



Chipsmall Limited consists of a professional team with an average of over 10 year of expertise in the distribution of electronic components. Based in Hongkong, we have already established firm and mutual-benefit business relationships with customers from,Europe,America and south Asia,supplying obsolete and hard-to-find components to meet their specific needs.

With the principle of “Quality Parts,Customers Priority,Honest Operation,and Considerate Service”,our business mainly focus on the distribution of electronic components. Line cards we deal with include Microchip,ALPS,ROHM,Xilinx,Pulse,ON,Everlight and Freescale. Main products comprise IC,Modules,Potentiometer,IC Socket,Relay,Connector.Our parts cover such applications as commercial,industrial, and automotives areas.

We are looking forward to setting up business relationship with you and hope to provide you with the best service and solution. Let us make a better world for our industry!



## Contact us

Tel: +86-755-8981 8866 Fax: +86-755-8427 6832

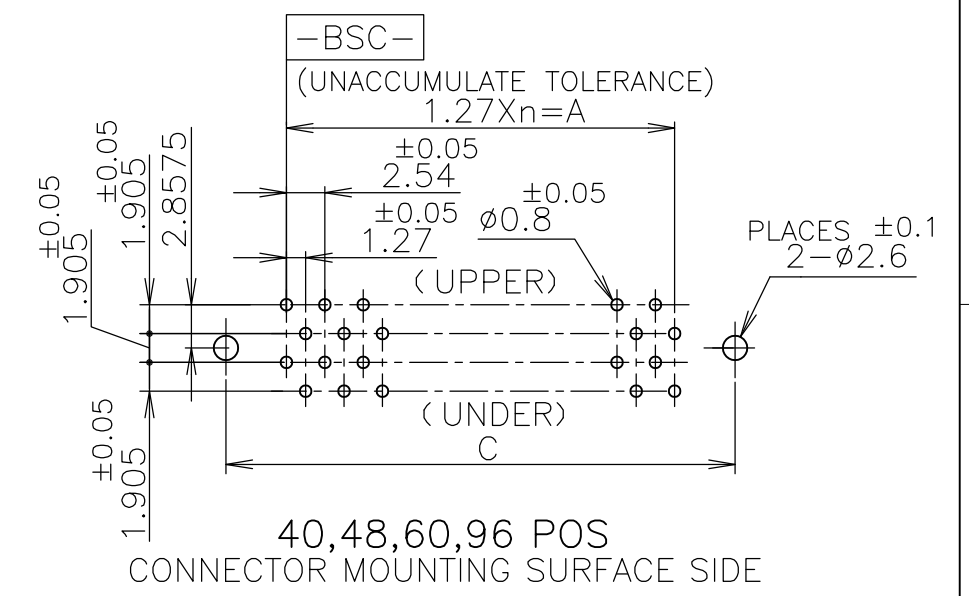
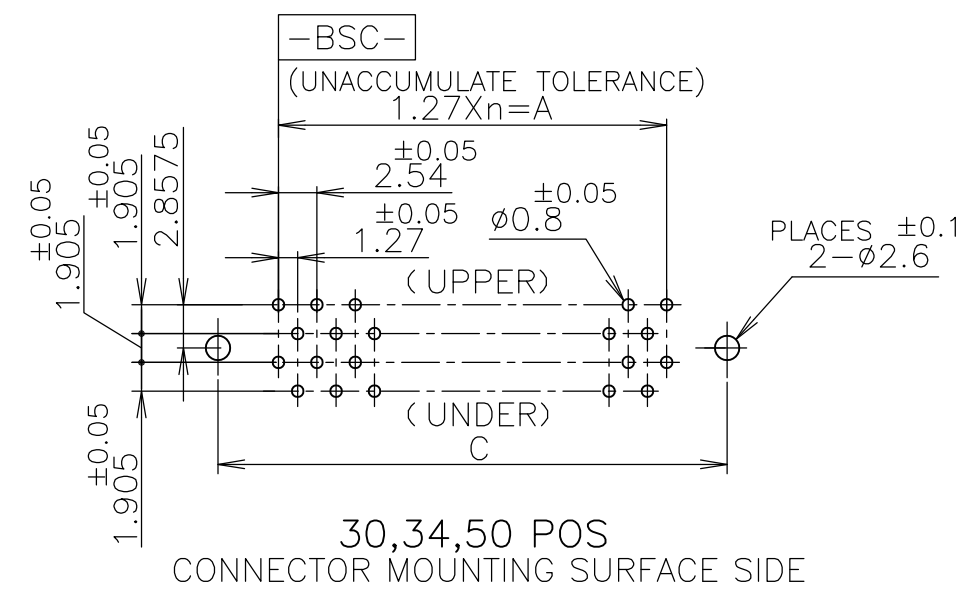
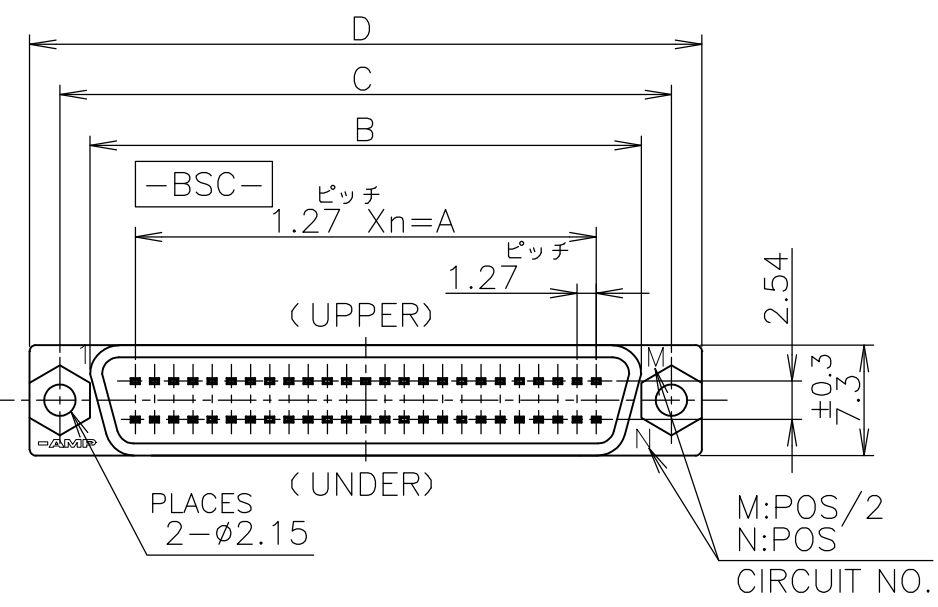
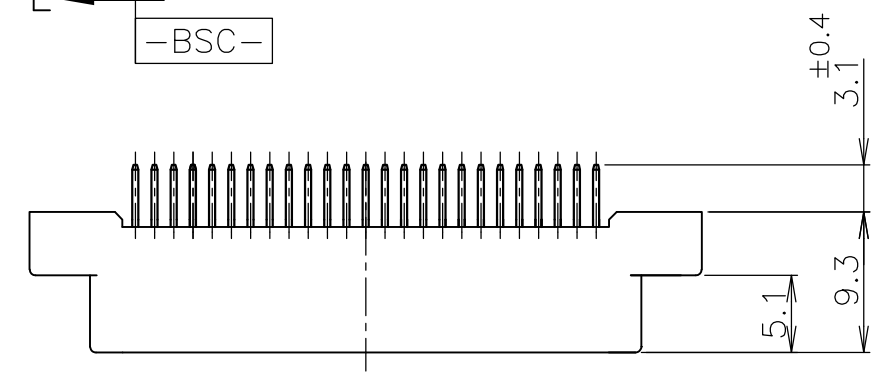
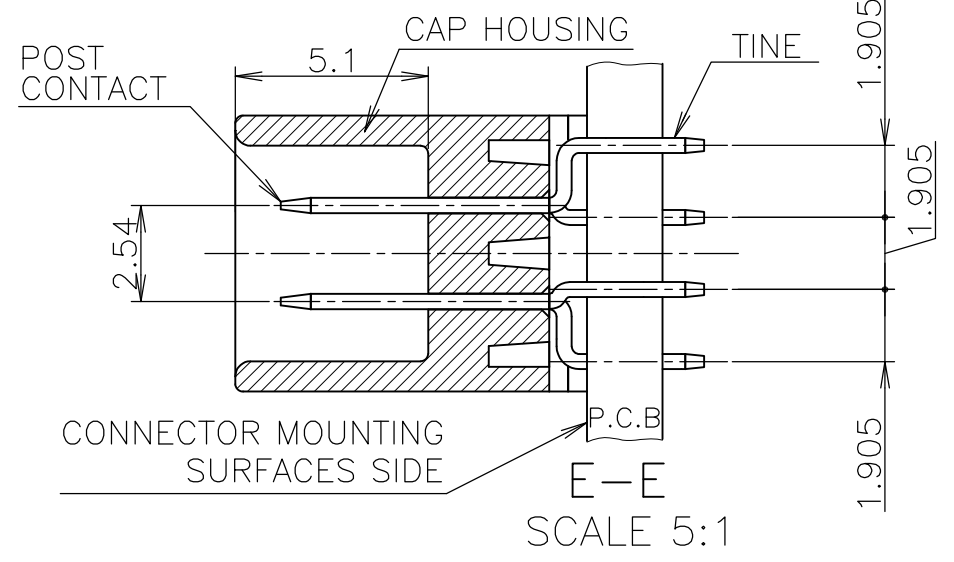
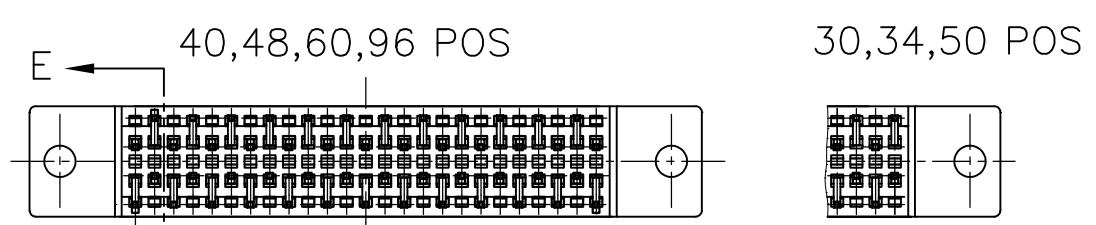
Email & Skype: info@chipsmall.com Web: www.chipsmall.com

Address: A1208, Overseas Decoration Building, #122 Zhenhua RD., Futian, Shenzhen, China



THIS DRAWING IS UNPUBLISHED. RELEASED FOR PUBLICATION OCT, 1984.  
 © COPYRIGHT 1984 By - ALL RIGHTS RESERVED.

LOC	DIST	REVISIONS					
J	/	P	LTR	DESCRIPTION	DATE	DWN	APVD
		A2		REVISED PER ECO-11-005030	11MAR11	RK	HMR



- 1 USE A P.C.B. WHOSE SURFACES ARE TREATED WITH SOLDER RESIST.
  - 2 SHOW P.C.B LAYOUT FROM THE CONNECTOR-MOUNTING SURFACE SIDE.
  - 3 NUMBER THE CONTACTS IN THE P.C.B OR CONNECTOR CONSECUTIVELY FROM THE **-BSC-** SIDE.
  - 4 WHEN SCREWING THE CONNECTOR TO THE P.C.B, USE M2 SCREW, NUT AND WASHERS.
- ⑤ HOUSING MATERIAL : THERMOPLASTICS (UL94-V0). COLOR:BLACK
  - ⑥ CONTACT MATERIAL : COPPER ALLOY
  - ⑦ FINISH : NICKEL 1.27μ MIN THK. OVERALL SELECTIVE GOLD 0.2μ MIN THK ON CONTACT AREA AND TIN 1μ MIN THK ON TINE AREA.
  - ⑧ OBSOLETE PARTS: OBSOLETE CIS STREAMLINING PER D.RENAUD/D.SINISI

OBSOLETE	-8	96	47	59.69	65.66	69.66	73.66
	-6	48	23	29.21	35.18	39.18	43.18
OBSOLETE	-5	34	16	20.32	26.29	30.29	34.29
	-4	60	29	36.83	42.80	46.80	50.80
	-3	50	24	30.48	36.45	40.45	44.45
	-2	40	19	24.13	30.10	34.10	38.10
	5173280-1	30	14	17.78	23.75	27.75	31.75
P/N	POS	n	A	B	C	D	

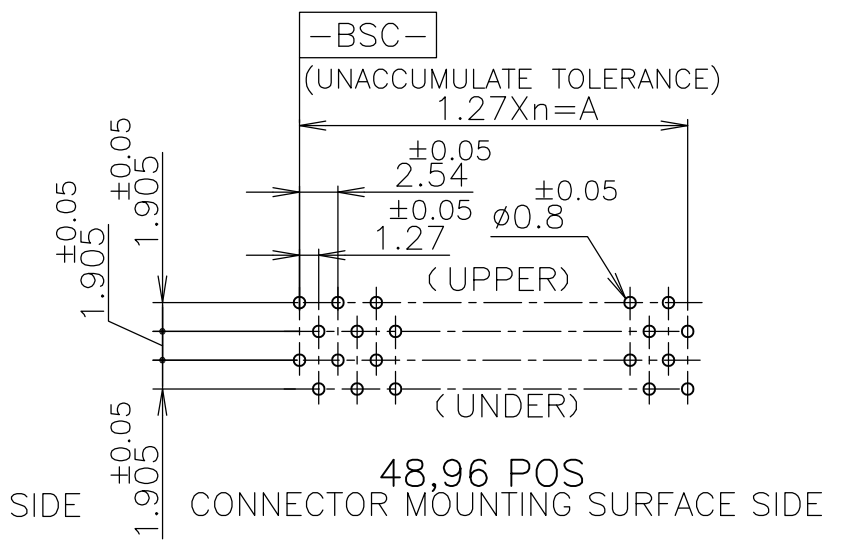
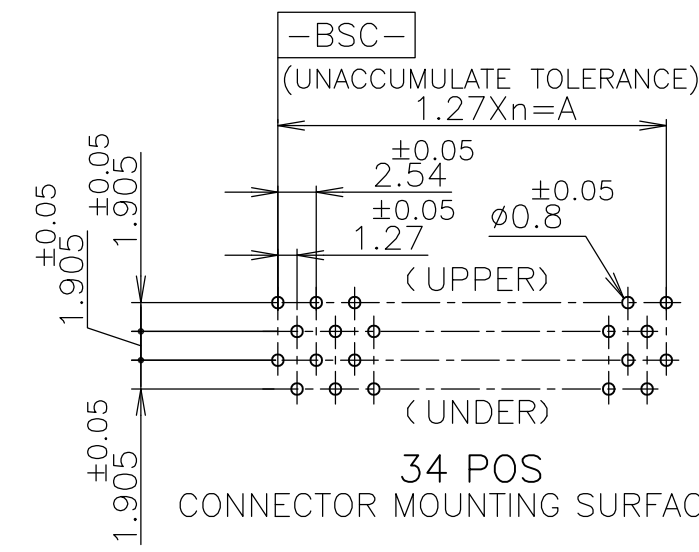
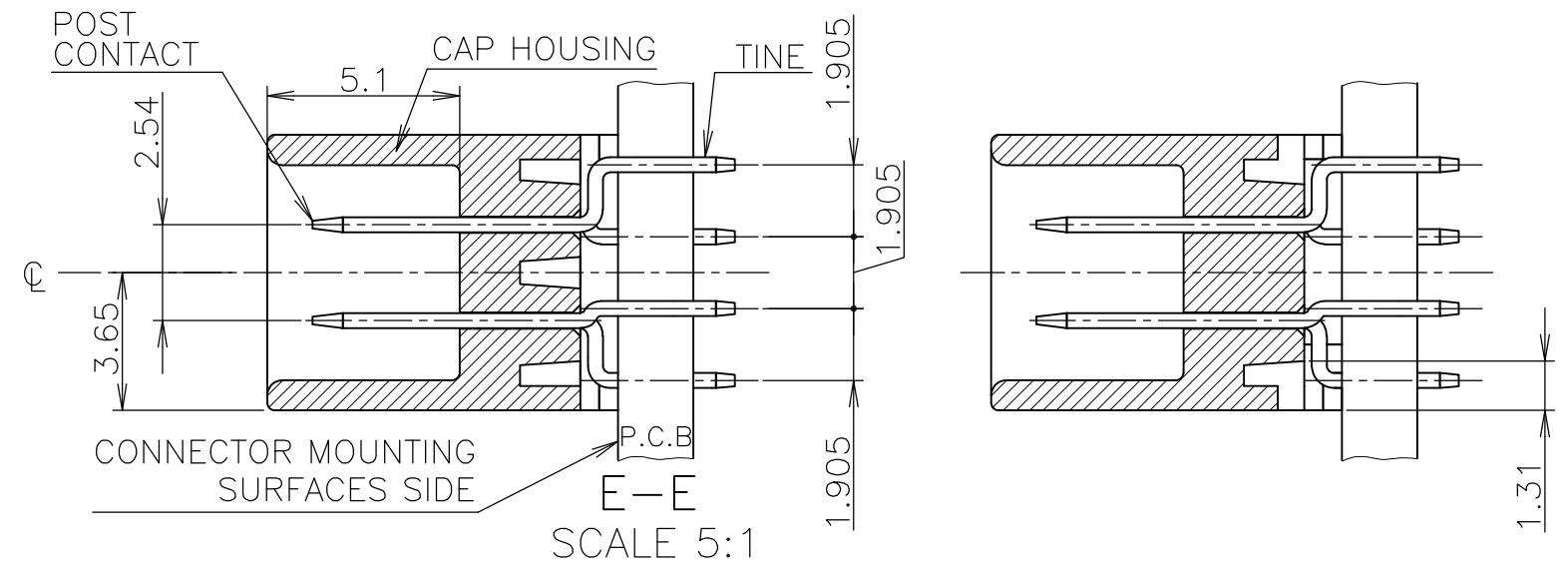
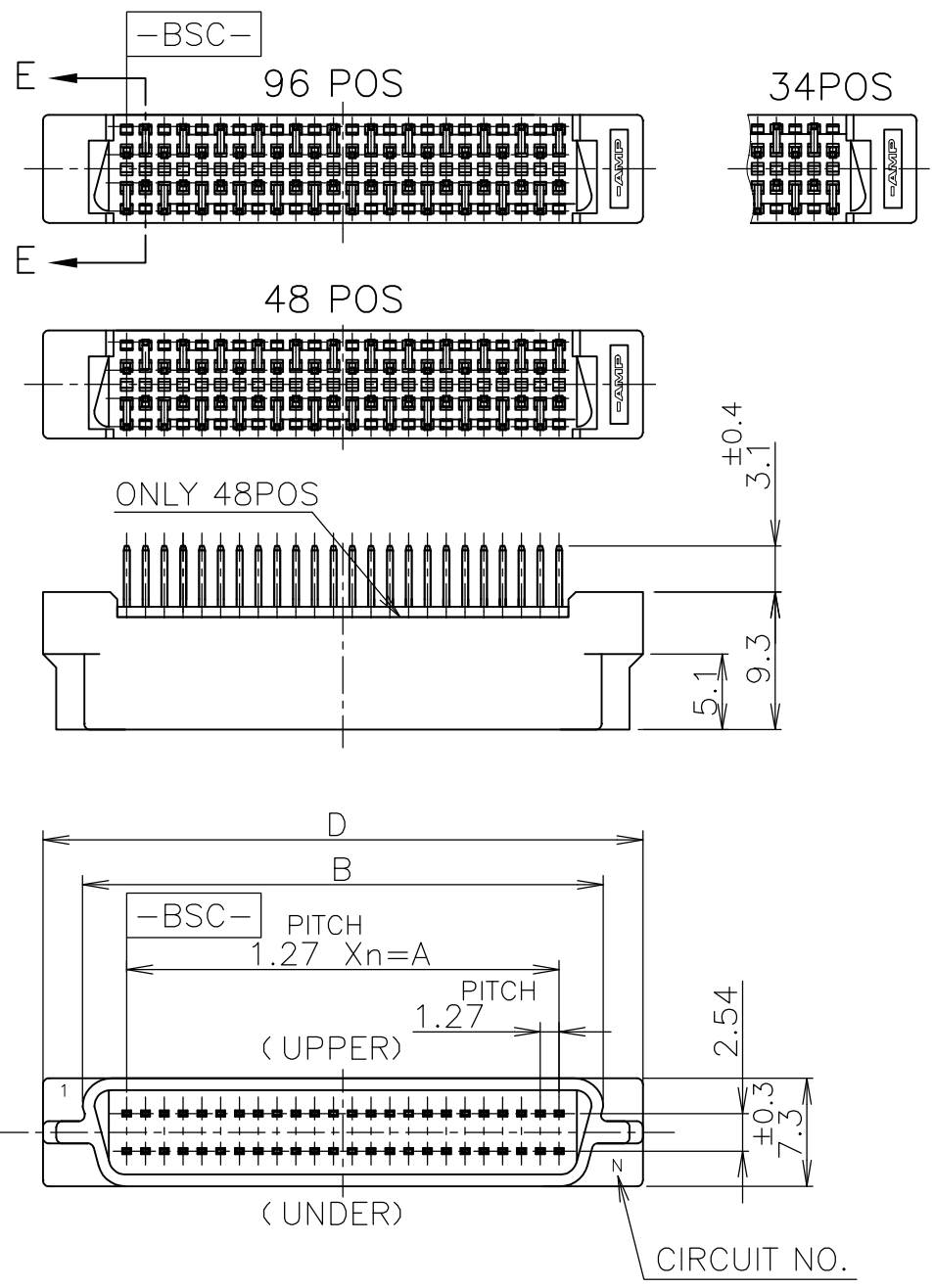
GENERAL TOLERANCE	
一般公差	
10 ≥	±0.2
30 ≥ > 10	±0.25
100 ≥ > 30	±0.3
ANGLES: ±3°	

THIS DRAWING IS A CONTROLLED DOCUMENT.	
DIMENSIONS: 単位: 耗 MM	TOLERANCES UNLESS OTHERWISE SPECIFIED: 一般公差
	0 PLC ± -
	1 PLC ± -
	2 PLC ± -
	3 PLC ± -
4 PLC ± -	
ANGLES ± -	
MATERIAL 材料	FINISH 仕上
参照 - ⑤ ⑥	参照 - ⑦

DWN T.KAWAMAE	01APR05	TE Connectivity	
CHK I.ENOMOTO	01APR05		
APVD I.ENOMOTO	01APR05	NAME 名称	
PRODUCT SPEC 製品規格	108-60036	CAP ASSY VERTICAL AMPLIMITE 050 SERIES I B-TO-B CONN.	
APPLICATION SPEC 取付適用規格		SIZE	CAGE CODE
WEIGHT		A3	00779
CUSTOMER DRAWING		DRAWING NO 番号	RESTRICTED TO
		C-5173280	-
		SCALE 尺度	SHEET
		2:1	1 OF 3
		REV	A2

THIS DRAWING IS UNPUBLISHED. RELEASED FOR PUBLICATION OCT, 1984.  
 © COPYRIGHT 1984 By - ALL RIGHTS RESERVED.

LOC	DIST	REVISIONS			DATE	DWN	APVD
J	/	P	LTR	DESCRIPTION			
		-	-	SEE SHEET 1	-	-	-



- USE A P.C.B. WHOSE SURFACES ARE TREATED WITH SOLDER RESIST.
- SHOW P.C.B LAYOUT FROM THE CONNECTOR-MOUNTING SURFACE SIDE.
- NUMBER THE CONTACTS IN THE P.C.B OR CONNECTOR CONSECUTIVELY FROM THE [-BSC-] SIDE.

- HOUSING MATERIAL : THERMOPLASTICS (UL94-V0). COLOR:BLACK
- CONTACT MATERIAL : COPPER ALLOY
- FINISH : NICKEL 1.27μ MIN THK. OVERALL SELECTIVE GOLD 0.2μ MIN THK ON CONTACT AREA AND TIN 1μ MIN THK ON TINE AREA.

GENERAL TOLERANCE	
10 ≥ :	±0.2
30 ≥ > 10:	±0.25
100 ≥ > 30:	±0.3
ANGLES: ±3°	

THIS DRAWING IS A CONTROLLED DOCUMENT.

DIMENSIONS: 單位: 耗 MM	TOLERANCES UNLESS OTHERWISE SPECIFIED: 一般公差
	0 PLC ± -
	1 PLC ± -
	2 PLC ± -
	3 PLC ± -
	4 PLC ± -
	ANGLES ± -
MATERIAL 材料	FINISH 仕上
SEE-④ ⑤	SEE-⑥

DWN	-
CHK	-
APVD	-
PRODUCT SPEC	製品規格
APPLICATION SPEC	取付適用規格
WEIGHT	-

2-	-8	96	47	59.69	65.66	71.00
2-	-6	48	23	29.21	35.18	40.52
2-5173280-5		34	16	20.32	26.29	31.63
P/N	極数	n	A	B	D	

**STE** TE Connectivity

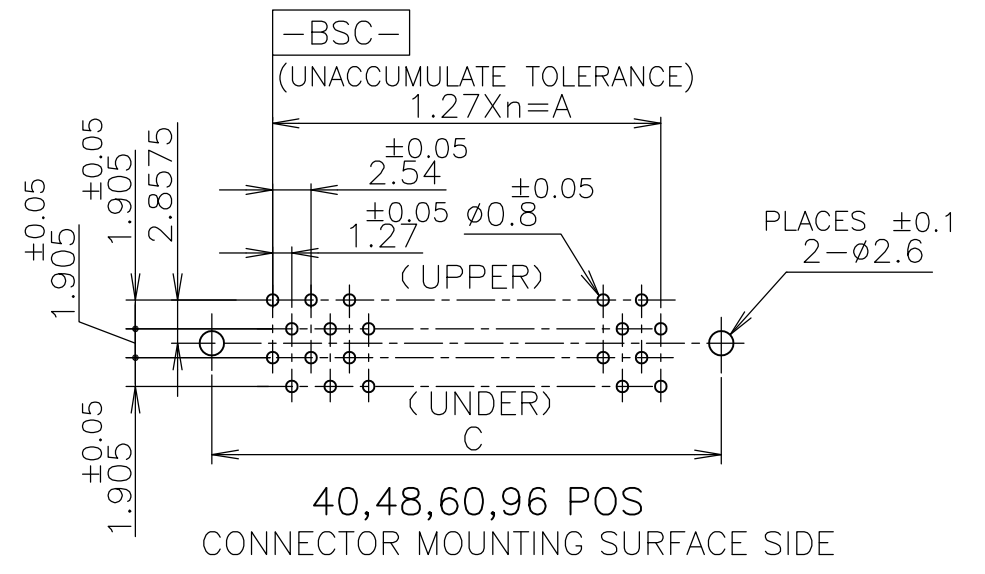
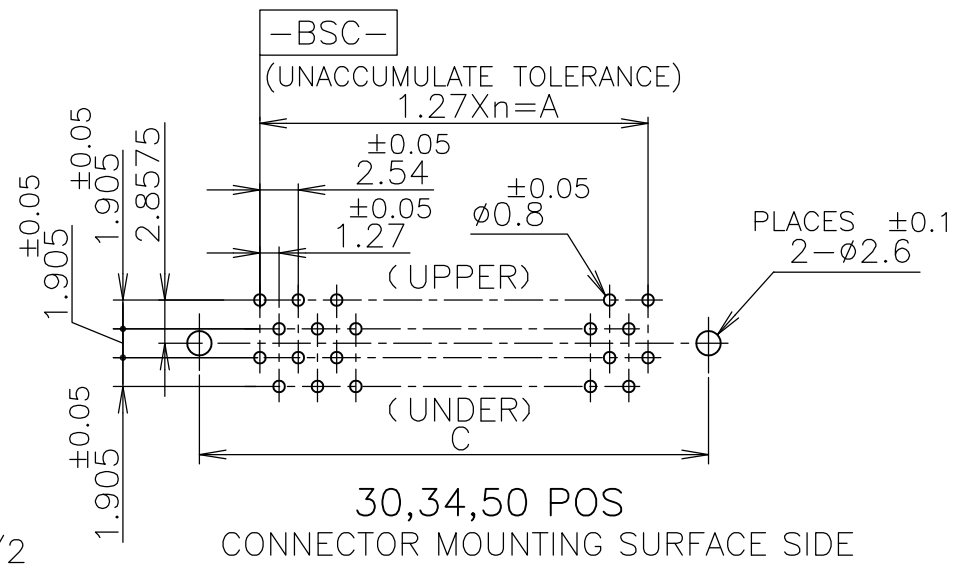
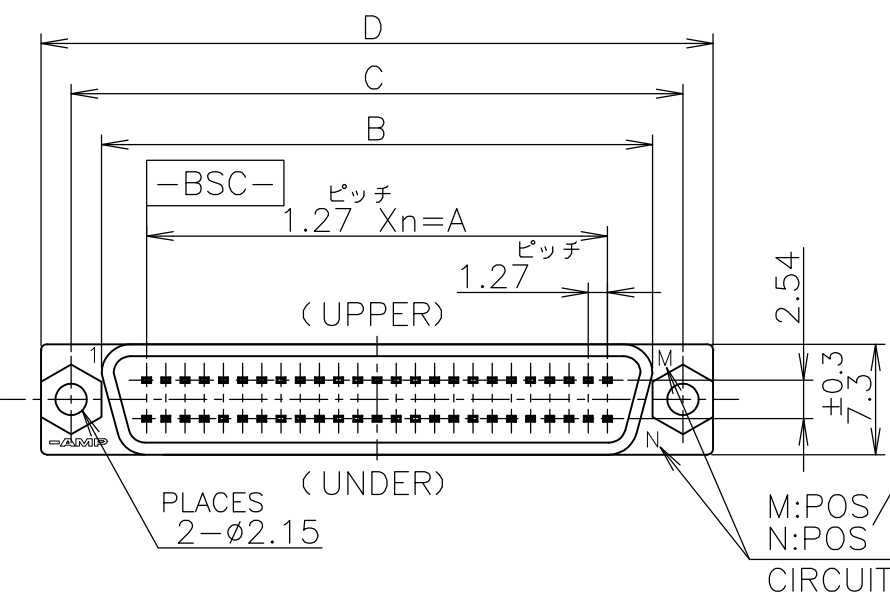
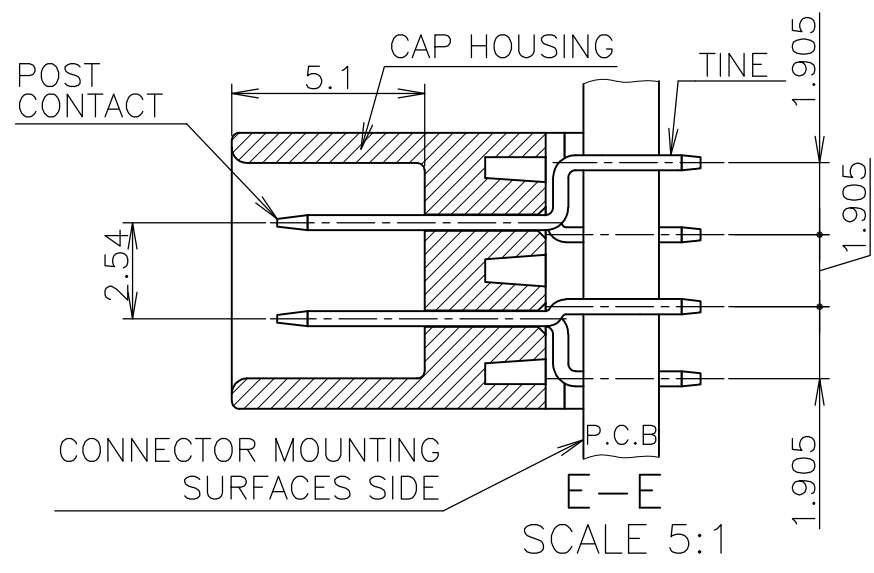
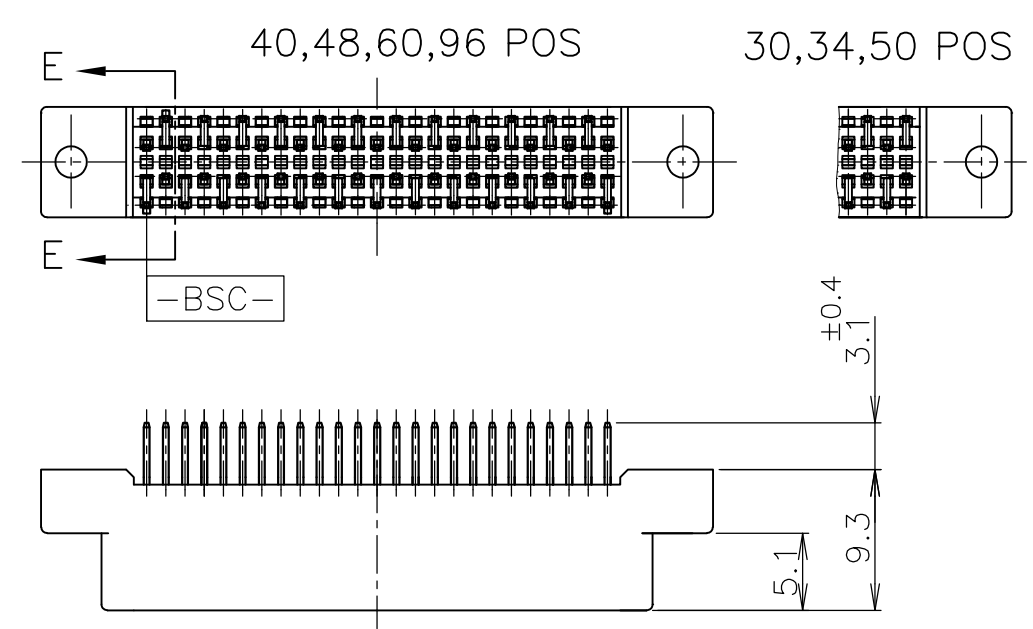
CAP ASSY VERTICAL  
AMPLIMITE .050 SERIES I B-TO-B CONN.

SIZE	CAGE CODE	DRAWING NO	RESTRICTED TO
A3	00779	C-5173280	-

CUSTOMER DRAWING SCALE 2:1 SHEET 2 OF 3 REV A2

THIS DRAWING IS UNPUBLISHED. RELEASED FOR PUBLICATION OCT, 1984.  
 © COPYRIGHT 1984 By - ALL RIGHTS RESERVED.

LOC	DIST	REVISIONS			DATE	DWN	APVD
J	/	P	LTR	DESCRIPTION			
		-		SEE SHEET 1	-	-	-



- USE A P.C.B. WHOSE SURFACES ARE TREATED WITH SOLDER RESIST.
- SHOW P.C.B LAYOUT FROM THE CONNECTOR-MOUNTING SURFACE SIDE.
- NUMBER THE CONTACTS IN THE P.C.B OR CONNECTOR CONSECUTIVELY FROM THE [-BSC-] SIDE.
- WHEN SCREWING THE CONNECTOR TO THE P.C.B, USE M2 SCREW, NUT AND WASHERS.
- HOUSING MATERIAL : THERMOPLASTICS (UL94-V0). COLOR:BLACK
- CONTACT MATERIAL : COPPER ALLOY
- FINISH : NICKEL 1.27µ MIN THK. OVERALL SELECTIVE GOLD 0.76µ MIN THK ON CONTACT AREA AND TIN 1µ MIN THK ON TINE AREA.

6-	-8	96	47	59.69	65.66	69.66	73.66
6-	-6	48	23	29.21	35.18	39.18	43.18
6-	-5	34	16	20.32	26.29	30.29	34.29
6-	-4	60	29	36.83	42.80	46.80	50.80
6-	-3	50	24	30.48	36.45	40.45	44.45
6-	-2	40	19	24.13	30.10	34.10	38.10
6-5173280-1		30	14	17.78	23.75	27.75	31.75
P/N		POS	n	A	B	C	D

GENERAL TOLERANCE 一般公差

10 ≥	±0.2
30 ≥ > 10	±0.25
100 ≥ > 30	±0.3
ANGLES: ±3°	

THIS DRAWING IS A CONTROLLED DOCUMENT.

DIMENSIONS: 単位: 耗 MM

TOLERANCES UNLESS OTHERWISE SPECIFIED: 一般公差

0 PLC	± -
1 PLC	± -
2 PLC	± -
3 PLC	± -
4 PLC	± -
ANGLES	± -

MATERIAL 材料 SEE 参照 - 5 6

FINISH 仕上 SEE 参照 - 7

DWN -

CHK -

APVD -

PRODUCT SPEC 製品規格

APPLICATION SPEC 取付適用規格

WEIGHT

CUSTOMER DRAWING

SCALE 尺度 2:1

SHEET 3 OF 3

REV A2

RESTRICTED TO

NAME 名称 CAP ASSY VERTICAL AMPLIMITE .050 SERIES I B-TO-B CONN.

SIZE A3

CAGE CODE 00779

DRAWING NO 番号 C-5173280