



Chipsmall Limited consists of a professional team with an average of over 10 year of expertise in the distribution of electronic components. Based in Hongkong, we have already established firm and mutual-benefit business relationships with customers from,Europe,America and south Asia,supplying obsolete and hard-to-find components to meet their specific needs.

With the principle of “Quality Parts,Customers Priority,Honest Operation,and Considerate Service”,our business mainly focus on the distribution of electronic components. Line cards we deal with include Microchip,ALPS,ROHM,Xilinx,Pulse,ON,Everlight and Freescale. Main products comprise IC,Modules,Potentiometer,IC Socket,Relay,Connector.Our parts cover such applications as commercial,industrial, and automotives areas.

We are looking forward to setting up business relationship with you and hope to provide you with the best service and solution. Let us make a better world for our industry!



## Contact us

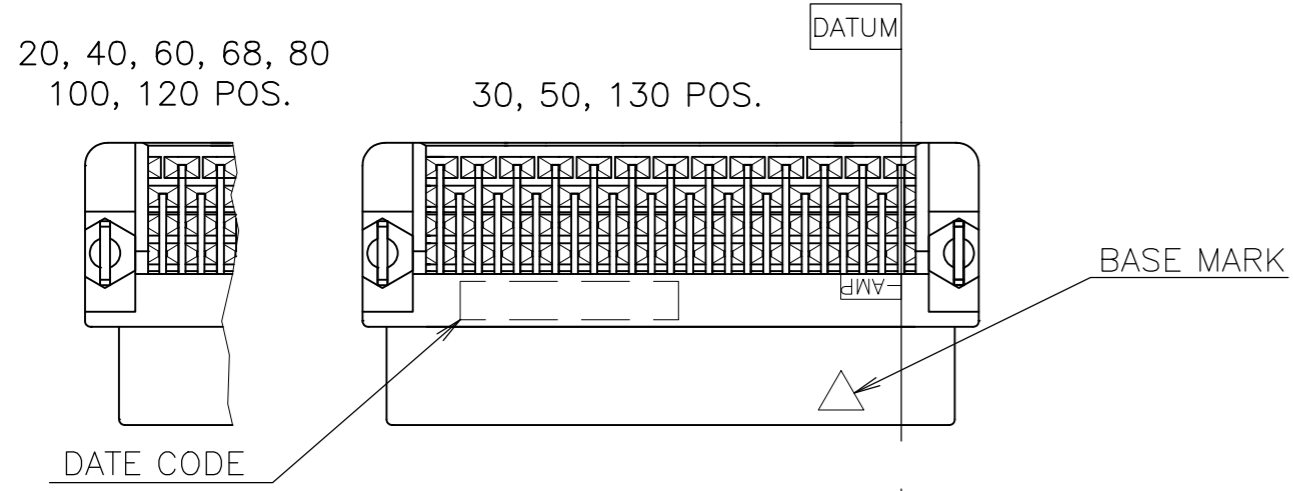
Tel: +86-755-8981 8866 Fax: +86-755-8427 6832

Email & Skype: info@chipsmall.com Web: www.chipsmall.com

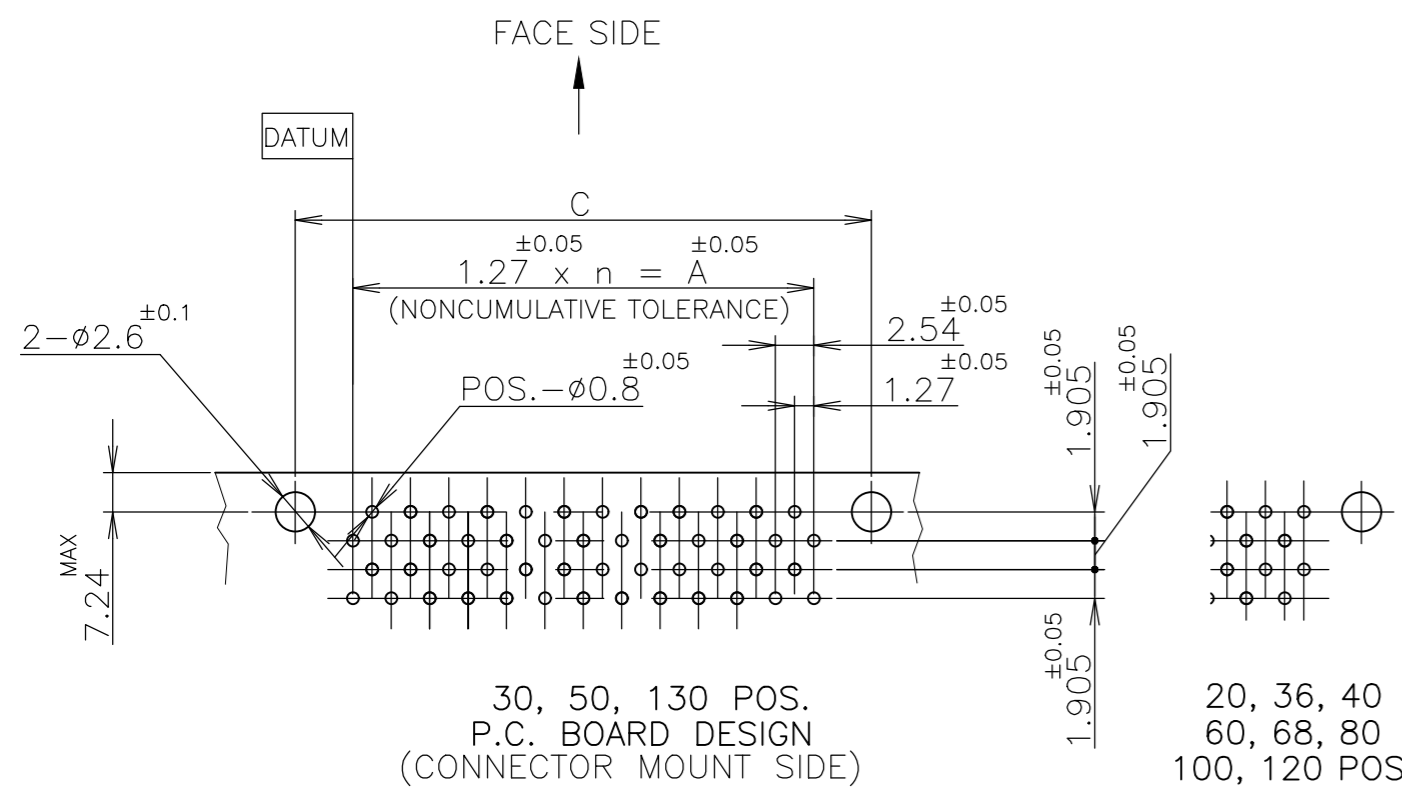
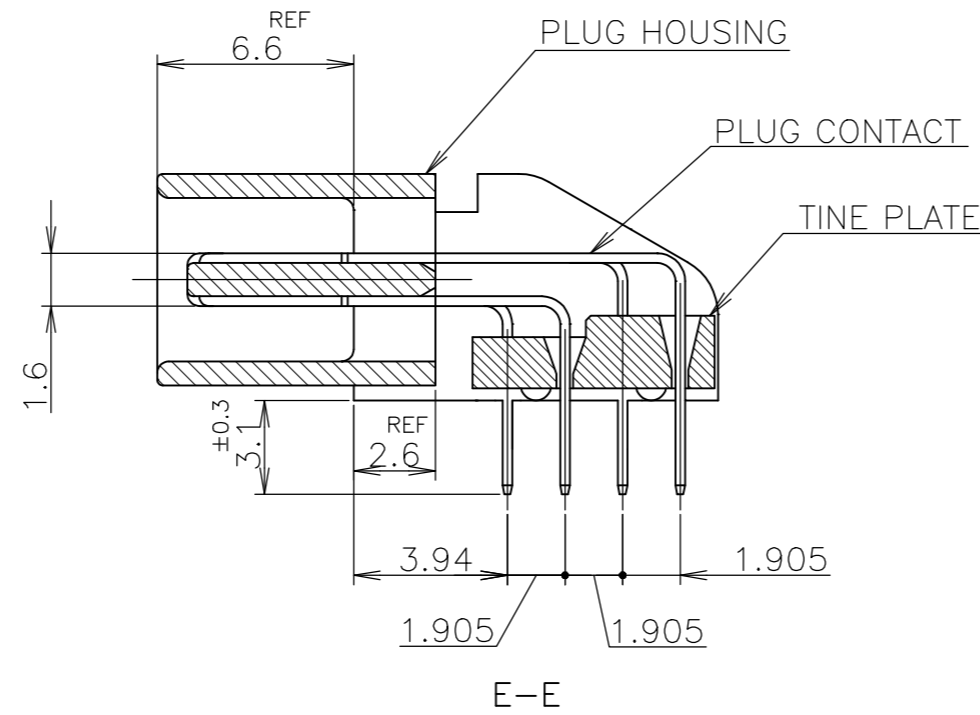
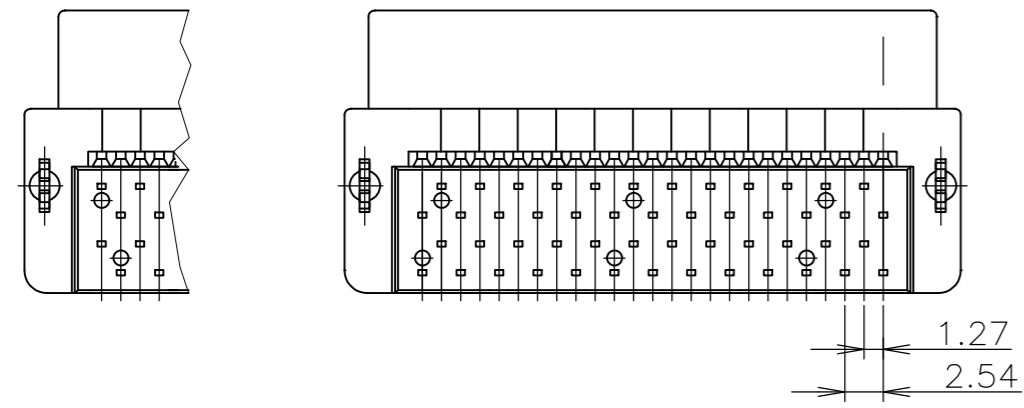
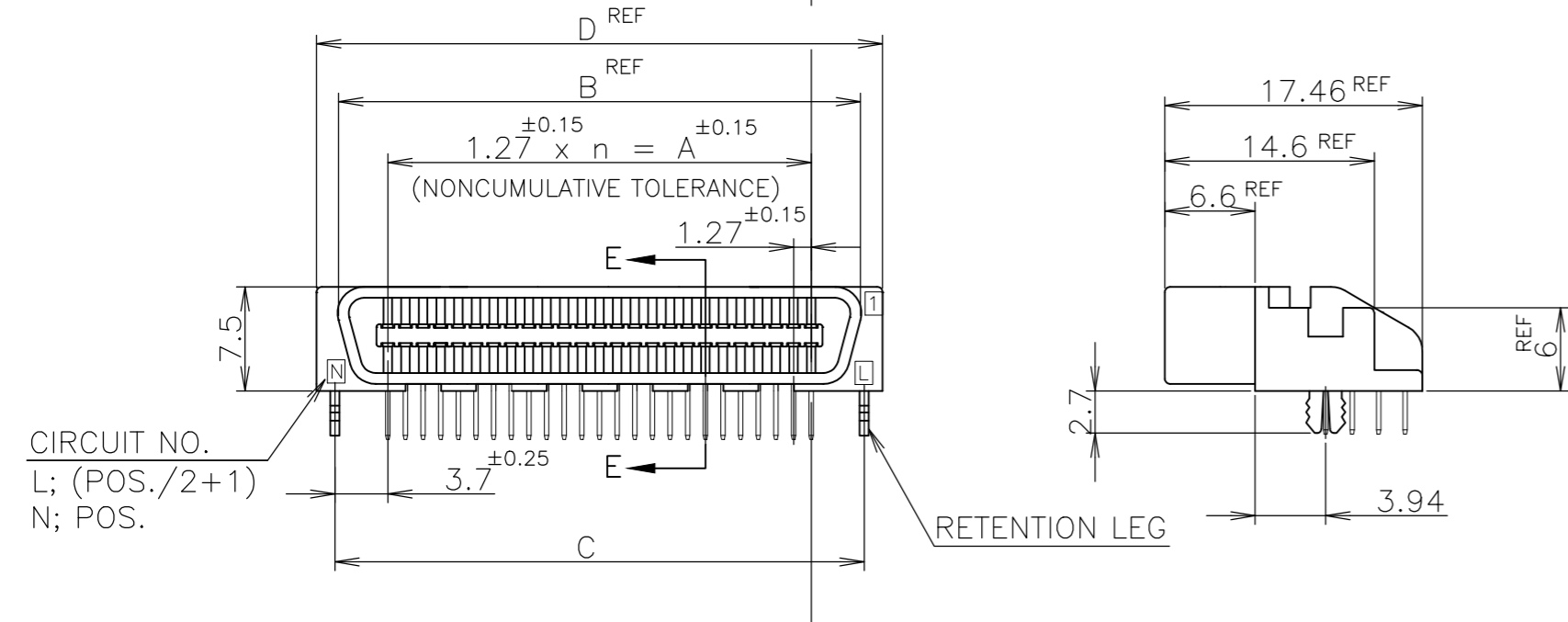
Address: A1208, Overseas Decoration Building, #122 Zhenhua RD., Futian, Shenzhen, China



REVISIONS					
P	LTR	DESCRIPTION	DATE	DWN	APVD
C		REVISED PER ECO-17-008763	22JAN2018	RG	SH



- 1 NUMBER "n" IS COUNTED FROM DATUM (CIRCUIT NO.1 IS "AMP" MARK SIDE.)
- MATERIA: HOUSING, 66 NYLON (GF) UL 94V-0, BLACK.  
: CONTACT, PHOSPHOR BRONZE.  
: RETENTION LEG; BRASS.
- FINISH: CONTACT; Au AT CONTACT AREA (SEE TABLE), TIN AT TINE, OVER Ni.  
RETENTION LEG; TIN UNDER Ni.



OBSOLETE	6-	2		130	64	81.28	89.62	88.68	92.48
OBSOLETE	6-	1		120	59	74.93	83.27	82.33	86.13
	6-	-0		100	49	62.23	70.57	69.63	73.43
	5-	-9		80	39	49.53	57.87	56.93	60.73
	5-	-8		68	33	41.91	50.25	49.31	53.11
	5-	-7		60	29	36.83	45.17	44.23	48.03
	5-	-6		50	24	30.48	38.82	37.88	41.68
	5-	-5		40	19	24.13	32.47	31.53	35.33
	5-	-4		36	17	21.59	29.93	28.99	32.79
OBSOLETE	5-	-3		30	14	17.78	26.12	25.18	28.98
OBSOLETE	5-	-1	0.00076	20	9	11.43	19.77	18.83	22.63
OBSOLETE	4-	2		130	64	81.28	89.62	88.68	92.48
	4-	-1		120	59	74.93	83.27	82.33	86.13
	4-	-0		100	49	62.23	70.57	69.63	73.43
	3-	-9		80	39	49.53	57.87	56.93	60.73
	3-	-8		68	33	41.91	50.25	49.31	53.11
	3-	-7		60	29	36.83	45.17	44.23	48.03
	3-	-6		50	24	30.48	38.82	37.88	41.68
	3-	-5		40	19	24.13	32.47	31.53	35.33
OBSOLETE	3-	-4		36	17	21.59	29.93	28.99	32.79
	3-	-3		30	14	17.78	26.12	25.18	28.98
	3-	-1	0.0005	20	9	11.43	19.77	18.83	22.63
OBSOLETE	1-	2		130	64	81.28	89.62	88.68	92.48
	1-	-1		120	59	74.93	83.27	82.33	86.13
	1-	-0		100	49	62.23	70.57	69.63	73.43
OBSOLETE		-9		80	39	49.53	57.87	56.93	60.73
		-8		68	33	41.91	50.25	49.31	53.11
		-7		60	29	36.83	45.17	44.23	48.03
OBSOLETE		-6		50	24	30.48	38.82	37.88	41.68
OBSOLETE		-5		40	19	24.13	32.47	31.53	35.33
		-4		36	17	21.59	29.93	28.99	32.79
		-3		30	14	17.78	26.12	25.18	28.98
				20	9	11.43	19.77	18.83	22.63
				5175472-1	0.0002				
PART NO.	Au PLATE	POS.	n	A	B	C	D		

LEAD FREE

GENERAL TOLERANCE

10 ≥	±0.2
30 ≥ > 10:	±0.25
100 ≥ > 30:	±0.3
ANGLES:	±3°

THIS DRAWING IS A CONTROLLED DOCUMENT.

DWN: Julyee Zhu 18AUG2004	TE Connectivity Ltd.
CHK: Steven Yao 18AUG2004	
APVD: Ikuo Enomoto 18AUG2004	
NAME: 108-60038	
DIMENSIONS: mm	AMP CHAMP .050 CONNECTOR (B-T-B) PLUG CONNECTOR (HORIZONTAL WITH RETENTION LEG)
TOLERANCES UNLESS OTHERWISE SPECIFIED:	
MATERIAL: 2	SIZE: A2
FINISH: 3	CAGE CODE: 00779
	DRAWING NO: 5175472
	RESTRICTED TO:
	WEIGHT: 0.000000
	CUSTOMER DRAWING
	SCALE: NTS
	SHEET: 1 of 1
	REV: C