



Chipsmall Limited consists of a professional team with an average of over 10 year of expertise in the distribution of electronic components. Based in Hongkong, we have already established firm and mutual-benefit business relationships with customers from,Europe,America and south Asia,supplying obsolete and hard-to-find components to meet their specific needs.

With the principle of “Quality Parts,Customers Priority,Honest Operation,and Considerate Service”,our business mainly focus on the distribution of electronic components. Line cards we deal with include Microchip,ALPS,ROHM,Xilinx,Pulse,ON,Everlight and Freescale. Main products comprise IC,Modules,Potentiometer,IC Socket,Relay,Connector.Our parts cover such applications as commercial,industrial, and automotives areas.

We are looking forward to setting up business relationship with you and hope to provide you with the best service and solution. Let us make a better world for our industry!



Contact us

Tel: +86-755-8981 8866 Fax: +86-755-8427 6832

Email & Skype: info@chipsmall.com Web: www.chipsmall.com

Address: A1208, Overseas Decoration Building, #122 Zhenhua RD., Futian, Shenzhen, China



THIS DRAWING IS UNPUBLISHED.

RELEASED FOR PUBLICATION

OCT ,1995.

© COPYRIGHT 1995 By -

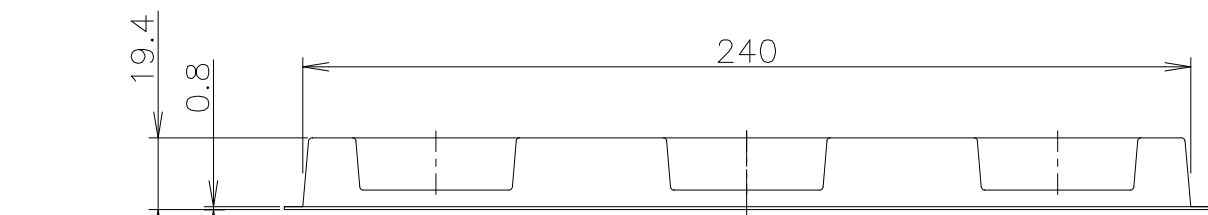
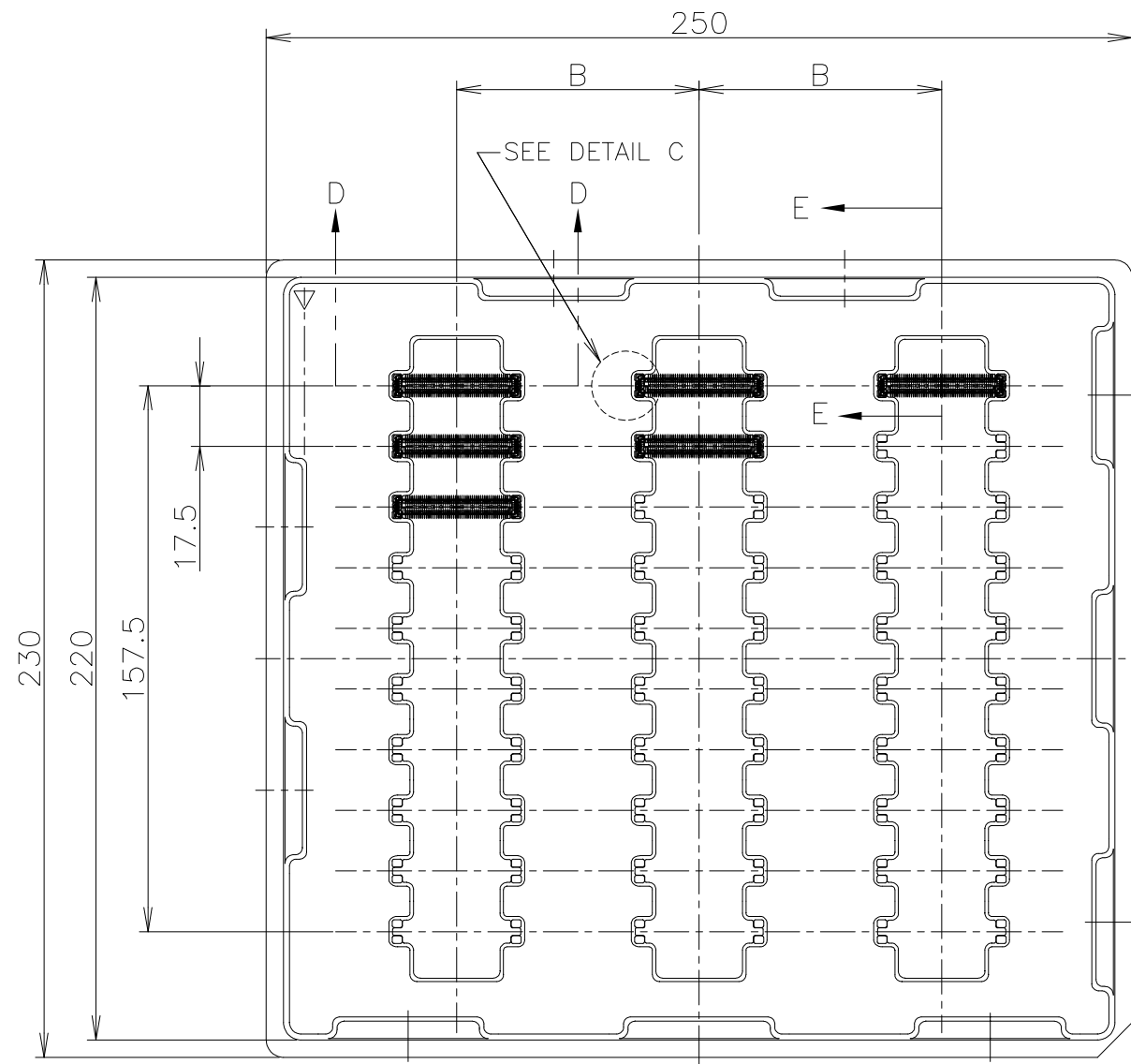
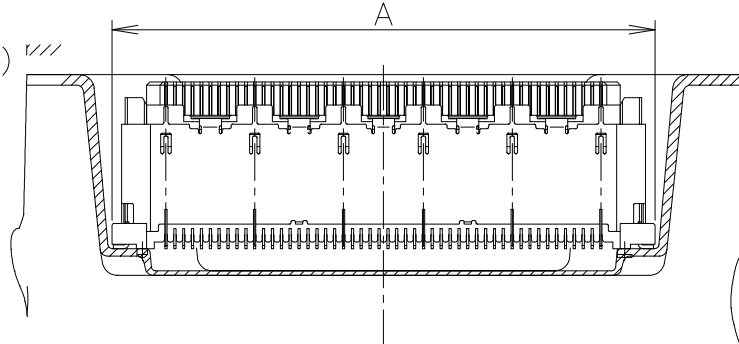
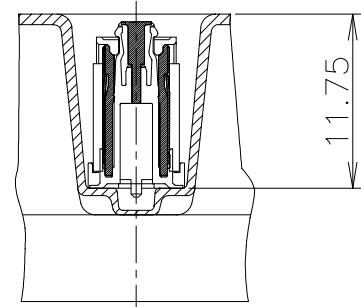
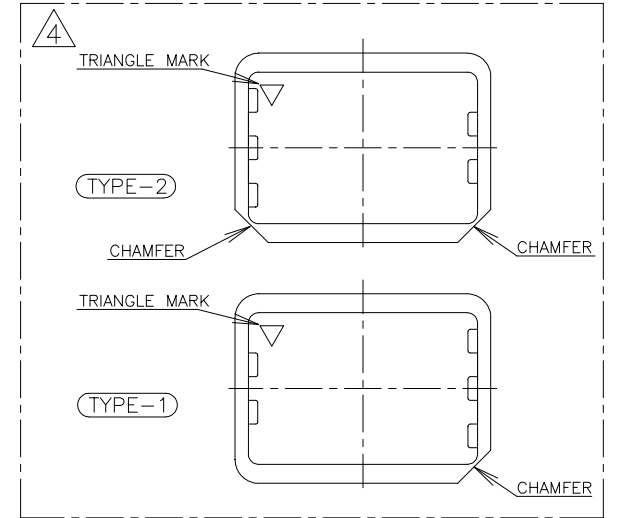
ALL RIGHTS RESERVED.

REVISIONS

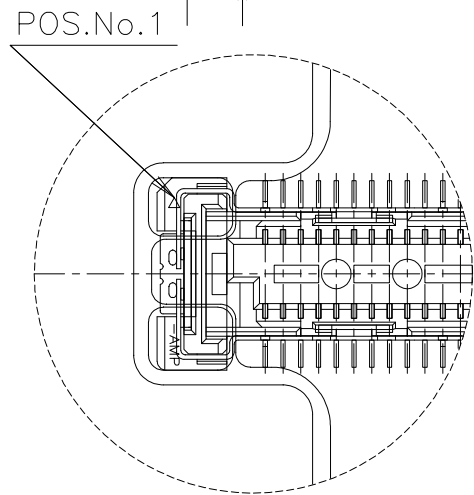
変更

P	LTR	DESCRIPTION	DATE	DWN	APVD
A		REVISED ECR-08-000340	01FEB08	T.T	T.F
A1		OBSOLETE PER ECO-16-011823	10AUG2016	B.J	S.Y

AS SHOWN: TYPE-1



SEALANT	TOOLING STATUS	ROW	QTY	B	A	POS.	TRAY P/N	PART NO.
(A) OBSOLETE	AVAILABLE	3	30	70	54.7	160	7-912063-9	6-5316564-1
	AVAILABLE	↑	↑	↑	48.7	140	7-912063-6	6-↑-0
	NOT AVAILABLE	↓	↓	↓	42.7	120	7-912067-1	5-↓-9
	↑	↓	↓	↓	36.7	100	7-↑-0	5-↓-8
	3	30	70	33.7	90	6-↓-9	5-↓-7	↓-7
	5	50	43	30.7	80	6-↓-8	5-↓-6	↓-6
	↑	↑	↑	27.7	70	6-↓-7	5-↓-5	↓-5
	↑	↑	↑	24.7	60	6-↓-6	5-↓-4	↓-4
	↑	↑	↑	21.7	50	6-↓-5	5-↓-3	↓-3
	↓	↓	↓	18.7	40	6-↓-4	5-↓-2	↓-2
	NOT AVAILABLE	5	50	43	15.7	30	6-912067-3	5-5316564-1
	AVAILABLE	3	30	70	54.7	160	7-912063-9	1-5316564-1
	AVAILABLE	↑	↑	↑	48.7	140	7-912063-6	1-↑-0
	NOT AVAILABLE	↓	↓	↓	42.7	120	7-912067-1	↓-9
	↑	↓	↓	↓	36.7	100	7-↑-0	↓-8
	3	30	70	33.7	90	6-↓-9	↓-7	↓-7
	5	50	43	30.7	80	6-↓-8	↓-6	↓-6
	↑	↑	↑	27.7	70	6-↓-7	↓-5	↓-5
	↑	↑	↑	24.7	60	6-↓-6	↓-4	↓-4
	↑	↑	↑	21.7	50	6-↓-5	↓-3	↓-3
	↓	↓	↓	18.7	40	6-↓-4	↓-2	↓-2
	NOT AVAILABLE	5	50	43	15.7	30	6-912067-3	5316564-1



△ TRAY TYPE-1 AND TYPE-2 MUST BE
 PILED UP BY TURNS.
 (REFER TO PACKING SPECIFICATIONS)

GENERAL TOLERANCE
 一般公差
 10 ≥ ±0.2
 30 ≥ >10: ±0.25
 100 ≥ >30: ±0.3
 ANGLES: ±3°

THIS DRAWING IS A CONTROLLED DOCUMENT.

DIMENSIONS:
 單位: 耗
 mm

TOLERANCES UNLESS
 OTHERWISE SPECIFIED:
 一般公差

0 PLC ±
 1 PLC ±
 2 PLC ±
 3 PLC ±
 4 PLC ±
 ANGLES ±

FINISH
 仕上

MATERIAL
 材料

DWN 20DEC04
 HAWKING HE

CHK 20DEC04
 STEVEN YAO

APVD 20DEC04
 I.ENOMOTO

PRODUCT SPEC
 製品規格
 108-60047

APPLICATION SPEC
 取付適用規格
 114-5255

WEIGHT

STE TE Connectivity

SOFT TRAY ASSY
 FH 0.6BTB CONNECTOR
 REC 12H W/G-CONT

SIZE A3 CAGE CODE 00779 DRAWING NO 5316564 RESTRICTED TO

CUSTOMER DRAWING SCALE 1:2 SHEET 1 OF 3 REV A1