



Chipsmall Limited consists of a professional team with an average of over 10 year of expertise in the distribution of electronic components. Based in Hongkong, we have already established firm and mutual-benefit business relationships with customers from,Europe,America and south Asia,supplying obsolete and hard-to-find components to meet their specific needs.

With the principle of “Quality Parts,Customers Priority,Honest Operation,and Considerate Service”,our business mainly focus on the distribution of electronic components. Line cards we deal with include Microchip,ALPS,ROHM,Xilinx,Pulse,ON,Everlight and Freescale. Main products comprise IC,Modules,Potentiometer,IC Socket,Relay,Connector.Our parts cover such applications as commercial,industrial, and automotives areas.

We are looking forward to setting up business relationship with you and hope to provide you with the best service and solution. Let us make a better world for our industry!



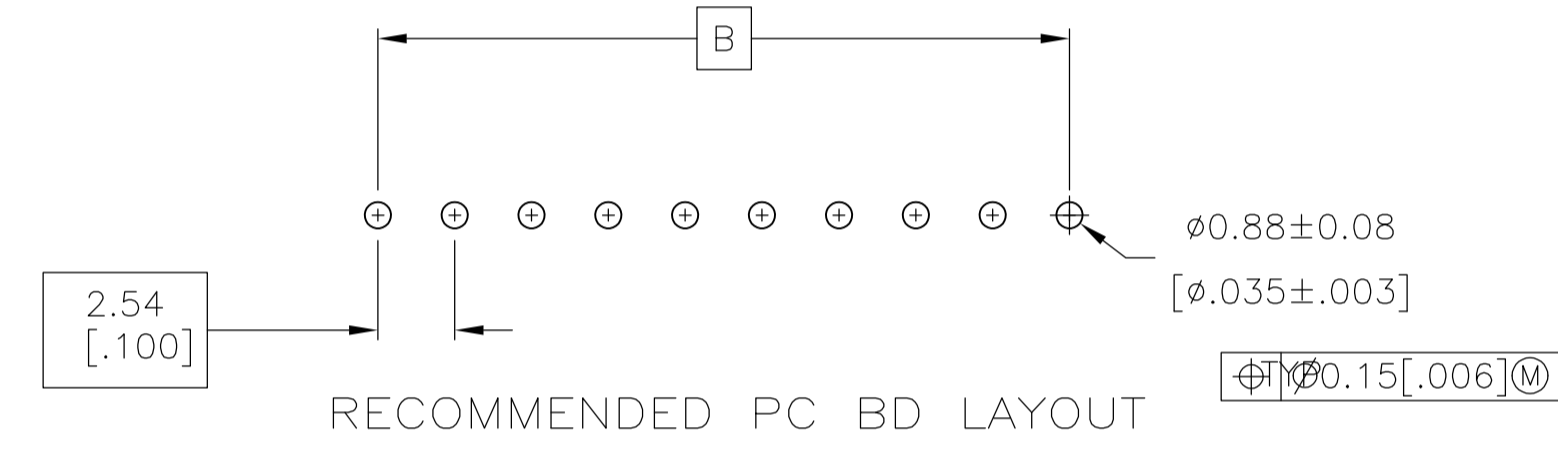
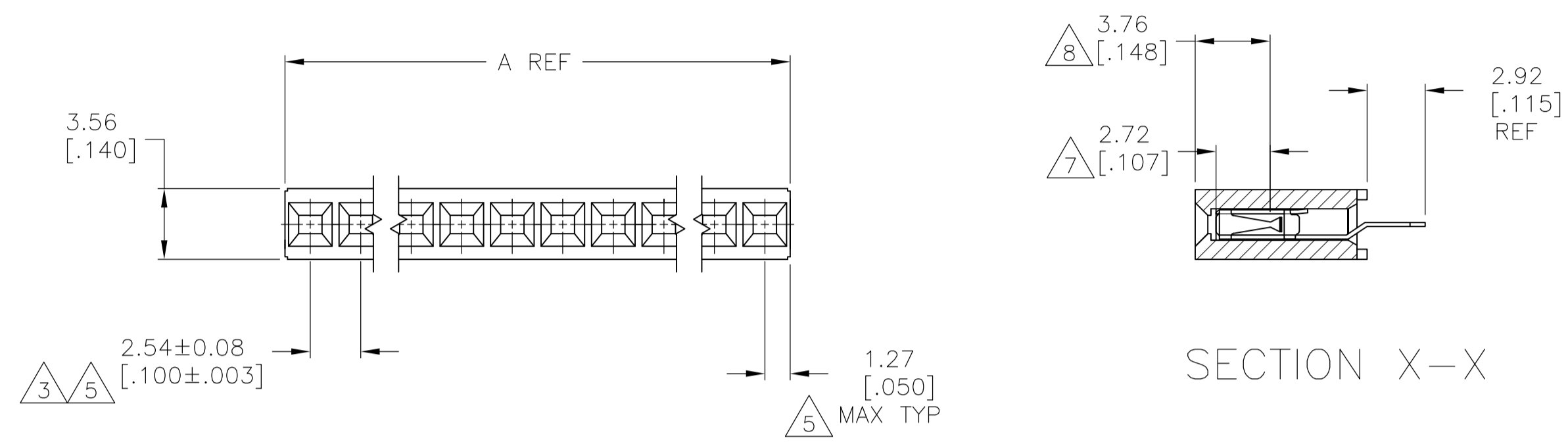
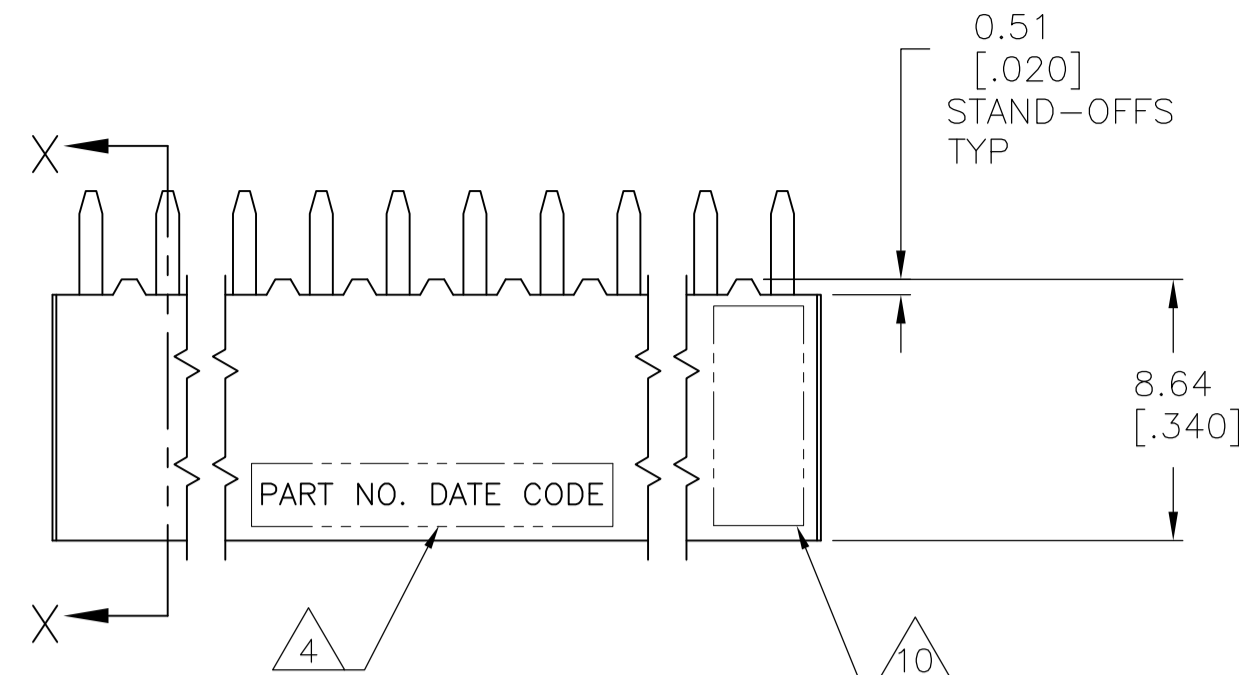
Contact us

Tel: +86-755-8981 8866 Fax: +86-755-8427 6832

Email & Skype: info@chipsmall.com Web: www.chipsmall.com

Address: A1208, Overseas Decoration Building, #122 Zhenhua RD., Futian, Shenzhen, China





6	9	OBSOLETE	2.54 [.100]	5.08 [.200]	2	12	8-534237-9
			99.06 [3.900]	101.60 [4.000]	40	12	8-534237-8
			96.52 [3.800]	99.06 [3.900]	39	12	8-534237-7
			93.98 [3.700]	96.52 [3.800]	38	12	8-534237-6
			91.44 [3.600]	93.98 [3.700]	37	12	8-534237-5
			88.90 [3.500]	91.44 [3.600]	36	12	8-534237-4
			86.36 [3.400]	88.90 [3.500]	35	12	8-534237-3
			83.82 [3.300]	86.36 [3.400]	34	12	8-534237-2
			81.28 [3.200]	83.82 [3.300]	33	12	8-534237-1
			78.74 [3.100]	81.28 [3.200]	32	12	8-534237-0
			76.20 [3.000]	78.74 [3.100]	31	12	7-534237-9
			73.66 [2.900]	76.20 [3.000]	30	12	7-534237-8
			71.12 [2.800]	73.66 [2.900]	29	12	7-534237-7
			68.58 [2.700]	71.12 [2.800]	28	12	7-534237-6
			66.04 [2.600]	68.58 [2.700]	27	12	7-534237-5
			63.50 [2.500]	66.04 [2.600]	26	12	7-534237-4
			60.96 [2.400]	63.50 [2.500]	25	12	7-534237-3
			58.42 [2.300]	60.96 [2.400]	24	12	7-534237-2
			55.88 [2.200]	58.42 [2.300]	23	12	7-534237-1
			53.34 [2.100]	55.88 [2.200]	22	12	7-534237-0
			50.80 [2.000]	53.34 [2.100]	21	12	6-534237-9
			48.26 [1.900]	50.80 [2.000]	20	12	6-534237-8
			45.72 [1.800]	48.26 [1.900]	19	12	6-534237-7
			43.18 [1.700]	45.72 [1.800]	18	12	6-534237-6
			40.64 [1.600]	43.18 [1.700]	17	12	6-534237-5
			38.10 [1.500]	40.64 [1.600]	16	12	6-534237-4
			35.56 [1.400]	38.10 [1.500]	15	12	6-534237-3
			33.02 [1.300]	35.56 [1.400]	14	12	6-534237-2
			30.48 [1.200]	33.02 [1.300]	13	12	6-534237-1
			27.94 [1.100]	30.48 [1.200]	12	12	6-534237-0
			25.40 [1.000]	27.94 [1.100]	11	12	5-534237-9
			22.86 [.900]	25.40 [1.000]	10	12	5-534237-8
			20.32 [.800]	22.86 [.900]	9	12	5-534237-7
			17.78 [.700]	20.32 [.800]	8	12	5-534237-6
			15.24 [.600]	17.78 [.700]	7	12	5-534237-5
			12.70 [.500]	15.24 [.600]	6	12	5-534237-4
			10.16 [.400]	12.70 [.500]	5	12	5-534237-3
			7.62 [.300]	10.16 [.400]	4	12	5-534237-2
			5.08 [.200]	7.62 [.300]	3	12	5-534237-1
			B	A	NO OF POSN		PART NUMBER

9	OBSOLETE	2.54 [.100]	5.08 [.200]	2	12	3-534237-9
		99.06 [3.900]	101.60 [4.000]	40	12	3-534237-8
		96.52 [3.800]	99.06 [3.900]	39	12	3-534237-7
		93.98 [3.700]	96.52 [3.800]	38	12	3-534237-6
		91.44 [3.600]	93.98 [3.700]	37	12	3-534237-5
		88.90 [3.500]	91.44 [3.600]	36	12	3-534237-4
		86.36 [3.400]	88.90 [3.500]	35	12	3-534237-3
		83.82 [3.300]	86.36 [3.400]	34	12	3-534237-2
		81.28 [3.200]	83.82 [3.300]	33	12	3-534237-1
		78.74 [3.100]	81.28 [3.200]	32	12	3-534237-0
		76.20 [3.000]	78.74 [3.100]	31	12	2-534237-9
		73.66 [2.900]	76.20 [3.000]	30	12	2-534237-8
		71.12 [2.800]	73.66 [2.900]	29	12	2-534237-7
		68.58 [2.700]	71.12 [2.800]	28	12	2-534237-6
		66.04 [2.600]	68.58 [2.700]	27	12	2-534237-5
		63.50 [2.500]	66.04 [2.600]	26	12	2-534237-4
		60.96 [2.400]	63.50 [2.500]	25	12	2-534237-3
		58.42 [2.300]	60.96 [2.400]	24	12	2-534237-2
		55.88 [2.200]	58.42 [2.300]	23	12	2-534237-1
		53.34 [2.100]	55.88 [2.200]	22	12	2-534237-0
		50.80 [2.000]	53.34 [2.100]	21	12	1-534237-9
		48.26 [1.900]	50.80 [2.000]	20	12	1-534237-8
		45.72 [1.800]	48.26 [1.900]	19	12	1-534237-7
		43.18 [1.700]	45.72 [1.800]	18	12	1-534237-6
		40.64 [1.600]	43.18 [1.700]	17	12	1-534237-5
		38.10 [1.500]	40.64 [1.600]	16	12	1-534237-4
		35.56 [1.400]	38.10 [1.500]	15	12	1-534237-3
		33.02 [1.300]	35.56 [1.400]	14	12	1-534237-2
		30.48 [1.200]	33.02 [1.300]	13	12	1-534237-1
		27.94 [1.100]	30.48 [1.200]	12	12	1-534237-0
		25.40 [1.000]	27.94 [1.100]	11	12	534237-9
		22.86 [.900]	25.40 [1.000]	10	12	534237-8
		20.32 [.800]	22.86 [.900]	9	12	534237-7
		17.78 [.700]	20.32 [.800]	8	12	534237-6
		15.24 [.600]	17.78 [.700]	7	12	534237-5
		12.70 [.500]	15.24 [.600]	6	12	534237-4
		10.16 [.400]	12.70 [.500]	5	12	534237-3
		7.62 [.300]	10.16 [.400]	4	12	534237-2
		5.08 [.200]	7.62 [.300]	3	12	534237-1
			B	A	NO OF POSN	PART NUMBER

- 1 HOUSING: FLAME RETARDANT, GLASS FILLED, POLYESTER, COLOR: BLACK. CONTACT: PHOSPHOR BRONZE
- 2 CONTACT: DUPLEX PLATED 0.76µm[.000030] GOLD IN CONTACT AREA, 3.81-7.62µm[.000150-.000300] BRIGHT TIN-LEAD ON LEADS ALL OVER 1.27µm[.000050] MIN NICKEL
- 3 THESE DIMENSIONS PERTAIN TO CAVITY CENTERLINES ONLY - NOT TO CONTACT LOCATIONS
- 4 PART NUMBER AND DATE CODE MARKED IN APPROXIMATE LOCATION SHOWN, EITHER SIDE.
- 5 TOLERANCE IS NON-CUMULATIVE.
- 6 2 POSITION DATE CODE IS MARKED OPPOSITE SIDE OF TE CONNECTIVITY LOGO.
- 7 POINT-OF-MEASUREMENT DIMENSION FOR PLATING THICKNESS (INSIDE CONTACT BEAM).
- 8 POINT-OF-CONTACT DIMENSION.
- 9 NO PART NUMBER MARKING REQUIRED FOR THIS PART.
- 10 TE CONNECTIVITY LOGO AND CSA LOGO ARE MOLDED INTO HOUSING, THIS LOCATION.
- 11 CONTACT: DUPLEX PLATED 0.76µm[.000030] GOLD IN CONTACT AREA, 3.81-7.62µm[.000150-.000300] MATTE TIN ON LEADS ALL OVER 1.27µm[.000050] MIN NICKEL
- 12 ROHS 2002/95/EC COMPLIANT

THIS DRAWING IS A CONTROLLED DOCUMENT.

DIMENSIONS: mm [INCHES]	TOLERANCES UNLESS OTHERWISE SPECIFIED:	DIN M. BINNER OSNOV2	CSK J. JOLSON OSNOV2	APVD J. JOLSON OSNOV2	NAME
0. PLC ± -	1. PLC ± -	2. PLC ± 0.25[.010]	3. PLC ± 0.13[.005]	4. PLC ± -	ANGLES ± -
MATERIAL 1	FINISH SEE TABLE	WEIGHT -	SIZE A1	CAGE CODE 00779	DRAWING NO. 534237
CUSTOMER DRAWING		SCALE 4:1	SHEET 1 of 1	REV R5	

STE TE Connectivity

RECT. ASSY, MOD IV, SINGLE ROW, .100CL, VERTICAL BOARD MOUNT, CLOSED, TOP ENTRY, SHORT PNT. OF CONTACT