



Chipsmall Limited consists of a professional team with an average of over 10 year of expertise in the distribution of electronic components. Based in Hongkong, we have already established firm and mutual-benefit business relationships with customers from,Europe,America and south Asia,supplying obsolete and hard-to-find components to meet their specific needs.

With the principle of “Quality Parts,Customers Priority,Honest Operation,and Considerate Service”,our business mainly focus on the distribution of electronic components. Line cards we deal with include Microchip,ALPS,ROHM,Xilinx,Pulse,ON,Everlight and Freescale. Main products comprise IC,Modules,Potentiometer,IC Socket,Relay,Connector.Our parts cover such applications as commercial,industrial, and automotives areas.

We are looking forward to setting up business relationship with you and hope to provide you with the best service and solution. Let us make a better world for our industry!



Contact us

Tel: +86-755-8981 8866 Fax: +86-755-8427 6832

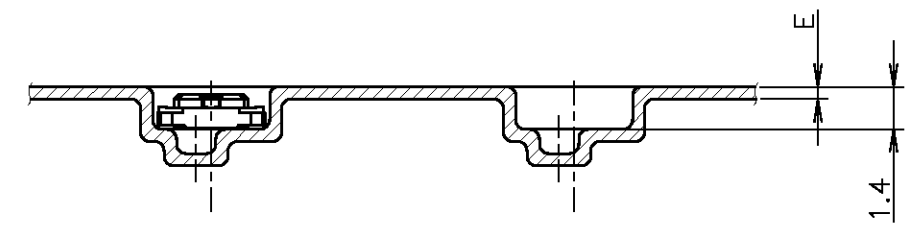
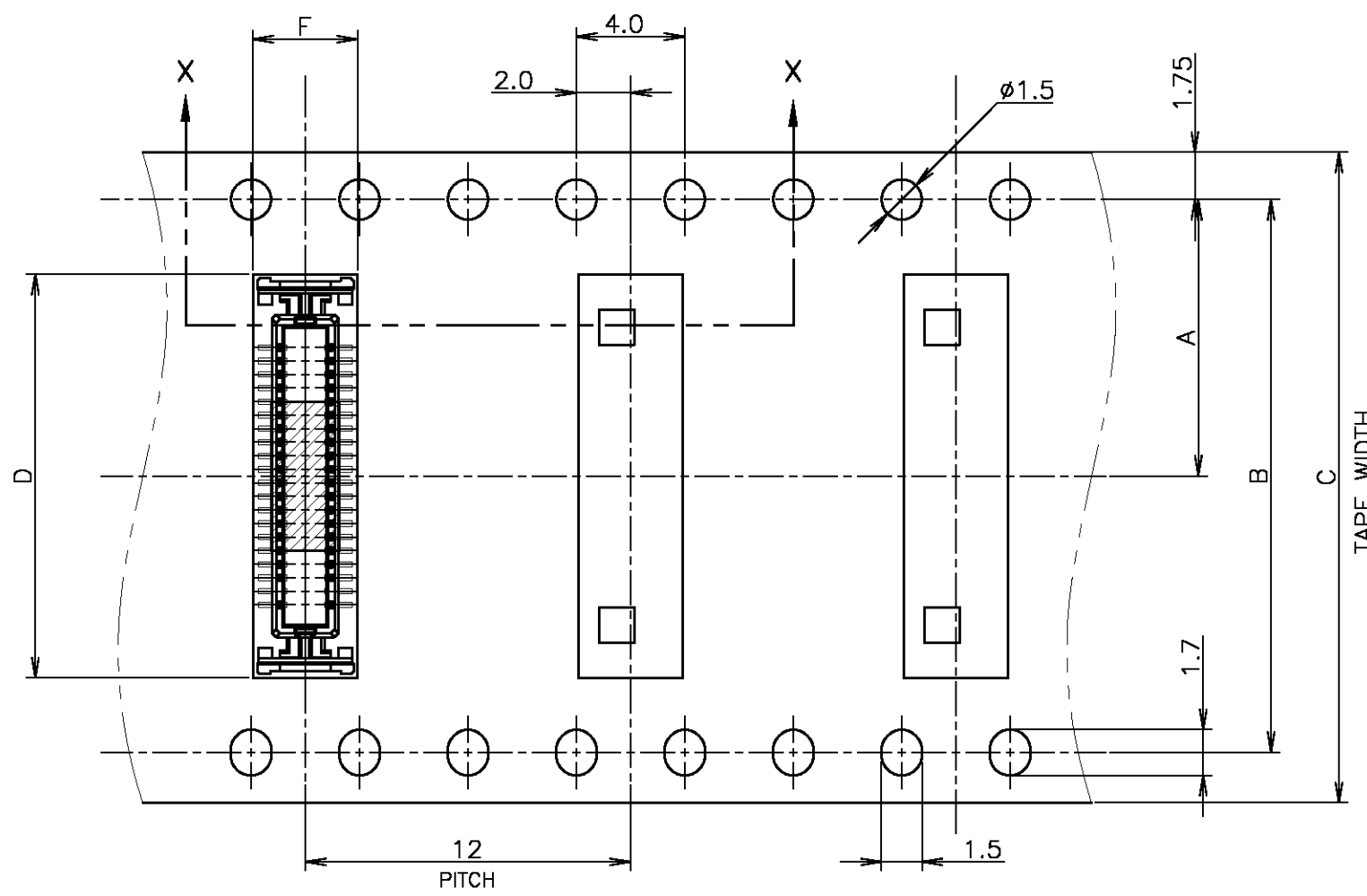
Email & Skype: info@chipsmall.com Web: www.chipsmall.com

Address: A1208, Overseas Decoration Building, #122 Zhenhua RD., Futian, Shenzhen, China



THIS DRAWING IS UNPUBLISHED. RELEASED FOR PUBLICATION NOV, 2004.
 © COPYRIGHT 2004 By -- ALL RIGHTS RESERVED.

LOC	DIST	REVISIONS					
J	/	P	LTR	DESCRIPTION	DATE	DWN	APVD
		G		REVISED PER ECR-11-002357	05MAY11	TT	TM

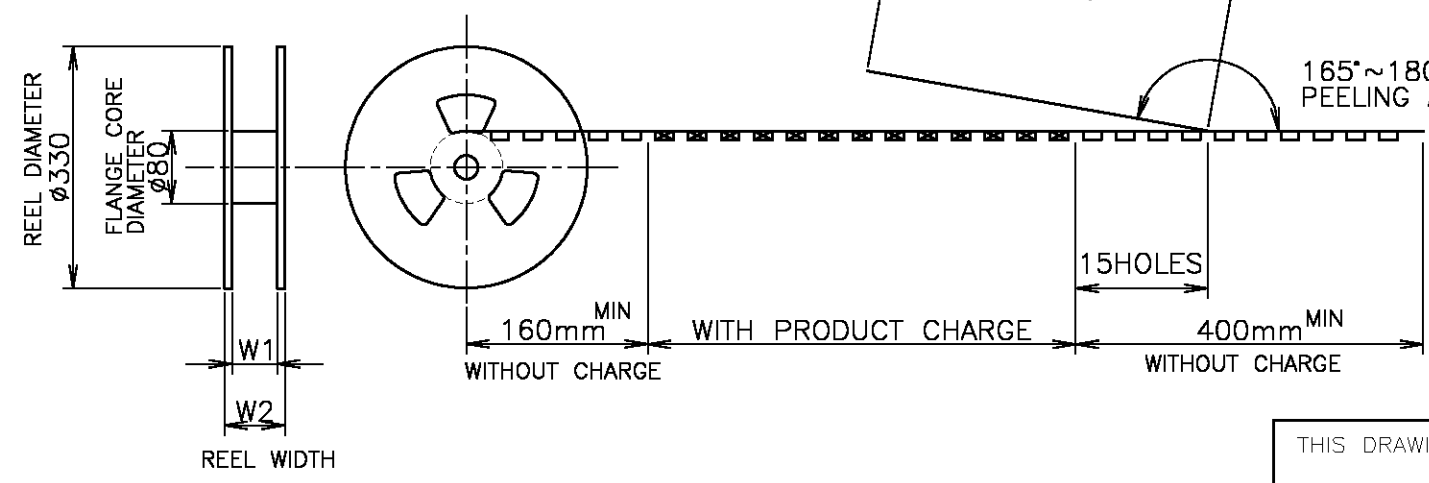


- 1 MATING COUNTER PART NUMBER: 5353158
- △ MATERIAL
HOUSING: HIGH HEAT-RESISTED
CONTACT: COPPER ALLOY (t=0.15), Au-PLT
SOLDER PEG: COPPER ALLOY (t=0.15), TIN-PLT
- △ CONTACT: CONTACT POINT Au-PLT. 0.00076 MIN.
- △ HSG: LCP VERSION
- △ SUPERSEDED LIST

FROM	TO
7-5353164-0	7-5353164-7
7-5353164-5	7-5353164-6
8-5353164-0	8-5353164-6

TOP OF REEL →

WEEDING THE COVER TAPE AROUND THE OUTER PERIPHERY IN A TURN.
 165°~180° PEELING ANGLE.



△4	48.7	45.5	3.86	0.4	24.9	44	40.4	20.2	1500	80	8-5353164-7
△4	48.7	45.5	3.86	0.4	24.9	44	40.4	20.2	1500	80	8-5353164-6
	48.7	45.5	3.86	0.4	24.9	44	40.4	20.2	1500	80	8-5353164-5
△5	48.7	45.5	3.86	0.4	24.9	44	40.4	20.2	1500	80	8-5353164-0
△4	48.7	45.5	3.86	0.4	22.4	44	40.4	20.2	1500	70	7-5353164-7
△4	48.7	45.5	3.86	0.4	22.4	44	40.4	20.2	1500	70	7-5353164-6
△5	48.7	45.5	3.86	0.4	22.4	44	40.4	20.2	1500	70	7-5353164-5
△5	48.7	45.5	3.86	0.4	22.4	44	40.4	20.2	1500	70	7-5353164-0
△4	37.5	33.5	3.8	0.4	19.85	32	28.4	14.2	1500	60	6-5353164-6
	37.5	33.5	3.8	0.4	19.85	32	28.4	14.2	1500	60	6-5353164-5
	37.5	33.5	3.8	0.4	19.85	32	28.4	14.2	1500	60	6-5353164-0
△5	29.5	25.5	3.8	0.4	17.35	24	—	11.5	1500	50	5-5353164-5

INSTRUCTION SHEET 411-5781

THIS DRAWING IS A CONTROLLED DOCUMENT.

DIMENSIONS: 单位: 耗 mm

TOLERANCES UNLESS OTHERWISE SPECIFIED: 一般公差

0 PLC	± 0.2
1 PLC	± 0.2
2 PLC	± 0.2
3 PLC	± 0.2
4 PLC	± 0.2
ANGLES	± 3'

MATERIAL 材料

FINISH 仕上

DWN J.ZHU 04NOV2004
 CHK S.YAO 04NOV2004
 APVD I.ENOMOTO 04NOV2004

PRODUCT SPEC 製品規格 108-60048
 APPLICATION SPEC 取付適用規格

WEIGHT

CUSTOMER DRAWING

STE TE Connectivity

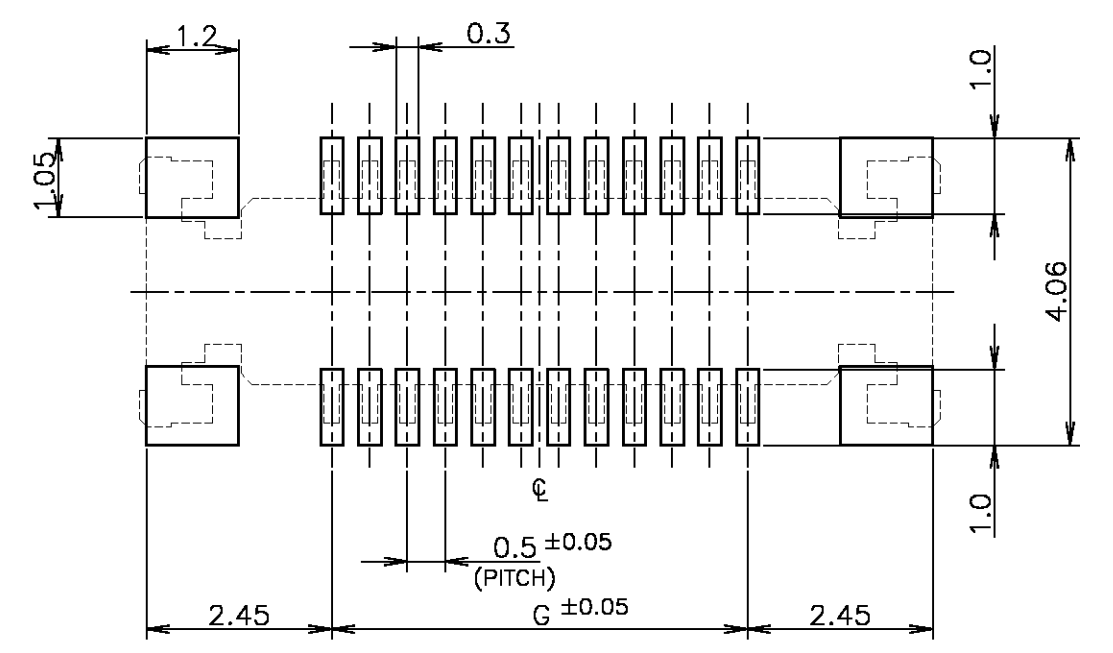
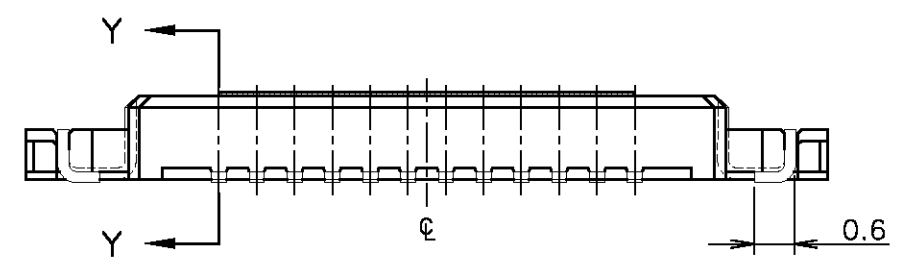
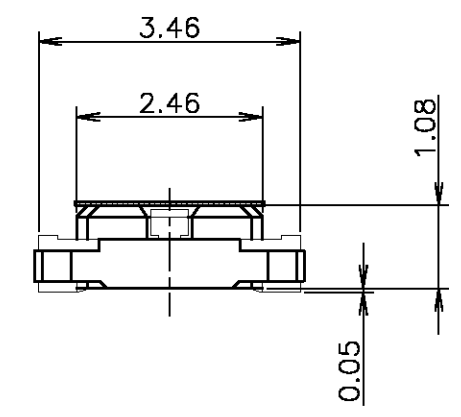
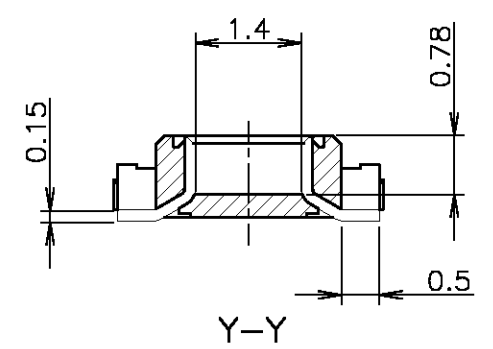
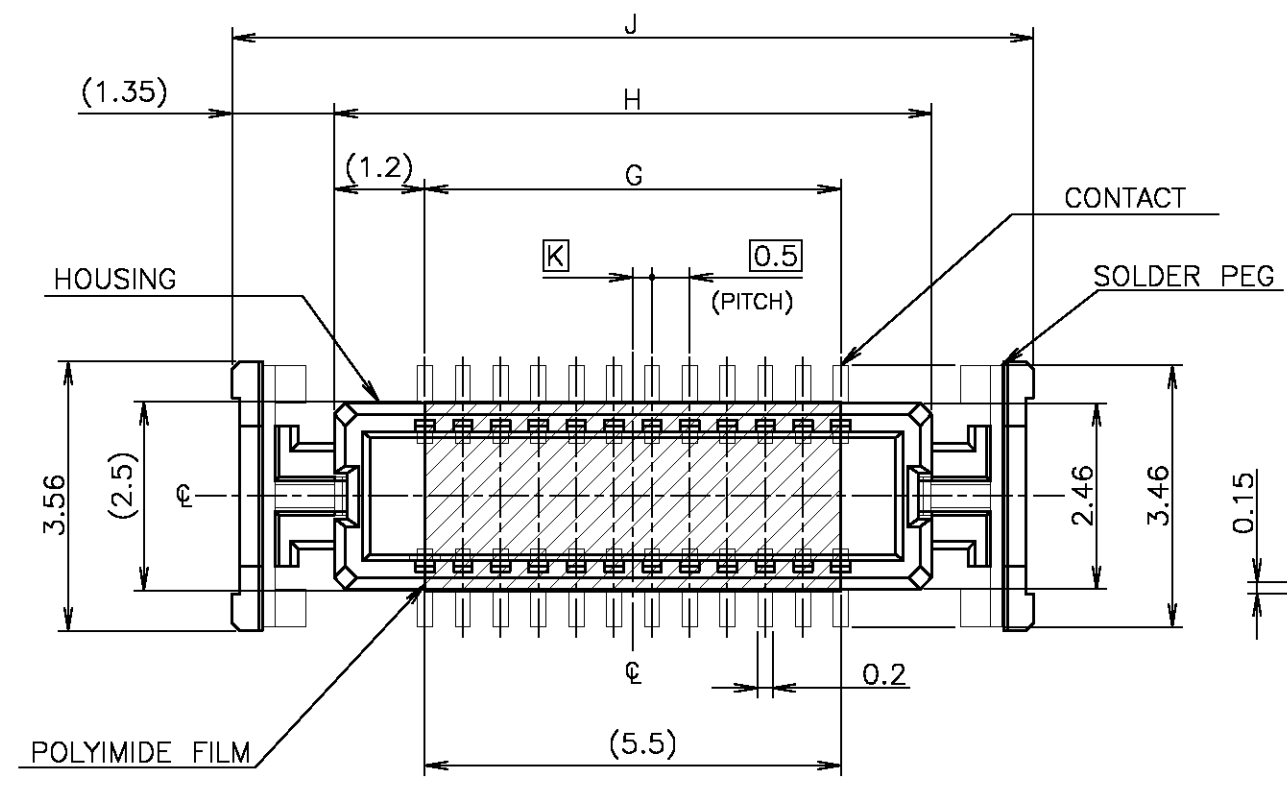
ON TAPING EMBOSS
 0.5mm PITCH FS CONN.
 TAB ASSEMBLY WITH FILM

SIZE	CAGE CODE	DRAWING NO 番号	RESTRICTED TO
A3	00779	C-5353164	—

SCALE 尺度 4:1 SHEET 1 OF 2 REV G

THIS DRAWING IS UNPUBLISHED. RELEASED FOR PUBLICATION NOV, 2004.
 © COPYRIGHT 2004 By - ALL RIGHTS RESERVED.

LOC	DIST	REVISIONS					
		P	LTR	DESCRIPTION	DATE	DWN	APVD
J	-	-	-	SEE SHEET 1	-	-	-



(T=0.6 MIN.)
P.C. BOARD LAYOUT (REF.)

△4	△3	0.25	24.6	21.9	19.5	80	8-5353164-7
△4	△3	0.25	24.6	21.9	19.5	80	8-5353164-6
	△3	0.25	24.6	21.9	19.5	80	8-5353164-5
	△5	0.25	24.6	21.9	19.5	80	8-5353164-0
	△4	---	22.1	19.4	17	70	7-5353164-7
△4	△3	---	22.1	19.4	17	70	7-5353164-6
△5	△3	---	22.1	19.4	17	70	7-5353164-5
	△5	---	22.1	19.4	17	70	7-5353164-0
△4	△3	0.25	19.6	16.9	14.5	60	6-5353164-6
	△3	0.25	19.6	16.9	14.5	60	6-5353164-5
		0.25	19.6	16.9	14.5	60	6-5353164-0
Ⓞ	OBSOLETE	---	17.1	14.4	12.0	50	5-5353164-5

INSTRUCTION SHEET		DIMENSION		POS.	PART NO.
411-5781		K	J	H	G
DWN		TE Connectivity ON TAPING EMBOSS 0.5mm PITCH FS CONN. TAB ASSEMBLY WITH FILM			
CHK					
APVD					
NAME 名称					
PRODUCT SPEC 製品規格		SIZE	CAGE CODE	DRAWING NO 番号	RESTRICTED TO
APPLICATION SPEC 取付適用規格		A3	00779	C-5353164	-
WEIGHT		SCALE 尺度 10:1		SHEET 2 OF 2	REV G

THIS DRAWING IS A CONTROLLED DOCUMENT.

DIMENSIONS: 单位: 耗 mm	TOLERANCES UNLESS OTHERWISE SPECIFIED: 一般公差
	0 PLC ± 0.2
	1 PLC ± 0.2
	2 PLC ± 0.2
	3 PLC ± 0.2
	4 PLC ± 0.2
	ANGLES ± 3'
MATERIAL 材料	FINISH 仕上

CUSTOMER DRAWING