



Chipsmall Limited consists of a professional team with an average of over 10 year of expertise in the distribution of electronic components. Based in Hongkong, we have already established firm and mutual-benefit business relationships with customers from,Europe,America and south Asia,supplying obsolete and hard-to-find components to meet their specific needs.

With the principle of “Quality Parts,Customers Priority,Honest Operation,and Considerate Service”,our business mainly focus on the distribution of electronic components. Line cards we deal with include Microchip,ALPS,ROHM,Xilinx,Pulse,ON,Everlight and Freescale. Main products comprise IC,Modules,Potentiometer,IC Socket,Relay,Connector.Our parts cover such applications as commercial,industrial, and automotives areas.

We are looking forward to setting up business relationship with you and hope to provide you with the best service and solution. Let us make a better world for our industry!



Contact us

Tel: +86-755-8981 8866 Fax: +86-755-8427 6832

Email & Skype: info@chipsmall.com Web: www.chipsmall.com

Address: A1208, Overseas Decoration Building, #122 Zhenhua RD., Futian, Shenzhen, China



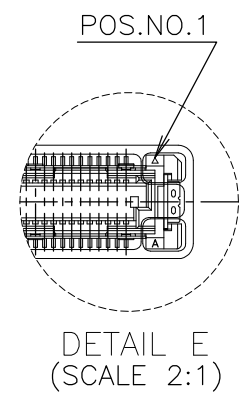
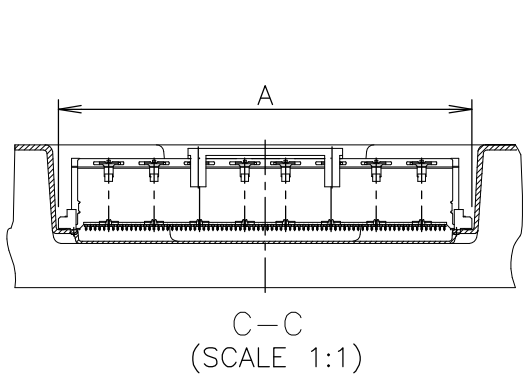
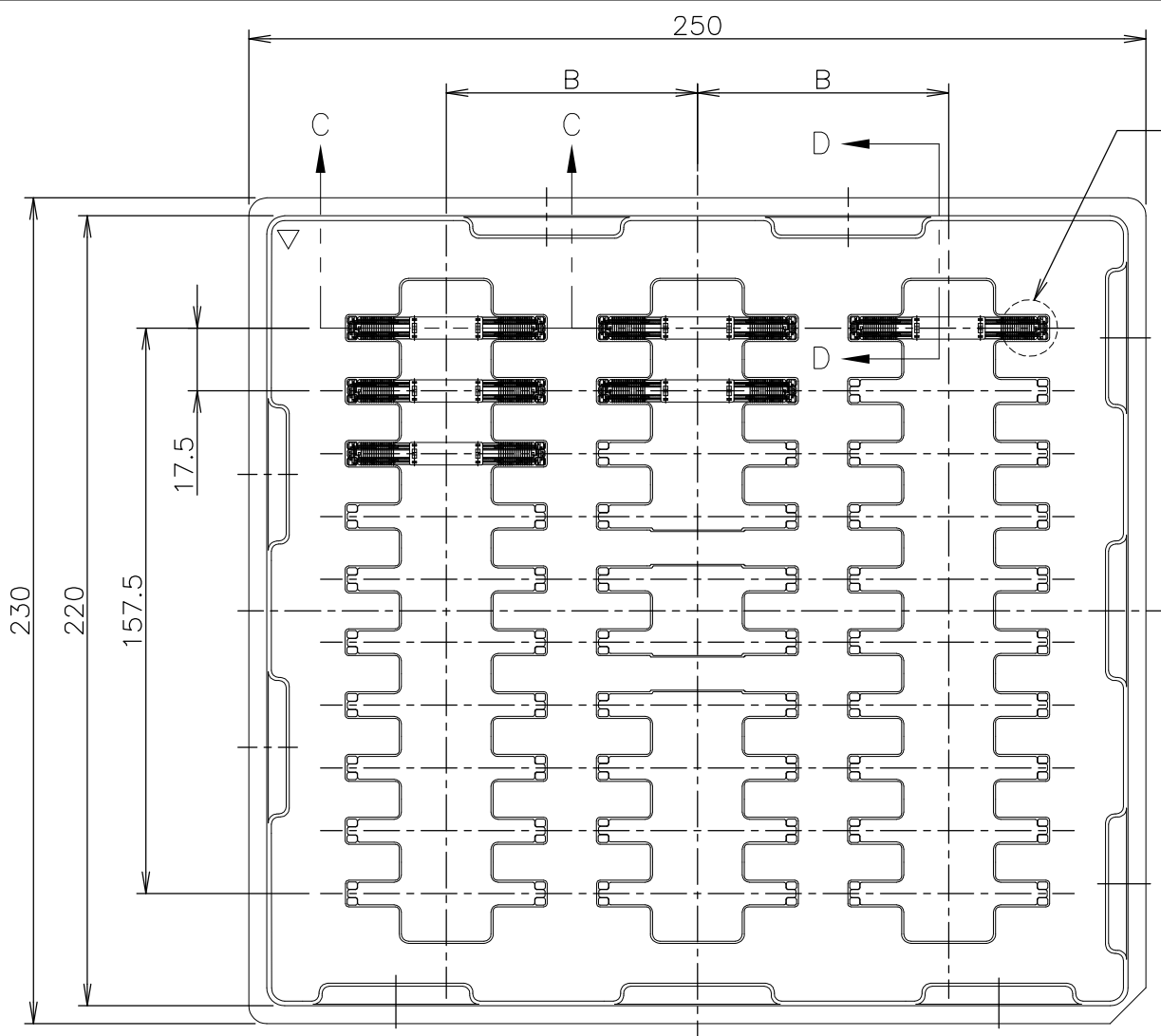
THIS DRAWING IS UNPUBLISHED. RELEASED FOR PUBLICATION APR, 1998.
 © COPYRIGHT 1998 BY TYCO ELECTRONICS CORPORATION. ALL RIGHTS RESERVED.

LOC J DIST

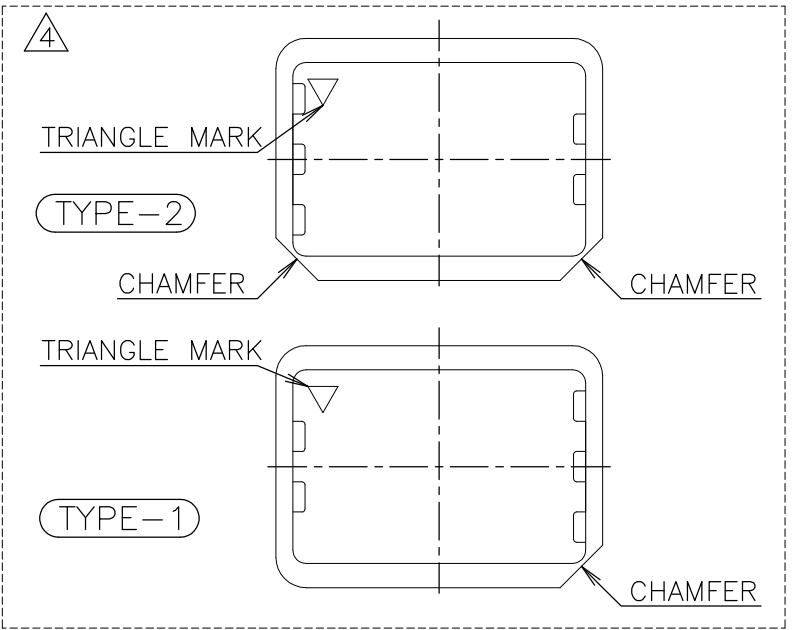
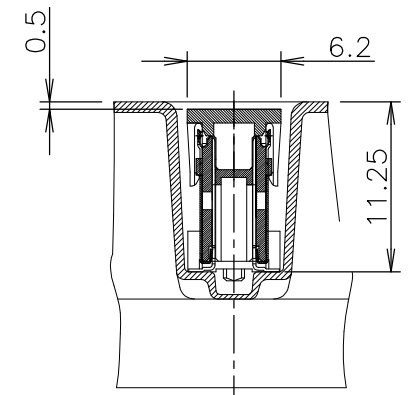
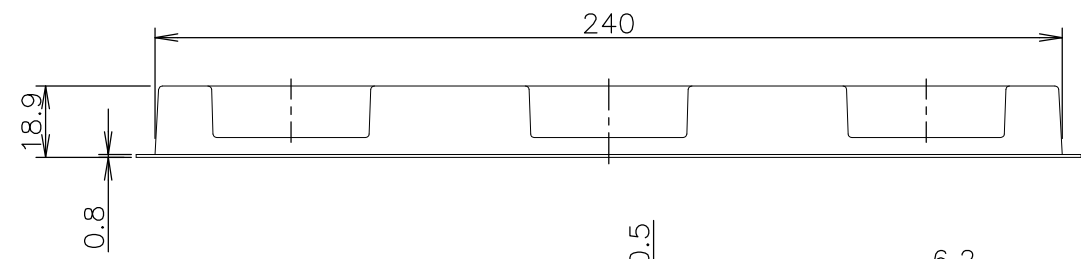
REVISIONS		DATE	DWN	APVD
P	LTR	DESCRIPTION		
A	REVISED	ECR-08-000339	01FEB08	T.T T.F

AS SHOWN: TYPE-1

SEE DETAIL E



⚠ TRAY TYPE-1 AND TYPE-2 MUST BE
 PILED UP BY TURNS.
 (REFER TO PACKING SPECIFICATIONS)



GENERAL TOLERANCE
 一般公差

10 ≥	±0.2
30 ≥	>10: ±0.25
100 ≥	>30: ±0.3
ANGLES: ±3°	

SEALANT	AVAILABLE	3	30	70	54.7	160	912074-4	6-6123845-1
SEALANT	TOOLING STATUS	LOW	QTY	B	A	POS.	TRAY P/N	PART NO.

THIS DRAWING IS A CONTROLLED DOCUMENT.

DIMENSIONS: 单位: 耗 mm	TOLERANCES UNLESS OTHERWISE SPECIFIED: 一般公差
0 PLC ±	1 PLC ±
2 PLC ±	3 PLC ±
4 PLC ±	ANGLES ±
MATERIAL 材料	FINISH 仕上

DWN WENKE HE 8JUN05	Tyco Electronics Corporation Kawasaki, Japan	
CHK GAVIN ZHANG 8JUN05	NAME 名称	
APVD STEVEN YAO 8JUN05	SOFT TRAY ASSY FH 0.6BTB CONNECTOR PLUG 10H W/G-PLATE WITH 1ROW CAP	
PRODUCT SPEC 製品規格 108-60047	SIZE A3	CAGE CODE 00779
APPLICATION SPEC 取付適用規格 114-5255	DRAWING NO 番号 G-6123845	RESTRICTED TO
WEIGHT	SCALE 尺度 1:2	SHEET 1 OF 4
CUSTOMER DRAWING	REV A	

4

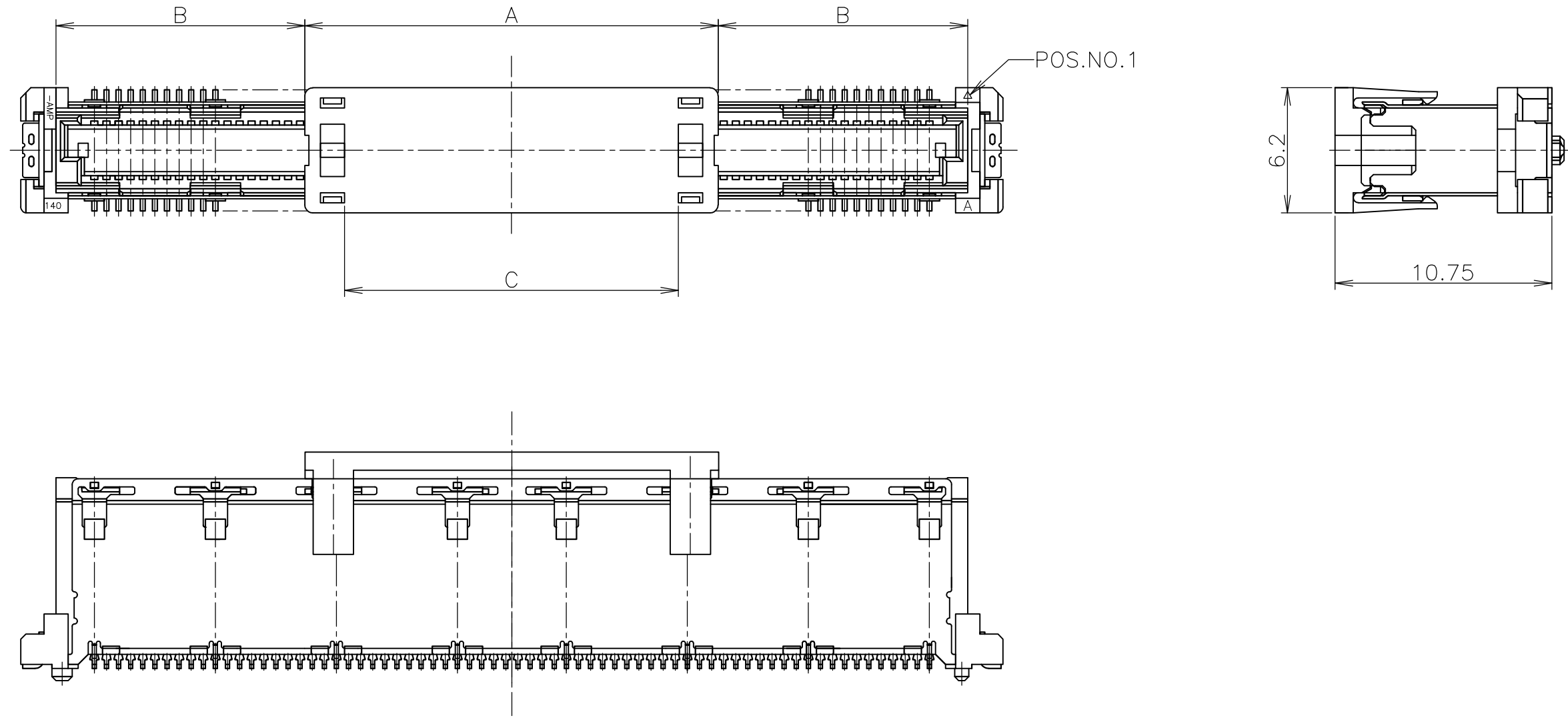
3

2

1

THIS DRAWING IS UNPUBLISHED. RELEASED FOR PUBLICATION APR , 1998.
 © COPYRIGHT 1998 BY TYCO ELECTRONICS CORPORATION. ALL RIGHTS RESERVED.

LOC	DIST	REVISIONS			DATE	DWN	APVD
J		P	LTR	DESCRIPTION			
			-	SEE SHEET 1	-	-	-



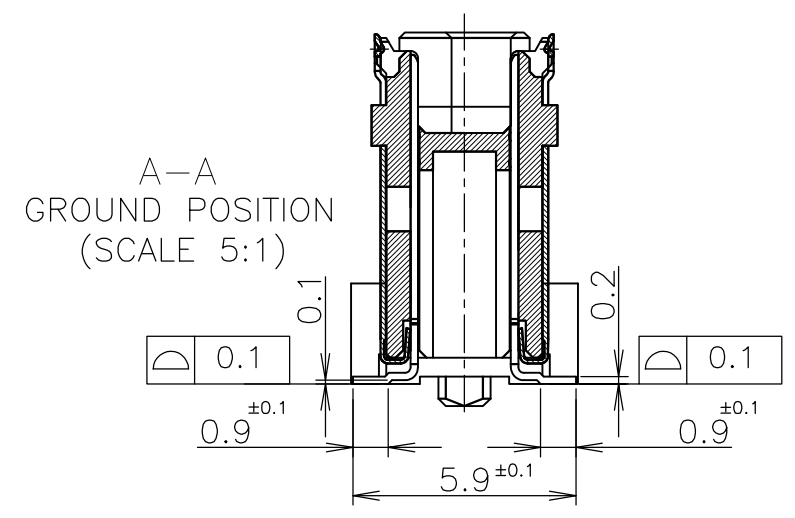
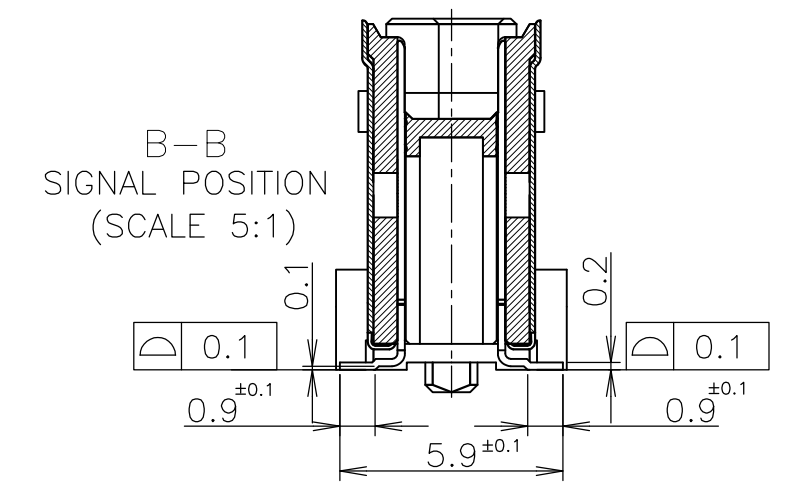
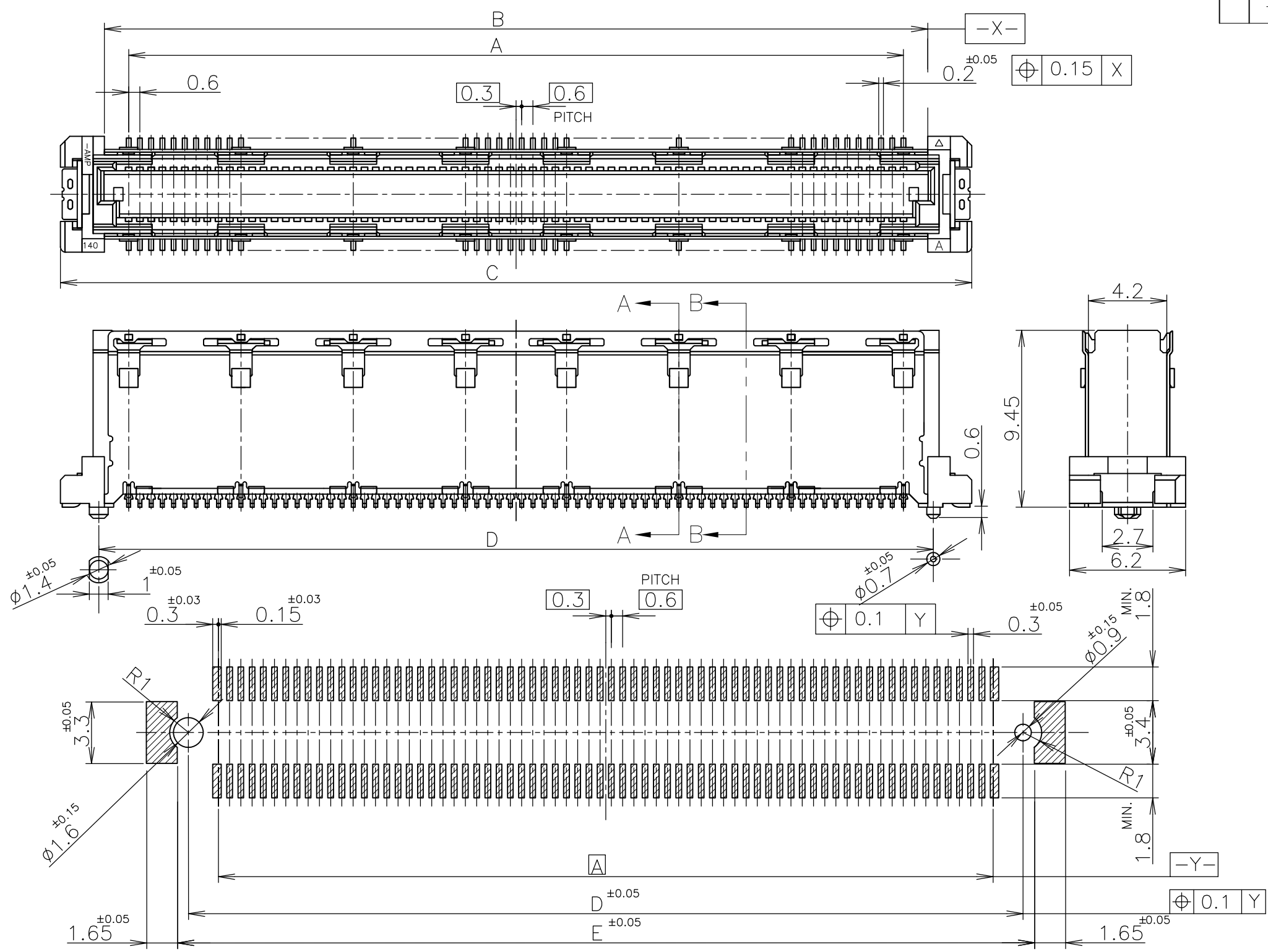
5 CONNECTORS DIMENSION AND REFERENCE P.C BOARD LAYOUT : SEE SHEET 3.

AVAILABLE	16.5	15.4	20.5	160	1123835-1	6-6123845-1
TOOLING STATUS	C	B	A	POS	CAP PART NO.	PART NO.

THIS DRAWING IS A CONTROLLED DOCUMENT.		DWN	Tyco Electronics Corporation Kawasaki, Japan			
DIMENSIONS: 単位: 耗 mm		CHK	NAME 名称			
TOLERANCES UNLESS OTHERWISE SPECIFIED: 一般公差		APVD	SOFT TRAY ASSY FH 0.6BTB CONNECTOR PLUG 10H W/G-PLATE WITH 1ROW CAP			
0 PLC ± - 1 PLC ± - 2 PLC ± - 3 PLC ± - 4 PLC ± - ANGLES ± -		PRODUCT SPEC 製品規格	SIZE	CAGE CODE	DRAWING NO 番号	RESTRICTED TO
MATERIAL 材料		APPLICATION SPEC 取付適用規格	A3	00779	G-6123845	
FINISH 仕上		WEIGHT	CUSTOMER DRAWING		SCALE 尺度 4:1	SHEET 2 OF 4
					REV A	

THIS DRAWING IS UNPUBLISHED. RELEASED FOR PUBLICATION APR, 1998.
 © COPYRIGHT 1998 BY TYCO ELECTRONICS CORPORATION. ALL RIGHTS RESERVED.

LOC	DIST	REVISIONS			DATE	DWN	APVD
J		P	LTR	DESCRIPTION			
				SEE SHEET 1	-	-	-



REFERENCE P.C.BOARD LAYOUT

AVAILABLE	51.8	50.6	54.7	50	47.4	160	6-6123845-1
TOOLING STATUS	E	D	C	B	A	POS	PART NO.

GENERAL TOLERANCE 一般公差

10 ≥	±0.2
30 ≥	>10: ±0.25
100 ≥	>30: ±0.3
ANGLES: ±3°	

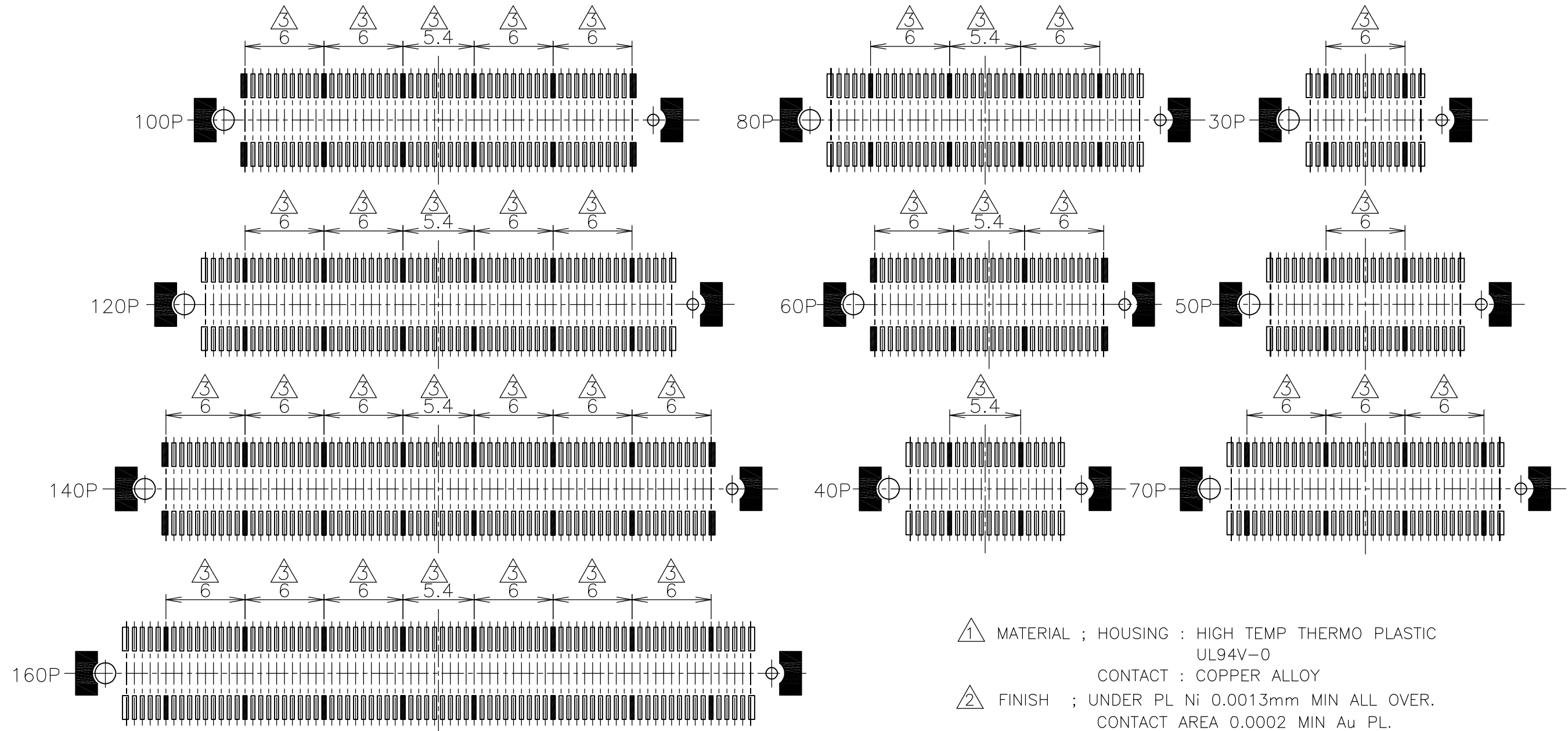
THIS DRAWING IS A CONTROLLED DOCUMENT.

DIMENSIONS: 单位: 耗 mm	TOLERANCES UNLESS OTHERWISE SPECIFIED: 一般公差
0 PLC ± -	1 PLC ± -
2 PLC ± -	3 PLC ± -
4 PLC ± -	ANGLES ± -
MATERIAL 材料	FINISH 仕上

DWN	CHK	APVD	PRODUCT SPEC 製品規格	APPLICATION SPEC 取付適用規格	WEIGHT	Tyco Electronics Corporation Kawasaki, Japan	
NAME 名称						SOFT TRAY ASSY FH 0.6BTB CONNECTOR PLUG 10H W/G-PLATE WITH 1ROW CAP	
SIZE	CAGE CODE	DRAWING NO 番号	RESTRICTED TO		Tyco Electronics Corporation		
A3	00779	G-6123845			CUSTOMER DRAWING		
SCALE 尺度 4:1			SHEET 3 OF 4		REV A		

THIS DRAWING IS UNPUBLISHED. RELEASED FOR PUBLICATION APR , 1998.
 © COPYRIGHT 1998 BY TYCO ELECTRONICS CORPORATION. ALL RIGHTS RESERVED.

LOC	DIST	REVISIONS 変更					
J		P	LTR	DESCRIPTION	DATE	DWN	APVD
			-	SEE SHEET 1	-	-	-



- ① MATERIAL ; HOUSING : HIGH TEMP THERMO PLASTIC
UL94V-0
CONTACT : COPPER ALLOY
- ② FINISH ; UNDER PL Ni 0.0013mm MIN ALL OVER.
CONTACT AREA 0.0002 MIN Au PL.
SOLDERING AREA 0.001 MIN TIN PL.
- ③ ■ THIS POSITION IS GROUND CIRCUIT.

GENERAL TOLERANCE
一般公差

10 ≥	±0.2
30 ≥	>10: ±0.25
100 ≥	>30: ±0.3
ANGLES: ±3°	

THIS DRAWING IS A CONTROLLED DOCUMENT.		DWN		Tyco Electronics		Tyco Electronics Corporation	
DIMENSIONS: 単位: 耗 mm		TOLERANCES UNLESS OTHERWISE SPECIFIED: 一般公差		CHK		Kawasaki, Japan	
		0 PLC ±-		APVD		NAME 名称	
		1 PLC ±-		PRODUCT SPEC 製品規格		SOFT TRAY ASSY	
MATERIAL 材料		2 PLC ±-		APPLICATION SPEC 取付適用規格		FH 0.6BTB CONNECTOR	
		3 PLC ±-		WEIGHT		PLUG 10H W/G-PLATE WITH 1ROW CAP	
FINISH 仕上		4 PLC ±-		SIZE		DRAWING NO	
		ANGLES ±-		A3		C-6123845	
CUSTOMER DRAWING		RESTRICTED TO		SCALE 尺度 3:1		SHEET 4 OF 4	
						REV A	