



Chipsmall Limited consists of a professional team with an average of over 10 year of expertise in the distribution of electronic components. Based in Hongkong, we have already established firm and mutual-benefit business relationships with customers from,Europe,America and south Asia,supplying obsolete and hard-to-find components to meet their specific needs.

With the principle of “Quality Parts,Customers Priority,Honest Operation,and Considerate Service”,our business mainly focus on the distribution of electronic components. Line cards we deal with include Microchip,ALPS,ROHM,Xilinx,Pulse,ON,Everlight and Freescale. Main products comprise IC,Modules,Potentiometer,IC Socket,Relay,Connector.Our parts cover such applications as commercial,industrial, and automotives areas.

We are looking forward to setting up business relationship with you and hope to provide you with the best service and solution. Let us make a better world for our industry!



Contact us

Tel: +86-755-8981 8866 Fax: +86-755-8427 6832

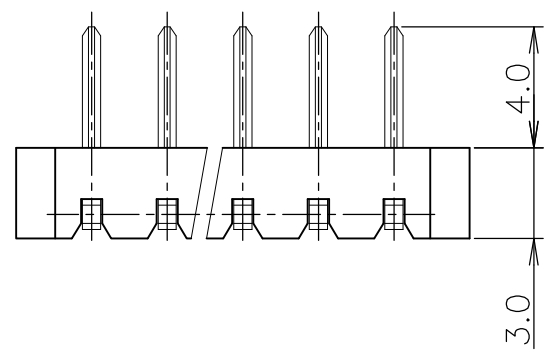
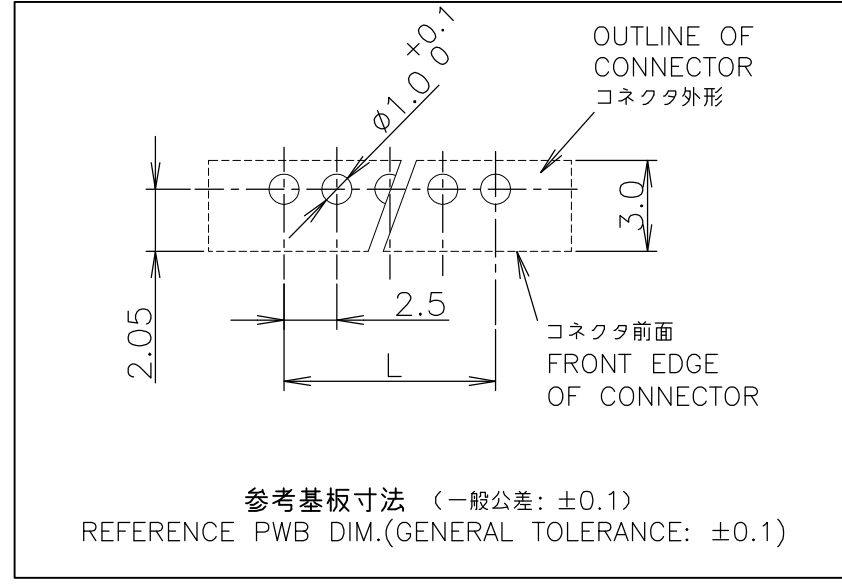
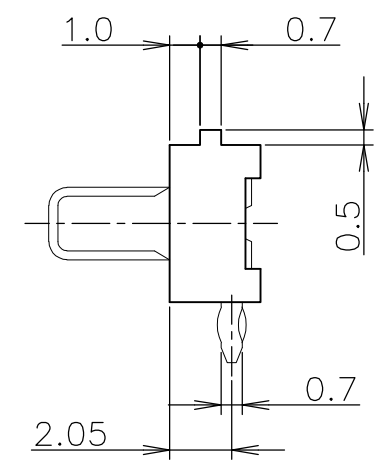
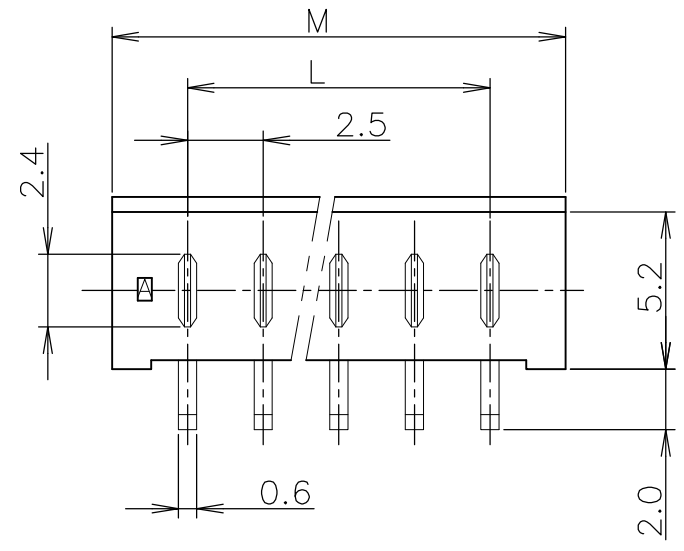
Email & Skype: info@chipsmall.com Web: www.chipsmall.com

Address: A1208, Overseas Decoration Building, #122 Zhenhua RD., Futian, Shenzhen, China



THIS DRAWING IS UNPUBLISHED. RELEASED FOR PUBLICATION AUG, 2004.
 © COPYRIGHT 2004 BY TYCO ELECTRONICS CORPORATION. ALL RIGHTS RESERVED.

LOC	DIST	REVISIONS 変更				
P	LTR	DESCRIPTION	DATE	DWN	APVD	
J	/	0	RELEASED	FJB0-0700-04	05AUG04	H.T K.I
		01	REVISED PER	ECO-10-000444	19JAN10	KK HMR



1 一般公差 ± 0.3
 2 材質
 ベース: 熱可塑性樹脂, 黒色
 ポスト: 銅合金
 全面: ニッケル下地めっき
 接触部: 金めっき 0.1 μ m MIN.
 半田付け部: 金めっき

1 GENERAL TOLERANCE: ± 0.3
 2 MATERIALS
 BASE: THERMOPLASTIC, BLACK
 POST: COPPER ALLOY
 0.1 μ m MIN. GOLD
 OVER NICKEL PLATE (CONTACT AREA)
 Au PLATE OVER NICKEL PLATE (TAIL AREA)

3 OBSOLETE PARTS: OBSOLETE CIS STREAMLINING PER D.RENAUD/D.SINISI

6-6447143-3	3900076-06	6	12.5	17.5	
6-6447143-2	3900076-05	5	10.0	15.0	
6437118-5	3900076-04	4	7.5	12.5	
3 OBSOLETE 4-6447141-9	3900076-03	3	5.0	10.0	
PART NO. 型番	OLD PART NO. 旧型番	NO.OF POS. 極数	L 寸法	M SIZE	REMARK 備考

鉛フリー
LEAD FREE

THIS DRAWING IS A CONTROLLED DOCUMENT.		DWN H.TAKASU 05AUG04	Tyco Electronics AMP K.K. Kawasaki, Japan		
DIMENSIONS: 単位: 耗 mm	TOLERANCES UNLESS OTHERWISE SPECIFIED: 一般公差	CHK T.KIMURA 05AUG04	NAME K.IKEGAMI		
	0 PLC \pm -	APVD K.IKEGAMI 05AUG04	PRODUCT SPEC 製品規格 108-78126		
	1 PLC \pm -		APPLICATION SPEC 取付適用規格		
	2 PLC \pm -		SIZE	CAGE CODE	DRAWING NO 番号
	3 PLC \pm -		A3	00779	G-6437118-5
	4 PLC \pm -		RESTRICTED TO		
	ANGLES \pm -		SCALE 4:1 SHEET 1 OF 1 REV 01		
MATERIAL 材料	FINISH 仕上	WEIGHT	CUSTOMER DRAWING		
2	2				