



Chipsmall Limited consists of a professional team with an average of over 10 year of expertise in the distribution of electronic components. Based in Hongkong, we have already established firm and mutual-benefit business relationships with customers from,Europe,America and south Asia,supplying obsolete and hard-to-find components to meet their specific needs.

With the principle of “Quality Parts,Customers Priority,Honest Operation,and Considerate Service”,our business mainly focus on the distribution of electronic components. Line cards we deal with include Microchip,ALPS,ROHM,Xilinx,Pulse,ON,Everlight and Freescale. Main products comprise IC,Modules,Potentiometer,IC Socket,Relay,Connector.Our parts cover such applications as commercial,industrial, and automotives areas.

We are looking forward to setting up business relationship with you and hope to provide you with the best service and solution. Let us make a better world for our industry!



Contact us

Tel: +86-755-8981 8866 Fax: +86-755-8427 6832

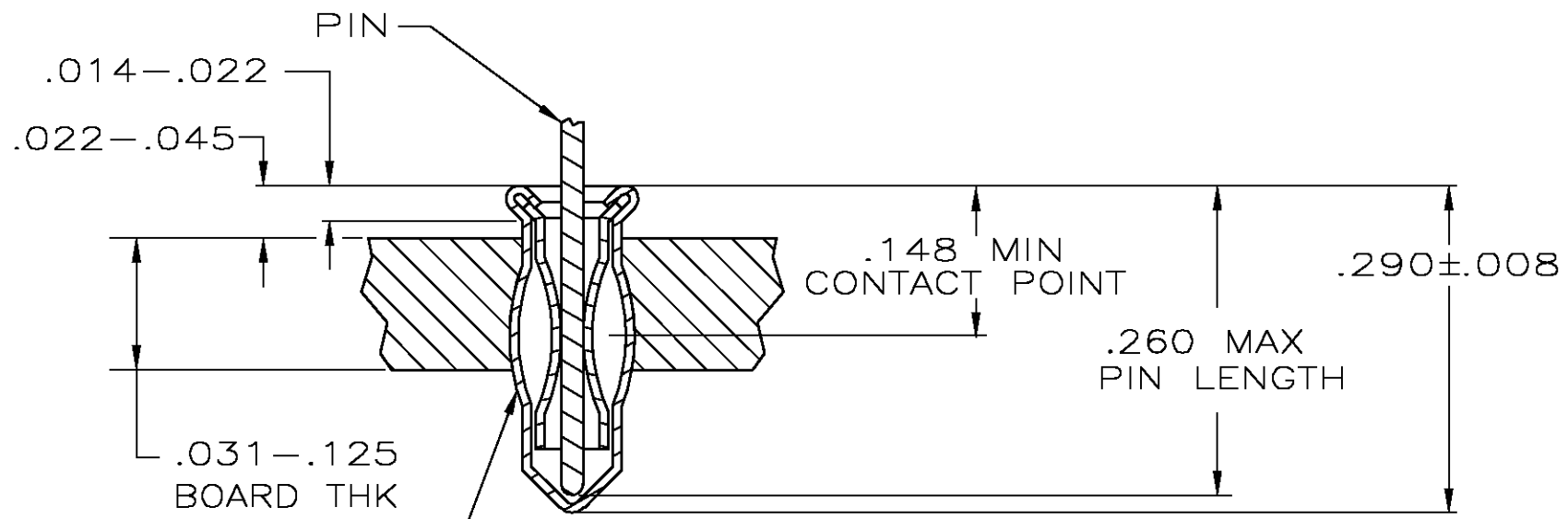
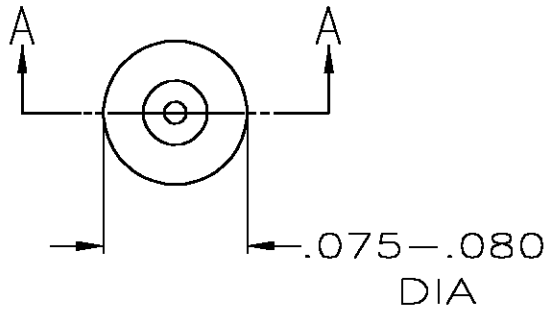
Email & Skype: info@chipsmall.com Web: www.chipsmall.com

Address: A1208, Overseas Decoration Building, #122 Zhenhua RD., Futian, Shenzhen, China



THIS DRAWING IS UNPUBLISHED. RELEASED FOR PUBLICATION
 © COPYRIGHT BY TYCO ELECTRONICS CORPORATION. ALL RIGHTS RESERVED.

LOC	DIST	REVISIONS					
GP	00	P	LTR	DESCRIPTION	DATE	DWN	APVD
			C	REVISED PER 0S11-0088-03	6-4-03	JB	KK



MSS INSERTION MACHINE CAPABLE OF
 OVALIZING SOCKET FOR RETENTION IN PC BOARD
 WITH .063±.003 DIA HOLE PRIOR TO
 SOLDERING OPERATION

- MATERIAL:
 EYELET - COPPER (QQ-C-576)
 SPRING - BERYLLIUM COPPER (QQ-C-533)
- TIN PLATE(MIL-T-10727).000150 MIN THK
- GOLD PL(MIL-G-45204).000030 MIN THK OVER NICKEL (QQ-N-290) .000011 MIN THK ON CONTACT AREA.
- TIN PLATE(MIL-T-10727).000100 MIN THK
- TO INSURE 1/2 OZ MIN RETENTION DO NOT EXCEED .004 DIFFERENCE IN PIN DIA WHEN CHANGING TO A SMALLER DIA PIN
- HOLE SIZE FOR HAND INSERTION .063-.066
- TIN PLATE(ASTM B 545) .000100 MIN THK

.148/.260	.028/.033	TIN Δ	TIN Δ	6-645988-1
		GOLD Δ	TIN Δ	645988-2
		TIN Δ	TIN Δ	645988-1
LENGTH	DIA Δ	SPRING	EYELET	PART NO
PIN		FINISH		

THIS DRAWING IS A CONTROLLED DOCUMENT.		DWN D.HOLLINGSWORTH 1/24/85	Tyco Electronics Corporation													
DIMENSIONS: INCHES		CHK P.MUTZABAUGH 3/4/85	APVD G.D.MILLER 3/4/85													
TOLERANCES UNLESS OTHERWISE SPECIFIED:		NAME MINIATURE SPRING SOCKET ASSEMBLY														
<table border="0"> <tr><td>0 PLC</td><td>± -</td></tr> <tr><td>1 PLC</td><td>± -</td></tr> <tr><td>2 PLC</td><td>± -</td></tr> <tr><td>3 PLC</td><td>± -</td></tr> <tr><td>4 PLC</td><td>± -</td></tr> <tr><td>ANGLES</td><td>± -</td></tr> </table>		0 PLC	± -	1 PLC	± -	2 PLC	± -	3 PLC	± -	4 PLC	± -	ANGLES	± -	PRODUCT SPEC -		APPLICATION SPEC -
0 PLC	± -															
1 PLC	± -															
2 PLC	± -															
3 PLC	± -															
4 PLC	± -															
ANGLES	± -															
MATERIAL -	FINISH -	WEIGHT -	SIZE A3	CAGE CODE 00779	DRAWING NO C-645988	RESTRICTED TO -										
CUSTOMER DRAWING			SCALE 10:1	SHEET 1 OF 1	REV C											