



Chipsmall Limited consists of a professional team with an average of over 10 year of expertise in the distribution of electronic components. Based in Hongkong, we have already established firm and mutual-benefit business relationships with customers from,Europe,America and south Asia,supplying obsolete and hard-to-find components to meet their specific needs.

With the principle of “Quality Parts,Customers Priority,Honest Operation,and Considerate Service”,our business mainly focus on the distribution of electronic components. Line cards we deal with include Microchip,ALPS,ROHM,Xilinx,Pulse,ON,Everlight and Freescale. Main products comprise IC,Modules,Potentiometer,IC Socket,Relay,Connector.Our parts cover such applications as commercial,industrial, and automotives areas.

We are looking forward to setting up business relationship with you and hope to provide you with the best service and solution. Let us make a better world for our industry!



Contact us

Tel: +86-755-8981 8866 Fax: +86-755-8427 6832

Email & Skype: info@chipsmall.com Web: www.chipsmall.com

Address: A1208, Overseas Decoration Building, #122 Zhenhua RD., Futian, Shenzhen, China

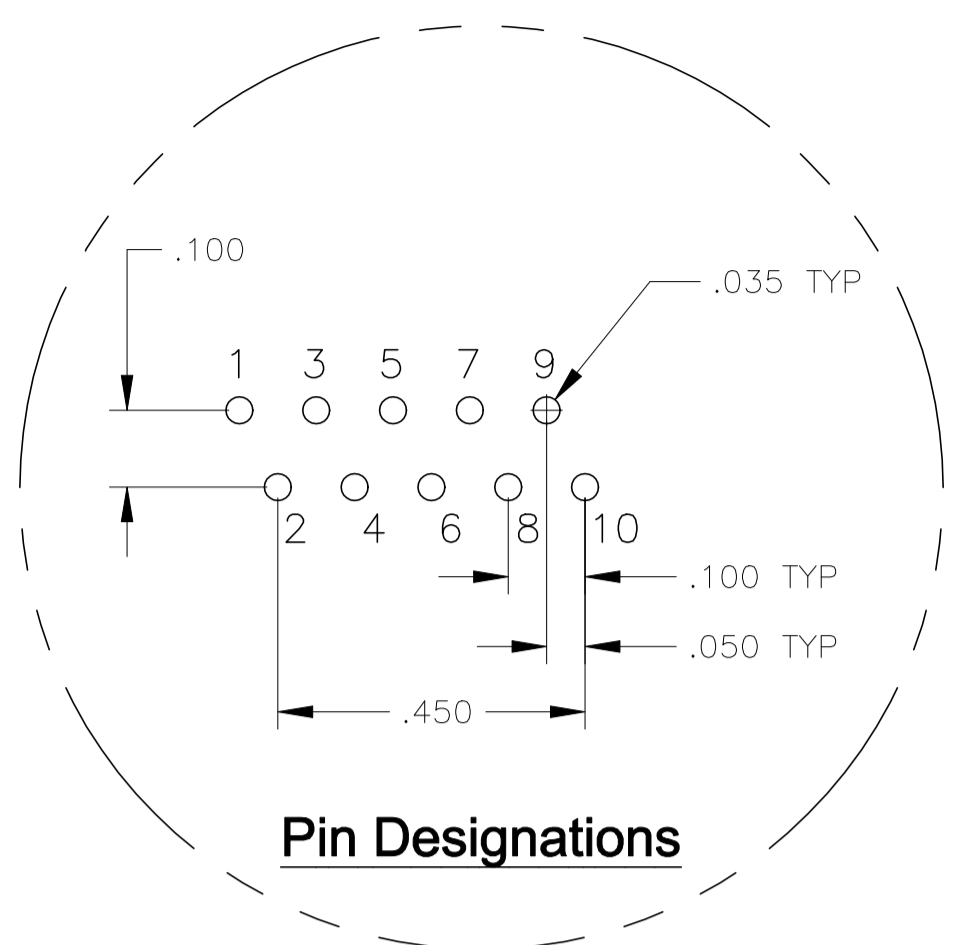
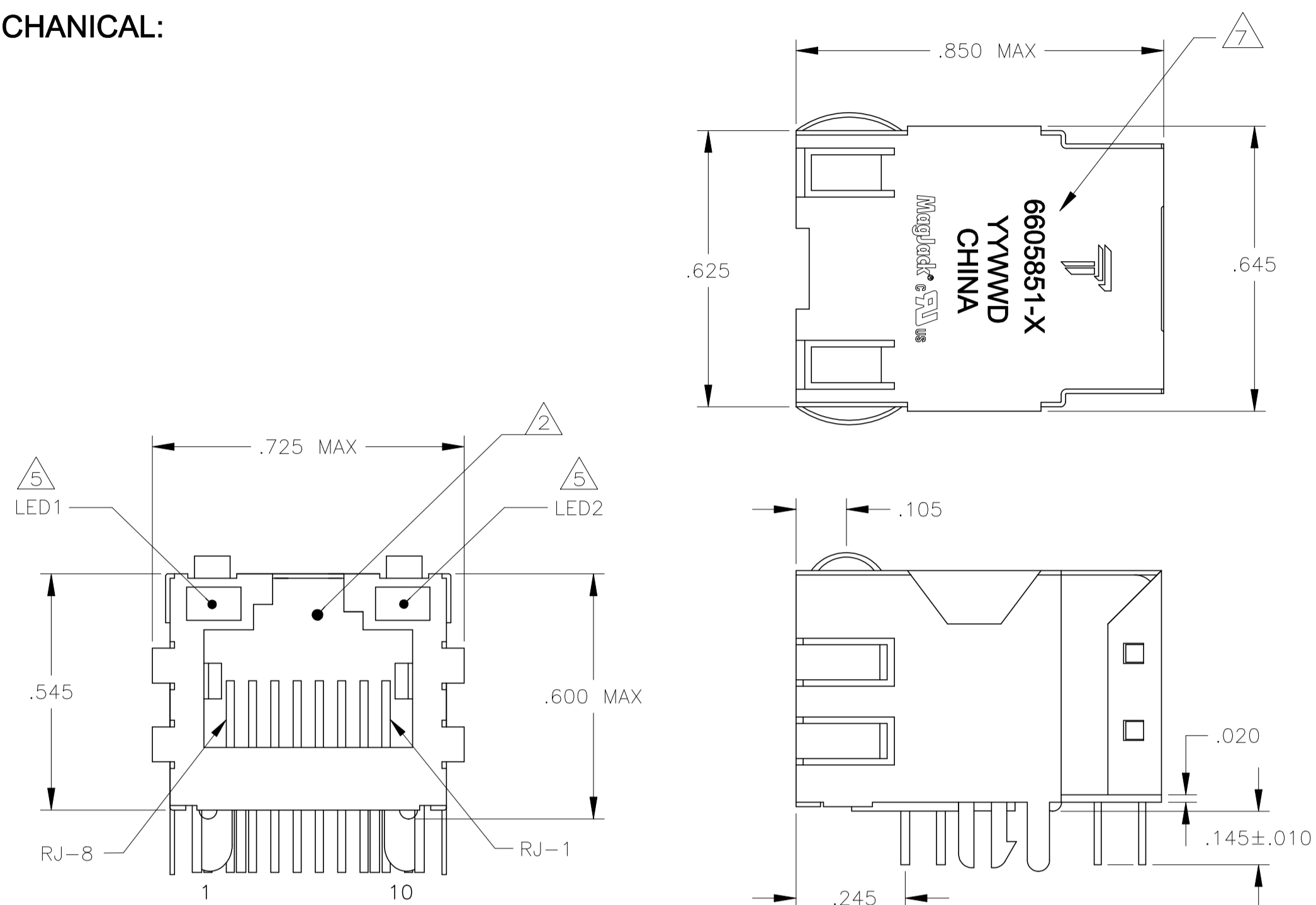


THIS DRAWING AND THE SUBJECT MATTER SHOWN THEREON ARE CONFIDENTIAL AND THE PROPERTY OF BEL/STEWART/TRP CONNECTOR AND SHALL NOT BE REPRODUCED, COPIED, OR USED IN ANY MANNER WITHOUT THE WRITTEN CONSENT OF TRP CONNECTOR.

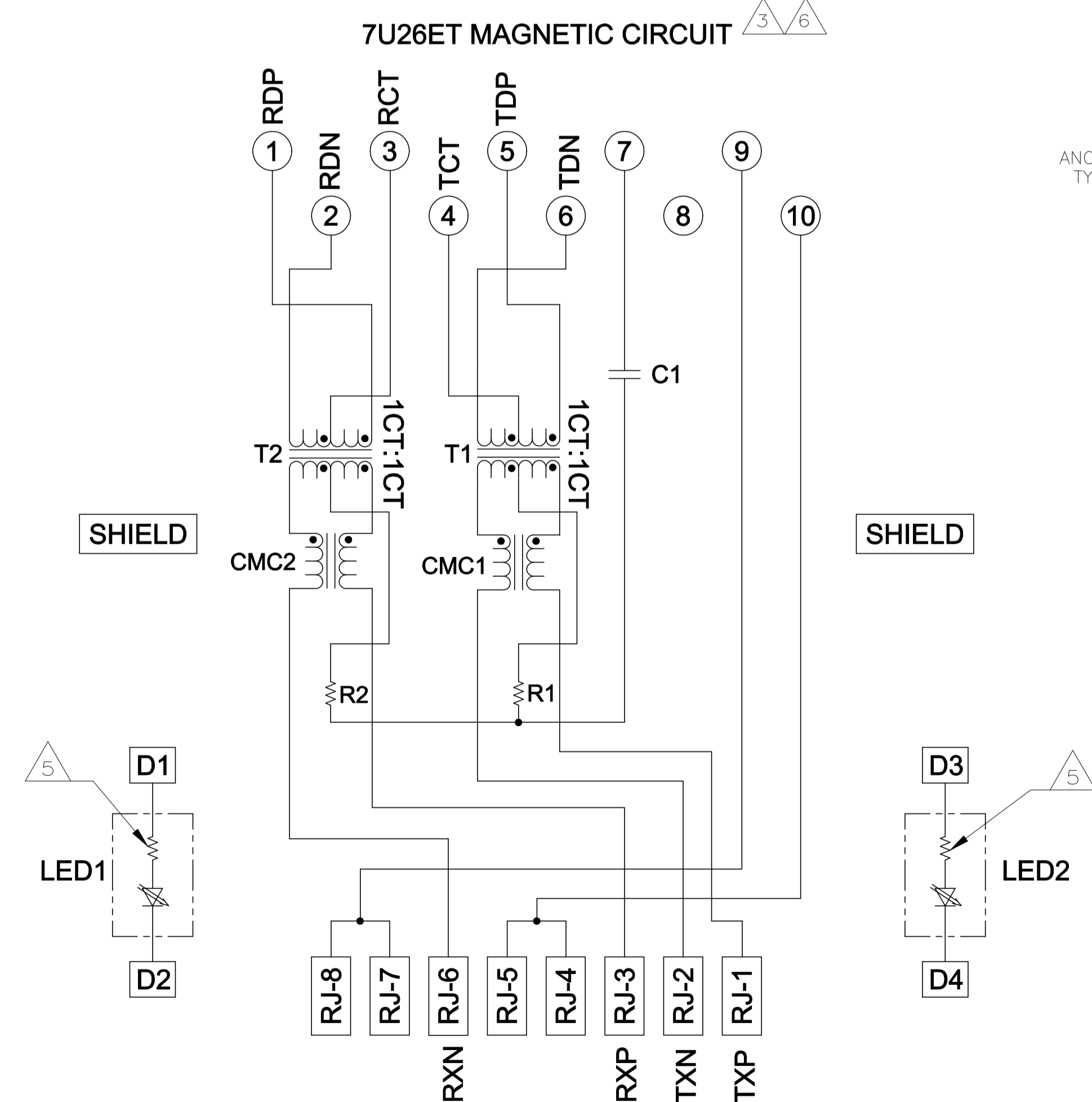
PRODUCT MAY BE PROTECTED BY ONE OR MORE OF THE FOLLOWING US PATENTS:
 5736910 5939955 6425781 6428361 6554638 6840817 7123117
 7429195 7717749 7808751 6217391 6149050 7924130

REVISIONS				
P	LTR	DESCRIPTION	DATE	APVD
E		EC-1411035 COMPANY LOGO CHANGE	09JAN2015	HY KZ

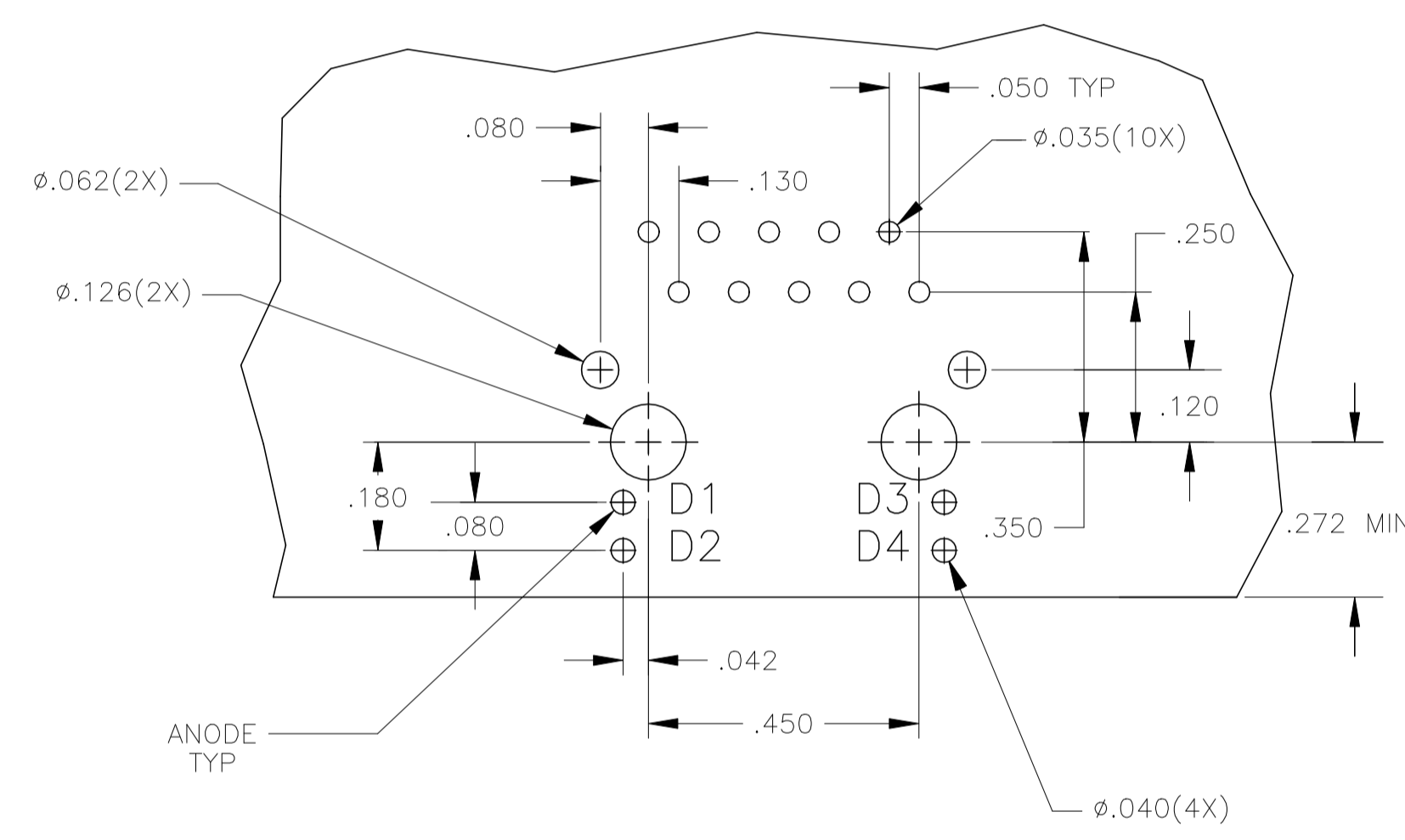
MECHANICAL:



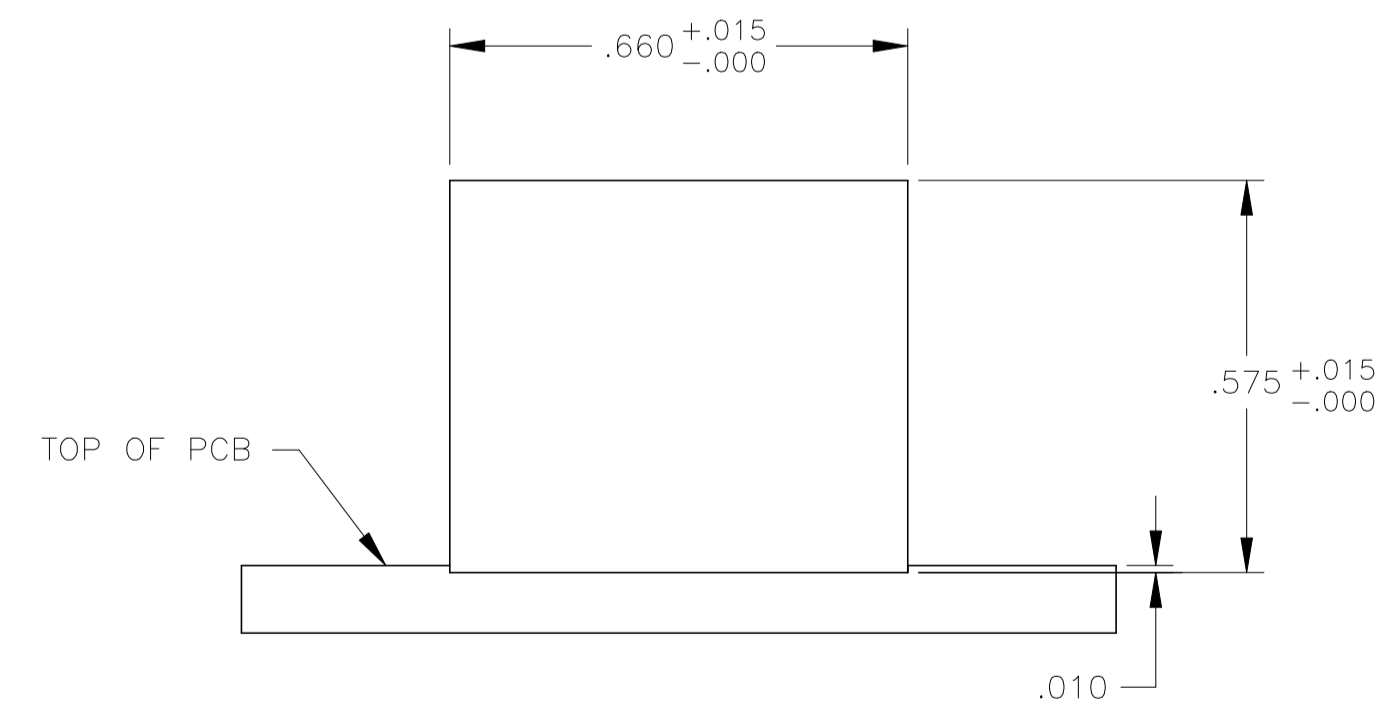
ELECTRICAL:



C1 = 1000 pF, 2kV DECOUPLING CAPACITOR
 R1-R2 = 75 OHMS, 1/16W, 5% RESISTORS



**Suggested PCB Layout
(Component Side)**



Suggested Panel Cutout

MATERIALS:

- HOUSING - THERMOPLASTIC PET POLYESTER FLAMMABILITY RATING UL 94V-0
- SHIELD - .010" THICK, C26800 BRASS PREPLATED WITH 30μNCH MIN SEMI-BRIGHT NICKEL, SOLDER TABS POST DIPPED WITH 100μNCH MIN SAC SOLDER
- MOD JACK CONTACTS - 0.0157" x 0.018" PHOSPHOR BRONZE, 50μNCH MIN OVERALL NICKEL UNDERPLATE, WITH SELECT 50μNCH MIN HARD GOLD FINISH PLATE. SOLDER TAILS WITH 100μNCH MIN MATTE TIN AND/OR SAC SOLDER DIP.
- LIGHT EMITTING DIODE(LED) - DIFFUSED EPOXY LENS, .020" x .020" CARBON STEEL WIREFRAME LEADS PRE-PLATED WITH 80μNCH SILVER OVER 40μNCH NICKEL UNDERPLATE OVER 40μNCH COPPER UNDERPLATE, POST-PLATED WITH 100μNCH MIN MATTE TIN AND/OR SAC SOLDER DIP OR PURE TIN SOLDER DIP.

REGULATIONS:

- RJ45 JACK CAVITY CONFORMS TO FCC RULES AND REGULATIONS PART 68, SUB PART F.

MAGNETICS:

- IMPEDANCE: 100 OHMS
- TURNS RATIO (CHIP:CABLE): TX = 1:1, RX = 1:1
- OPEN CIRCUIT INDUCTANCE (OCL): 350μH MIN @100kHz, 0.1VRMS, 8mADC BIAS FROM -40°C TO +85°C, TX AND RX
- POE CURRENT: 350mADC MAX
- PERFORMANCE @ 25°C:
 INSERTION LOSS (IL): 1.1dB MAX FROM 0.5MHz TO 100MHz
 RETURN LOSS (RL): 18dB MIN FROM 0.5MHz TO 30MHz
 18-20LOG(f/30)dB MIN FROM 30.1MHz TO 60MHz
 12dB MIN FROM 60.1MHz TO 80MHz
 CROSSTALK ATTENUATION: 35dB MIN FROM 0.5MHz TO 40MHz
 33-20xLOG(f/50)dB MIN FROM 40.1MHz TO 100MHz
 COMMON MODE REJECTION RATIO (CMRR): 30dB MIN FROM 0.5MHz TO 100MHz
 -ISOLATION VOLTAGE: 2250VDC (MAX) FOR 60 SECONDS WITH A RISE TIME OF 500V/SEC.

OPERATING TEMPERATURE:

- FROM -40° - +85°C INDUSTRIAL TEMPERATURE RATED.

LEDS WITH BUILT-IN RESISTOR

- LEDS ARE DRIVEN WITH 5V VOLTAGE AND THE MAX OPERATING CURRENT IS 20mA.
- LED COLOR : DOMINANT WAVELENGTH (λD): GREEN 568 nm TYP. @ VF=5V
 FORWARD CURRENT (IF): GREEN 12 mA TYP. @ VF=5V
 DOMINANT WAVELENGTH (λD): YELLOW 588 nm TYP. @ VF=5V
 FORWARD CURRENT (IF): YELLOW 13 mA TYP. @ VF=5V

MAGNETIC CONNECTIONS:

- INDICATED MAGNETIC CONNECTIONS ARE SYMMETRICAL TO SUPPORT AUTO-MDI/MDIX.

MARKING:

- TRP CONNECTOR LOGO, PART NUMBER, DATE CODE, COUNTRY OF ORIGIN AND AGENCY APPROVAL MARKING IN APPROXIMATE LOCATION SHOWN.

WELDING:

- THE PART IS RECOMMENDED FOR WAVE SOLDERING PROCESS, PEAK WAVE SOLDERING TEMPERATURE IS 260°C MAX, 10 SECONDS MAX.

GREEN	GREEN	6-6605851-1
LED1 5	LED2 5	PART NUMBER

THIS DRAWING IS A CONTROLLED DOCUMENT.		DWN L. VARELA - DOCK5 07MAR2005		GREEN		6-6605851-1	
DIMENSIONS: INCHES		CHK D. FAROLE 07MAR2005		D. FAROLE		PART NUMBER	
TOLERANCES UNLESS OTHERWISE SPECIFIED:		APVD D. FAROLE 07MAR2005		MODEL NAME		DESC 1X1 7U26ET 10/100 POE TAB UP W/ LED	
0 PLC ± -		MAGJACK SINGLE POE		SIZE A1		RESTRICTED TO	
1 PLC ± .010		CUSTOMER DRAWING		CAGE CODE		SCALE 4:1	
2 PLC ± .005		SCALE 4:1		DRAWING NO C-6605851		SHEET 1 OF 1	
3 PLC ± -		SCALE 4:1		REV E		REV E	
4 PLC ± -		SCALE 4:1		REV E		REV E	
ANGLES ± -		SCALE 4:1		REV E		REV E	
APPLICATION SPEC		SCALE 4:1		REV E		REV E	

