



Chipsmall Limited consists of a professional team with an average of over 10 year of expertise in the distribution of electronic components. Based in Hongkong, we have already established firm and mutual-benefit business relationships with customers from,Europe,America and south Asia,supplying obsolete and hard-to-find components to meet their specific needs.

With the principle of "Quality Parts,Customers Priority,Honest Operation,and Considerate Service",our business mainly focus on the distribution of electronic components. Line cards we deal with include Microchip,ALPS,ROHM,Xilinx,Pulse,ON,Everlight and Freescale. Main products comprise IC,Modules,Potentiometer,IC Socket,Relay,Connector.Our parts cover such applications as commercial,industrial, and automotives areas.

We are looking forward to setting up business relationship with you and hope to provide you with the best service and solution. Let us make a better world for our industry!



Contact us

Tel: +86-755-8981 8866 Fax: +86-755-8427 6832

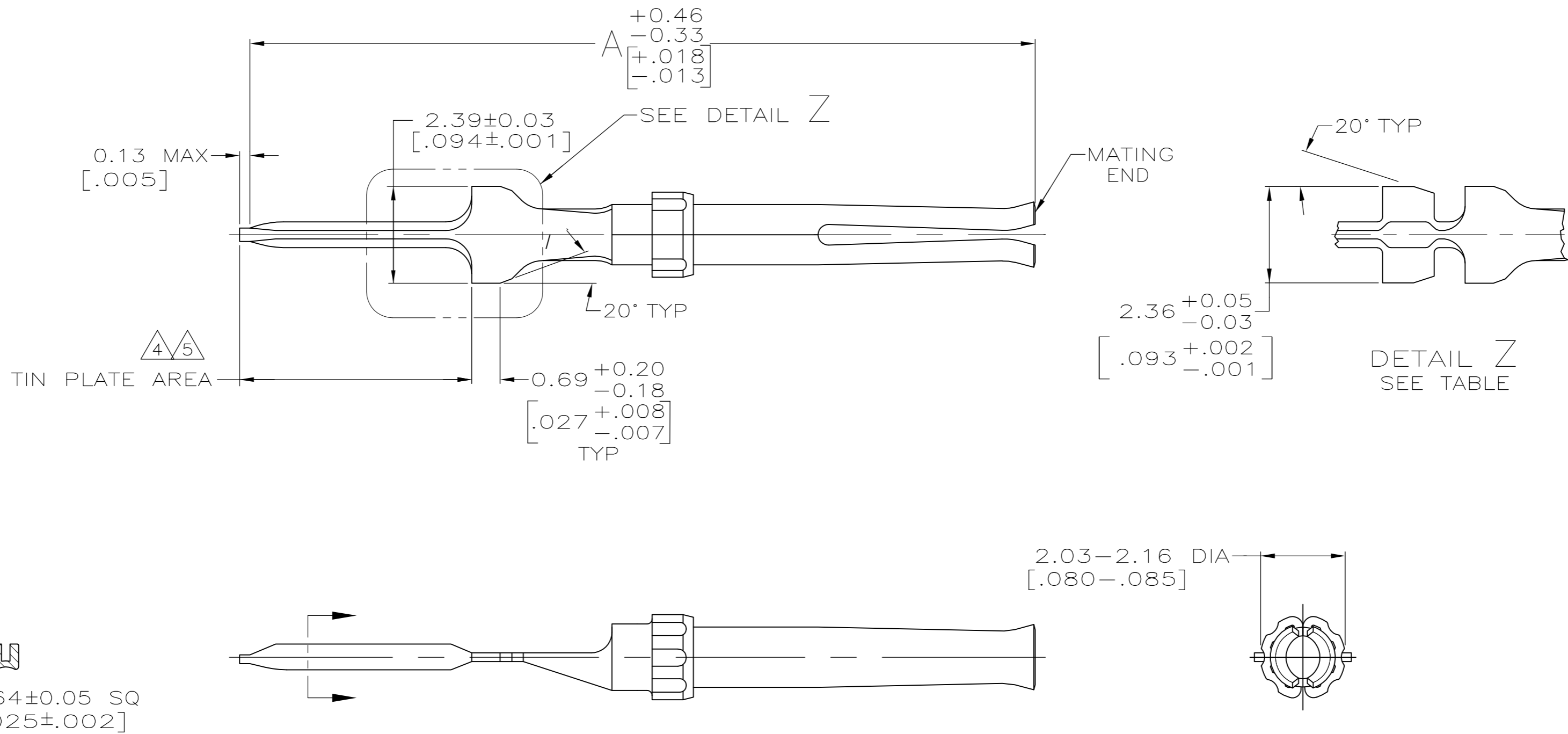
Email & Skype: info@chipsmall.com Web: www.chipsmall.com

Address: A1208, Overseas Decoration Building, #122 Zhenhua RD., Futian, Shenzhen, China



THIS DRAWING IS UNPUBLISHED. RELEASED FOR PUBLICATION
 © COPYRIGHT - By - ALL RIGHTS RESERVED.

LOC		DIST		REVISIONS			
P	LTR	DESCRIPTION		DATE	DWN	APVD	
GP	00	M		REVISED PER ECO-12-021105	27DEC2012	CJV	SLB



- FOR MATING CONTACT SEE DRAWING 745287.
- TO BE USED FOR REPLACEMENT ONLY.
- PLATED GOLD FLASH FOR LENGTH OF 2.54 [.100] MIN FROM MATING END, 2.54μm [.000100] MIN TIN ON TIN PLATE AREA, ALL OVER 1.27μm [.000050] MIN NICKEL.
- PLATED GOLD FLASH FOR LENGTH OF 2.54 [.100] MIN FROM MATING END 2.54μm [.000100] MIN TIN-LEAD ON TIN PLATE AREA, ALL OVER 1.27μm [.000050] MIN NICKEL.
- PLATED 0.76μm [.000030] GOLD FOR LENGTH OF 2.54 [.100] MIN FROM MATING END, 2.54μm [.000100] MIN TIN-LEAD ON TIN PLATE AREA, ALL OVER 1.27μm [.000050] MIN NICKEL.
- GOLD PLATED AS FOLLOWS:
 PLATED WITH 0.76μm [.000030] GOLD FOR A LENGTH OF 2.54 [.100] MIN FROM MATING END, 2.54μm [.000100] MIN TIN ON TIN PLATE AREA, ALL OVER 1.27μm [.000050] MIN NICKEL.
 OR
 GOLD FLASH OVER PALLADIUM-NICKEL PLATE, 0.76μm [.000030] MIN TOTAL FOR A LENGTH OF 2.54 [.100] MIN FROM MATING END, 2.54μm [.000100] MIN TIN ON TIN PLATE AREA, ALL OVER 1.27μm [.000050] MIN NICKEL.
- MATERIAL: PHOSPHOR BRONZE.

	PER DETAIL Z	26.92 [1.060]	3	7-745288-2
OBSOLETE	AS SHOWN	30.15 [1.187]	6	7-745288-0
	PER DETAIL Z	32.56 [1.282]	6	6-745288-1
	PER DETAIL Z	26.92 [1.060]	6	5-745288-8
	AS SHOWN	19.30 [.760]	6	5-745288-5
OBSOLETE	AS SHOWN	30.15 [1.187]	5	4-745288-4
OBSOLETE	AS SHOWN	21.16 [.833]	5	2-745288-0
OBSOLETE	AS SHOWN	21.16 [.833]	4	1-745288-8
OBSOLETE	PER DETAIL Z	32.56 [1.282]	5	1-745288-2
OBSOLETE	PER DETAIL Z	32.56 [1.282]	4	1-745288-0
OBSOLETE	PER DETAIL Z	26.92 [1.060]	5	745288-8
OBSOLETE	PER DETAIL Z	26.92 [1.060]	4	745288-6
OBSOLETE	AS SHOWN	19.30 [.760]	5	745288-4
OBSOLETE	AS SHOWN	19.30 [.760]	4	745288-2

THIS DRAWING IS A CONTROLLED DOCUMENT. DIMENSIONING AND TOLERANCING PER ASME Y14.5M-2009

DWN R.SHIREY 29 JAN 91
 CHK J.MCCLINTON 06 FEB 91

TE Connectivity

SOCKET CONTACT, SIZE 20 DF, AMPLIMITE

SIZE A2 CAGE CODE 00779 DRAWING NO C=745288 RESTRICTED TO

MATERIAL FINISH 3 4 5 6 WEIGHT - SCALE 10:1 SHEET 1 OF 1 REV M