



Chipsmall Limited consists of a professional team with an average of over 10 year of expertise in the distribution of electronic components. Based in Hongkong, we have already established firm and mutual-benefit business relationships with customers from,Europe,America and south Asia,supplying obsolete and hard-to-find components to meet their specific needs.

With the principle of “Quality Parts,Customers Priority,Honest Operation,and Considerate Service”,our business mainly focus on the distribution of electronic components. Line cards we deal with include Microchip,ALPS,ROHM,Xilinx,Pulse,ON,Everlight and Freescale. Main products comprise IC,Modules,Potentiometer,IC Socket,Relay,Connector.Our parts cover such applications as commercial,industrial, and automotives areas.

We are looking forward to setting up business relationship with you and hope to provide you with the best service and solution. Let us make a better world for our industry!



## Contact us

Tel: +86-755-8981 8866 Fax: +86-755-8427 6832

Email & Skype: info@chipsmall.com Web: www.chipsmall.com

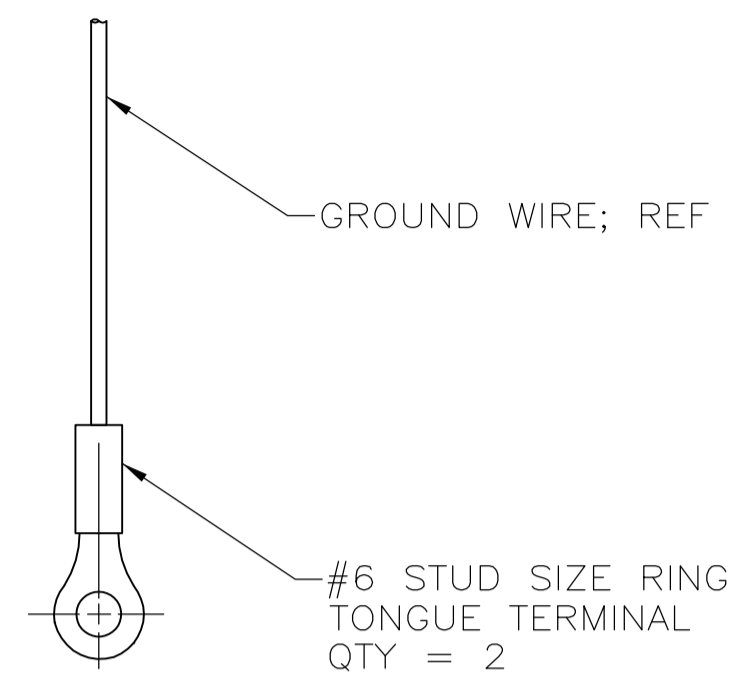
Address: A1208, Overseas Decoration Building, #122 Zhenhua RD., Futian, Shenzhen, China



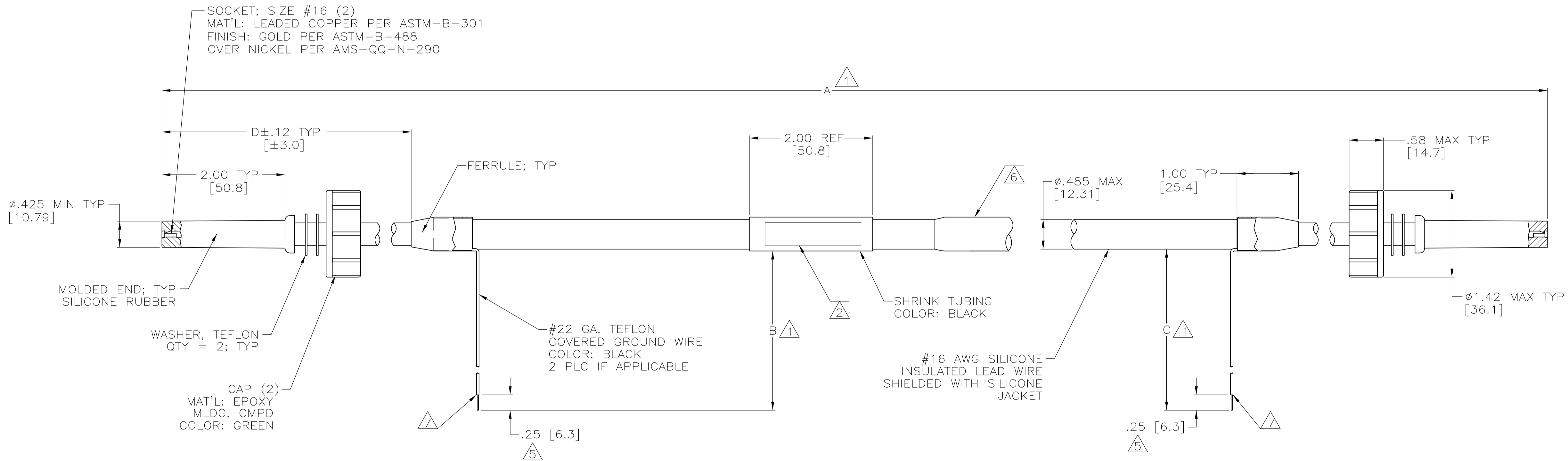
PART NO.	A	B	C	D	REMARKS
846950-1	1200.00 [30480.0]	12.00 [304.8]	12.00 [304.8]	4.00 [101.6]	△ OBSOLETE
846950-2	480.00 [12192.0]	12.00 [304.8]	12.00 [304.8]	4.00 [101.6]	△ OBSOLETE
846950-3	180.00 [4572.0]	12.00 [304.8]	12.00 [304.8]	4.00 [101.6]	△ OBSOLETE
846950-4	60.00 [1524.0]	12.00 [304.8]	12.00 [304.8]	4.00 [101.6]	△ OBSOLETE
846950-5	192.00 [4876.8]	12.00 [304.8]	12.00 [304.8]	4.00 [101.6]	△ OBSOLETE
846950-6	12.00 [304.8]	12.00 [304.8]	12.00 [304.8]	2.62 [66.5]	△
846950-7	12.00 [304.8]	24.00 [609.6]	24.00 [609.6]	2.75 [69.9]	△
846950-8	108.00 [2743.2]	12.00 [304.8]	12.00 [304.8]	4.00 [101.6]	△
846950-9	108.00 [2743.2]	12.00 [304.8]	-	4.00 [101.6]	△ OBSOLETE
1-846950-0	48.00 [1219.2]	12.00 [304.8]	12.00 [304.8]	4.00 [101.6]	△
1-846950-1	10.00 [254.0]	12.00 [304.8]	-	3.00 [76.2]	△ OBSOLETE
1-846950-2	15.00 [381.0]	12.00 [304.8]	-	3.00 [76.2]	△ OBSOLETE
1-846950-3	24.00 [609.6]	12.00 [304.8]	-	3.00 [76.2]	△ OBSOLETE
1-846950-4	96.00 [2438.4]	12.00 [304.8]	12.00 [304.8]	3.00 [76.2]	△
1-846950-5	70.00 [1778.0]	12.00 [304.8]	12.00 [304.8]	4.00 [101.6]	△
1-846950-6	32.50 [825.5]	6.00 [152.4]	6.00 [152.4]	4.00 [101.6]	△ OBSOLETE
1-846950-7	50.00 [1270.0]	12.00 [304.8]	12.00 [304.8]	4.00 [101.6]	△
1-846950-8	20.00 [508.0]	12.00 [304.8]	12.00 [304.8]	4.00 [101.6]	△
1-846950-9	30.00 [762.0]	12.00 [304.8]	-	4.00 [101.6]	△
2-846950-0	79.00 [2006.6]	12.00 [304.8]	12.00 [304.8]	6.00 [152.4]	△
2-846950-1	300.00 [7620.0]	12.00 [304.8]	12.00 [304.8]	4.00 [101.6]	△ OBSOLETE
2-846950-2	348.00 [8839.2]	12.00 [304.8]	12.00 [304.8]	4.00 [101.6]	△
2-846950-3	17.00 [431.8]	12.00 [304.8]	12.00 [304.8]	4.00 [101.6]	△
2-846950-4	26.00 [660.4]	12.00 [304.8]	12.00 [304.8]	4.00 [101.6]	△ OBSOLETE
2-846950-5	14.00 [355.6]	12.00 [304.8]	12.00 [304.8]	3.00 [76.2]	△
2-846950-6	216.50 [5500.1]	12.00 [304.8]	12.00 [304.8]	4.00 [101.6]	△
5-846950-8	108.00 [2743.2]	12.00 [304.8]	12.00 [304.8]	4.00 [101.6]	△
6-846950-0	48.00 [1219.2]	12.00 [304.8]	12.00 [304.8]	4.00 [101.6]	△
6-846950-8	20.00 [508.0]	12.00 [304.8]	12.00 [304.8]	4.00 [101.6]	△
7-846950-0	79.00 [2006.6]	12.00 [304.8]	12.00 [304.8]	6.00 [152.4]	△

LOC	DIST	REVISIONS					
DF	SO	REV	PER	DESCRIPTION	DATE	BY	APPV
AA	REV PER	ECO-10-025047			24DEC10	SK	DE

- △1 TOLERANCE OF LEAD LENGTH:  
UP TO 24 INCHES [609.6] = ±.12 [±3.0]  
24 INCHES [609.6] & UP = ±1%
- △2 MARKED PER MIL-STD-130.
- 3. TO MATE WITH AMP LGH-4 RECEPTACLE WITH 2.00 [50.8] BARREL DEPTH.
- 4. OPERATING VOLTAGE: 50 KVDC AT 0 TO 70,000 FEET, -55°C TO 125°C.
- △5 WHERE APPLICABLE PIGTAIL IS SOLDER DIPPED.
- △6 FOR LEAD ASSY'S THAT REQUIRE MORE THAN ONE PIECE OF SILICONE TUBING A 2.00" MAX OVERLAP IS PERMISSABLE.
- △7 INSULATION CUT, BUT NOT REMOVED.



846950-6 ONLY  
SCALE 2:1



THIS DRAWING IS A CONTROLLED DOCUMENT.		DIN C.C.THOMAS 28-MAR-90	Tyco Electronics Corporation Harrisburg, Pa 17105-3608	
DIMENSIONS: INCHES (mm)		CHK D.OPLINGER 09-APR-90	NAME D.OPLINGER 09-APR-90	
TOLERANCES UNLESS OTHERWISE SPECIFIED: 0 PLC ± - 1 PLC ± - 2 PLC ± .02 [0.5] 3 PLC ± - 4 PLC ± - ANGLES ± -		PRODUCT SPEC APPLICATION SPEC RESTRICTED TO		
MATERIAL SECC ALLOUTS FINISH SEE CALLOUTS		WEIGHT -	SIZE A1	CAGE CODE 00779
		DRAWING NO. 846950	REV AA	
		CUSTOMER DRAWING		
		SCALE 1:1	SHEET 1 OF 1	REV AA