



Chipsmall Limited consists of a professional team with an average of over 10 year of expertise in the distribution of electronic components. Based in Hongkong, we have already established firm and mutual-benefit business relationships with customers from,Europe,America and south Asia,supplying obsolete and hard-to-find components to meet their specific needs.

With the principle of “Quality Parts,Customers Priority,Honest Operation,and Considerate Service”,our business mainly focus on the distribution of electronic components. Line cards we deal with include Microchip,ALPS,ROHM,Xilinx,Pulse,ON,Everlight and Freescale. Main products comprise IC,Modules,Potentiometer,IC Socket,Relay,Connector.Our parts cover such applications as commercial,industrial, and automotives areas.

We are looking forward to setting up business relationship with you and hope to provide you with the best service and solution. Let us make a better world for our industry!



Contact us

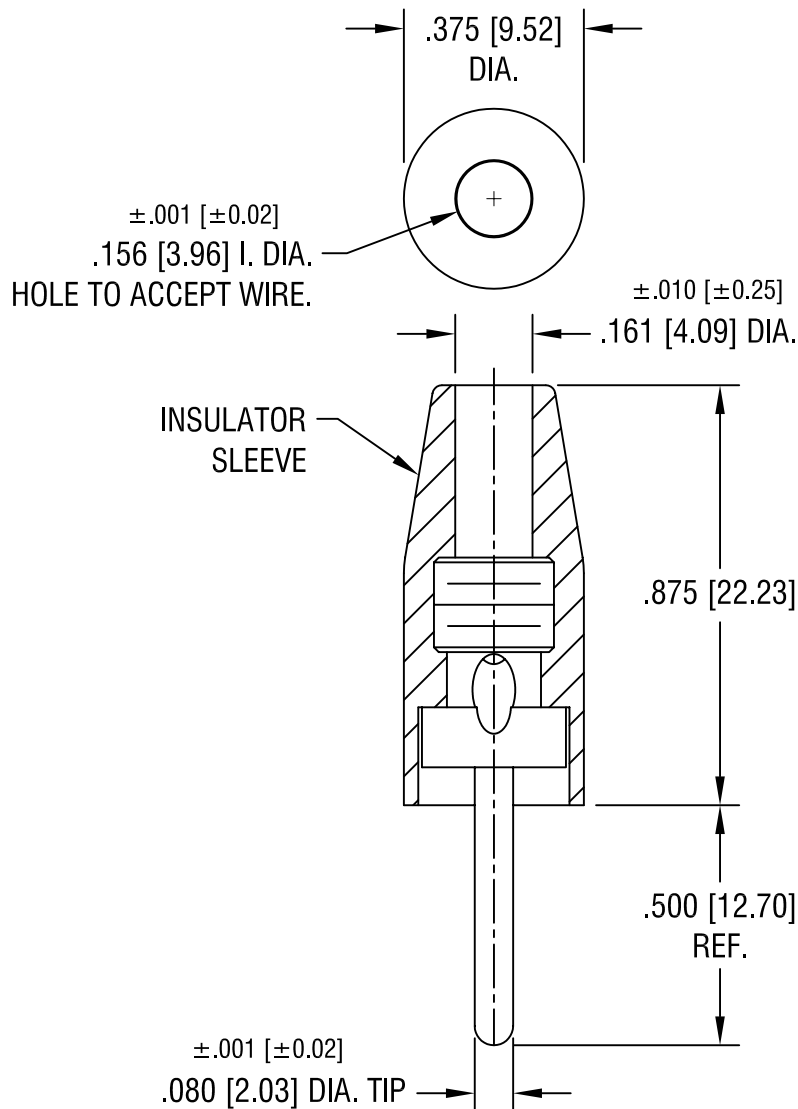
Tel: +86-755-8981 8866 Fax: +86-755-8427 6832

Email & Skype: info@chipsmall.com Web: www.chipsmall.com

Address: A1208, Overseas Decoration Building, #122 Zhenhua RD., Futian, Shenzhen, China



THIS DOCUMENT IS THE PROPERTY OF
KEYSTONE ELECTRONICS CORP. AND
SHALL NOT BE REPRODUCED, DISTRIBUTED
OR USED AS A BASIS FOR MANUFACTURE
WITHOUT PRIOR WRITTEN PERMISSION
FROM KEYSTONE ELECTRONICS CORP.



PART NO.	SLEEVE COLOR
6000	WHITE
6001	RED
6002	BLACK
6003	GREEN
6004	YELLOW
6005	BLUE

NOTES:

- TIP: MAT'L - BRASS, NICKEL PLATE
BODY: MAT'L - NYLON 6/6 PER ASTM D4066

KEYSTONE ELECTRONICS CORP.

ASTORIA, N.Y. 11105-2017

PART NAME				SOLDERLESS TEST TIP PLUG			
MATERIAL				AS NOTED			
FINISH		AS NOTED		DRN BY	BOONE	DATE	6.8.06
				APP'D	LN	SCALE	2.5X
TOLERANCES	INCH	[MM]	CODE	DWG NO.			
DECIMAL	± .005	[± 0.15]	C/M	6000-6005			
ANGULAR ± 1°			UNLESS OTHERWISE SPECIFIED				

DATE	DESCRIPTION	REV.