



Chipsmall Limited consists of a professional team with an average of over 10 year of expertise in the distribution of electronic components. Based in Hongkong, we have already established firm and mutual-benefit business relationships with customers from,Europe,America and south Asia,supplying obsolete and hard-to-find components to meet their specific needs.

With the principle of “Quality Parts,Customers Priority,Honest Operation,and Considerate Service”,our business mainly focus on the distribution of electronic components. Line cards we deal with include Microchip,ALPS,ROHM,Xilinx,Pulse,ON,Everlight and Freescale. Main products comprise IC,Modules,Potentiometer,IC Socket,Relay,Connector.Our parts cover such applications as commercial,industrial, and automotives areas.

We are looking forward to setting up business relationship with you and hope to provide you with the best service and solution. Let us make a better world for our industry!



Contact us

Tel: +86-755-8981 8866 Fax: +86-755-8427 6832

Email & Skype: info@chipsmall.com Web: www.chipsmall.com

Address: A1208, Overseas Decoration Building, #122 Zhenhua RD., Futian, Shenzhen, China





FLS-PP Ip

Data sheet

- ZigBee Light Link certified ballast for RGB / W light control
- operation with mobile devices via the RaspBee gateway or wireless switches of dresden elektronik possible
- with gateways from Philips (Hue Bridge) and OSRAM (Lightify) compatible
- for LED strips with common anode



Technical Data



Electrical specifications

Input	12 / 24 V DC
Output	PWM sum current ≤ 6 A, Switch-off at limit value exceeded
Standby energy consumption	< 0.35 W
Frequency range	2.4 GHz
Radio standard	IEEE 802.15.4



Environmental information

Storage temperature	-20 °C - 55 °C
Operating temperature	-20 °C - 55 °C



Compatibility

Protocol	ZigBee
Profile	ZigBee Light Link

Particular markers

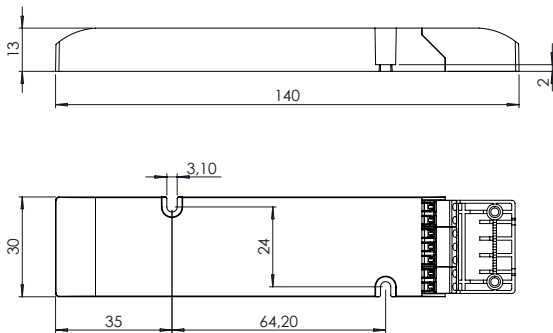


Further information

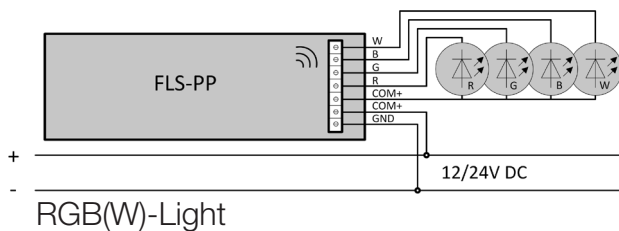
This product contains FCC-ID: XV-MEGA23M12.

Hereby, dresden elektronik ingenieurtechnik gmbh declares that the radio equipment type FLS-PP Ip is in compliance with directive 2014/53/EU. The full text of the EU declaration of conformity is available at the following internet address: www.dresden-elektronik.de

Dimensions in mm

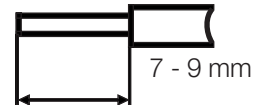


Connection diagram



Wire cross-section

wire preparation
0.2 - 0.75 □



Scope of delivery

FLS-PP Ip

BN-600057

Contact

dresden elektronik ingenieurtechnik gmbh
Enno-Heidebroek-Str. 12
01237 Dresden | Germany

Tel: +49 351 31850-0 Fax: -10
wireless@dresden-elektronik.de
www.dresden-elektronik.de