



Chipsmall Limited consists of a professional team with an average of over 10 year of expertise in the distribution of electronic components. Based in Hongkong, we have already established firm and mutual-benefit business relationships with customers from,Europe,America and south Asia,supplying obsolete and hard-to-find components to meet their specific needs.

With the principle of “Quality Parts,Customers Priority,Honest Operation,and Considerate Service”,our business mainly focus on the distribution of electronic components. Line cards we deal with include Microchip,ALPS,ROHM,Xilinx,Pulse,ON,Everlight and Freescale. Main products comprise IC,Modules,Potentiometer,IC Socket,Relay,Connector.Our parts cover such applications as commercial,industrial, and automotives areas.

We are looking forward to setting up business relationship with you and hope to provide you with the best service and solution. Let us make a better world for our industry!



Contact us

Tel: +86-755-8981 8866 Fax: +86-755-8427 6832

Email & Skype: info@chipsmall.com Web: www.chipsmall.com

Address: A1208, Overseas Decoration Building, #122 Zhenhua RD., Futian, Shenzhen, China



FLS-A Ip

Data sheet

- provides an analogue control voltage 1...10 V or a PWM signal on a wireless controlled basis on up to 4 separate or parallel switchable channels
- per channel max. 20 mA control current
- relay for the power cut-off of the power drivers integrated (common for all channels together)
- operation via gateways or wireless switches by dresden elektronik



Technical Data



Electrical specifications

| | |
|----------------------------|---|
| Input | 85-260 V AC 50 / 60 Hz |
| Switching output | Relay max. 8 A / 85 - 265 V AC Switching output not secured |
| Control output | Four separate outputs [1 - 10 V Bus (20 mA / channel) or Open Drain PWM (max. 27 V, 20 mA / channel)] |
| Frequenzy range | 2.4 GHz |
| Radio standard | IEEE 802.15.4 |
| Standby energy consumption | < 0.5 W (0.25 W typ.) |
| Protection | Electronic protection |
| Protection category | II |



Environmental information

| | |
|-----------------------|--------------------------------|
| Humidity | 5 % - 85 % r.H. not condensing |
| Storage temperature | -20 °C - 55 °C |
| Operating temperature | -20 °C - 55 °C |



Compatibility

| | |
|-------------|---|
| Protocol | ZigBee |
| Profile | ZigBee Home Automation |
| Controlling | Exclusively with gateways from dresden elektronik |

Particular markers

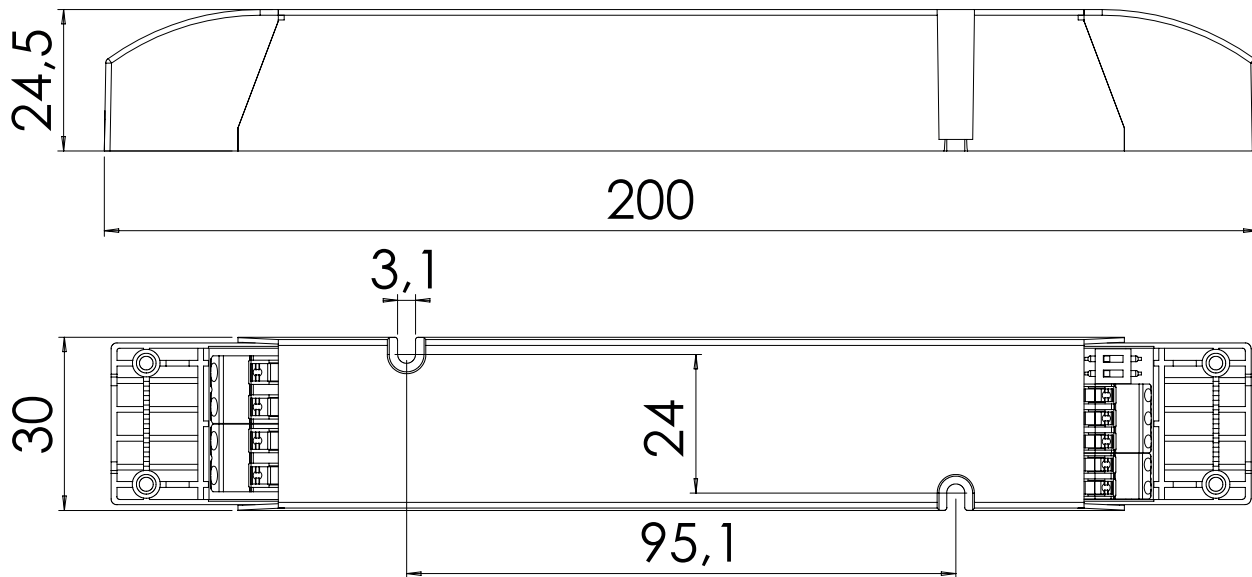


Further Information

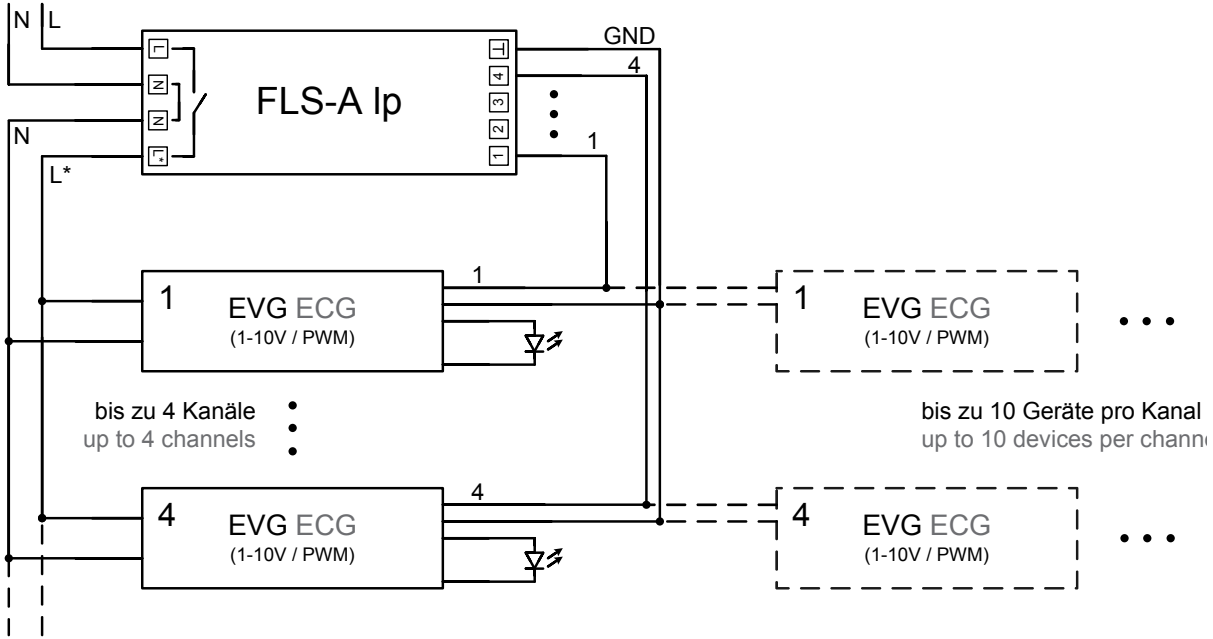
Hereby, dresden elektronik ingenieurtechnik gmbh declares that the radio equipment type FLS-A Ip is in compliance with directive 2014/53/EU. The full text of the EU declaration of conformity is available at the following internet address: www.dresden-elektronik.de

Attention: Installation only by qualified electricians!

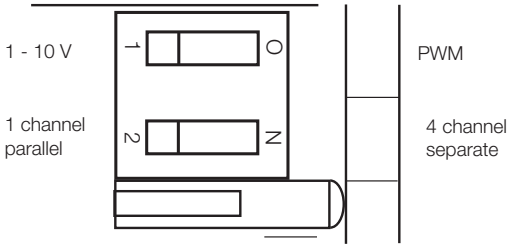
Dimensions in mm



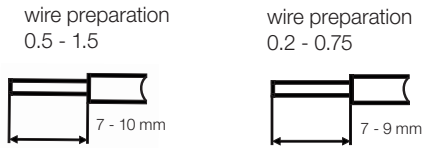
Connection diagram



Switch mode



Wire cross-section



Scope of delivery

FLS-A Ip

BN-600078

Contact

dresden elektronik ingenieurtechnik gmbh
 Enno-Heidebroek-Str. 12
 01237 Dresden | Germany

Tel: +49 351 31850-0 Fax: -10
 wireless@dresden-elektronik.de
 www.dresden-elektronik.de