



Chipsmall Limited consists of a professional team with an average of over 10 year of expertise in the distribution of electronic components. Based in Hongkong, we have already established firm and mutual-benefit business relationships with customers from,Europe,America and south Asia,supplying obsolete and hard-to-find components to meet their specific needs.

With the principle of “Quality Parts,Customers Priority,Honest Operation,and Considerate Service”,our business mainly focus on the distribution of electronic components. Line cards we deal with include Microchip,ALPS,ROHM,Xilinx,Pulse,ON,Everlight and Freescale. Main products comprise IC,Modules,Potentiometer,IC Socket,Relay,Connector.Our parts cover such applications as commercial,industrial, and automotives areas.

We are looking forward to setting up business relationship with you and hope to provide you with the best service and solution. Let us make a better world for our industry!



## Contact us

Tel: +86-755-8981 8866 Fax: +86-755-8427 6832

Email & Skype: info@chipsmall.com Web: www.chipsmall.com

Address: A1208, Overseas Decoration Building, #122 Zhenhua RD., Futian, Shenzhen, China



# FLS-AE Ip

## Data sheet

- allows wireless control of up to four independent luminaires with 1-10 V bus or PWM control input
- 20 mA control per channel (at least 10 devices per channel with 2 mA / device)
- integrated relay to switch off all power supplies completely
- operating mode can be configured between 1-10 V bus and PWM signal via switch
- switch between parallel and single channel operation possible [by dip switch]



### Technical Data



#### Electrical specifications

Input	85-265 V AC 50 / 60 Hz
Switching output	Relay max. 8 A / 85 - 265 VAC Switch output not secured
Control output	Four separate outputs [1 - 10 V Bus (20 mA / channel) or Open Drain PWM (max. 27 V, 20 mA / channel) ]
Frequency range	2.4 GHz
Radio standard	IEEE 802.15.4
Standby energy consumption	< 0.5 W (0.25 W typ.)
Protection	Electronic protection
Protection category	II
Antenna connection	SMA-female
Permissible antenna type	Stub antenna
Antenna gain	≤ 5 dBi



#### Environmental information

Humidity	5 % - 85 % r.H. not condensing
Storage temperature	-20 °C - 55 °C
Operating temperature	-20 °C -55 °C



#### Compatibility

Protocol	ZigBee
Profile	ZigBee Home Automation
Controlling	Exclusively with gateways from dresden elektronik

### Particular markers

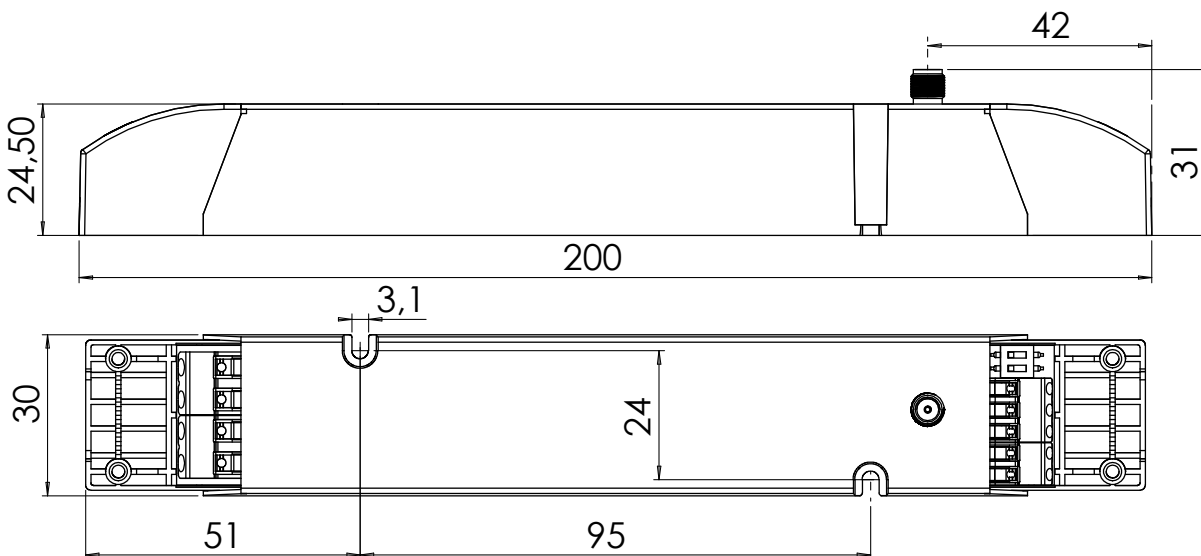


### Further information

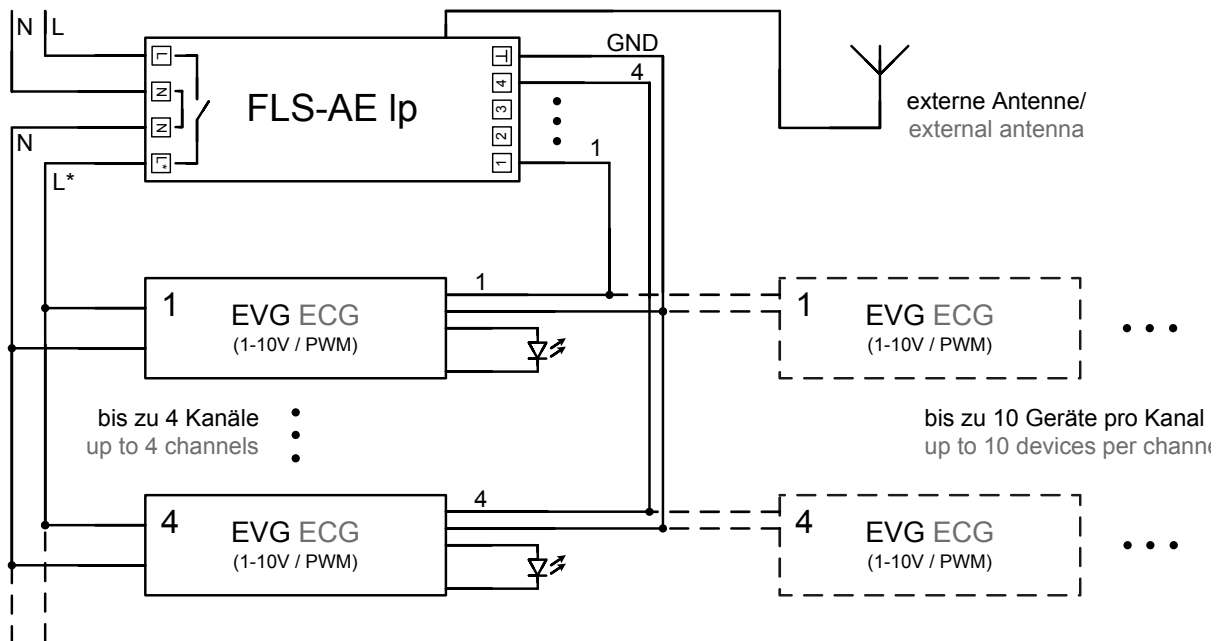
Hereby, dresden elektronik ingenieurtechnik gmbh declares that the radio equipment type FLS-AE Ip is in compliance with directive 2014/53/EU. The full text of the EU declaration of conformity is available at the following internet address: [www.dresden-elektronik.de](http://www.dresden-elektronik.de)

**Attention: Installation only by qualified electricians!**

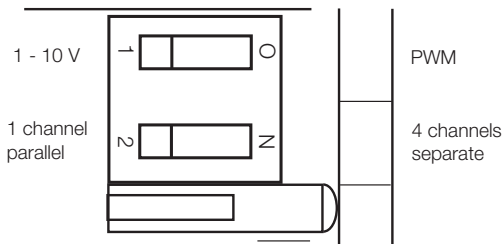
### Dimensions in mm



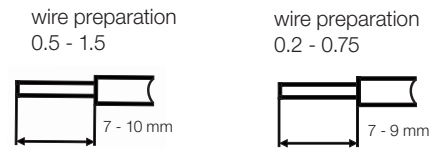
## Connection diagram



## Switch mode



## Wire cross-section



## Scope of delivery

FLS-AE Ip

BN-600091

## Contact

dresden elektronik ingenieurtechnik gmbh  
Enno-Heidebroek-Str. 12  
01237 Dresden | Germany

Tel: +49 351 31850-0 Fax: -10  
wireless@dresden-elektronik.de  
www.dresden-elektronik.de