



Chipsmall Limited consists of a professional team with an average of over 10 year of expertise in the distribution of electronic components. Based in Hongkong, we have already established firm and mutual-benefit business relationships with customers from,Europe,America and south Asia,supplying obsolete and hard-to-find components to meet their specific needs.

With the principle of "Quality Parts,Customers Priority,Honest Operation,and Considerate Service",our business mainly focus on the distribution of electronic components. Line cards we deal with include Microchip,ALPS,ROHM,Xilinx,Pulse,ON,Everlight and Freescale. Main products comprise IC,Modules,Potentiometer,IC Socket,Relay,Connector.Our parts cover such applications as commercial,industrial, and automotives areas.

We are looking forward to setting up business relationship with you and hope to provide you with the best service and solution. Let us make a better world for our industry!



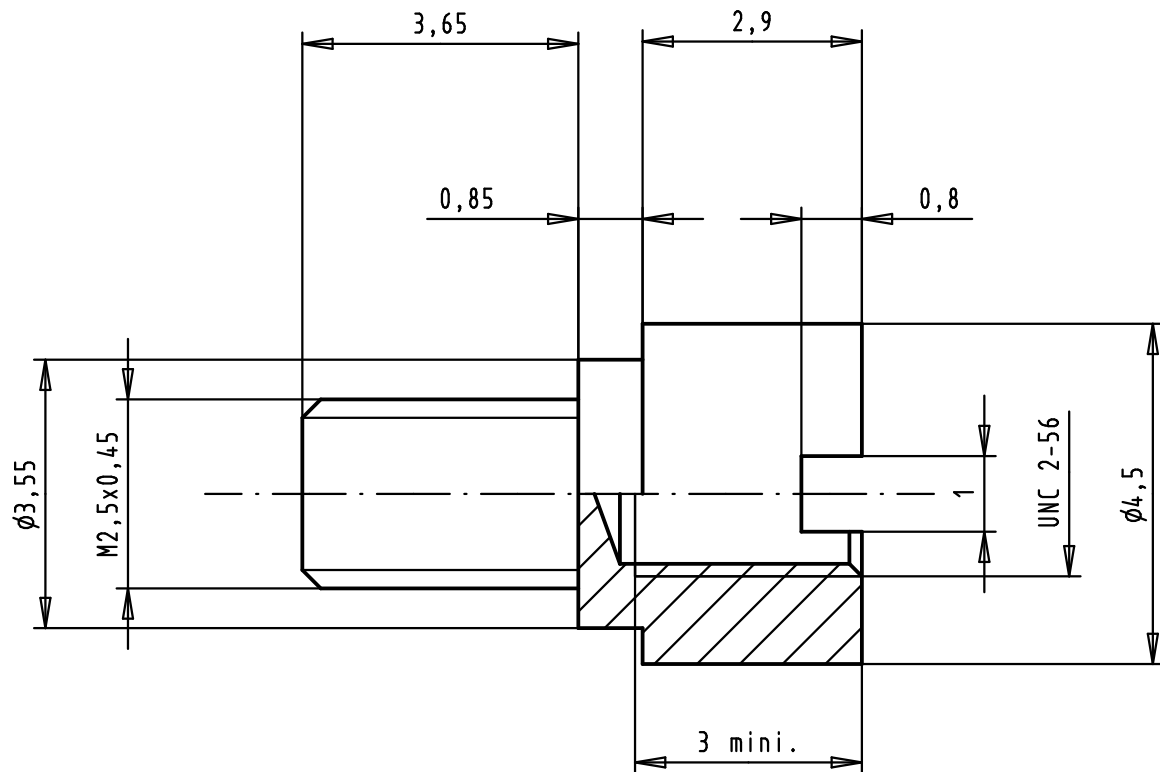
## Contact us

Tel: +86-755-8981 8866 Fax: +86-755-8427 6832



Email & Skype: info@chipsmall.com Web: www.chipsmall.com

Address: A1208, Overseas Decoration Building, #122 Zhenhua RD., Futian, Shenzhen, China





Material : Copper alloy  
 Plating : Nickel  
 Tightening torque : 0,30 N.m  
 Assembly: with panel  $1 \pm 0,1$  or without panel

			Dot.	Name	 All Dim. in mm Orig. Size DIN A 4	har-mik:	Maßstab/ Scale	
			Detail.	19/09/95		jfb	Female screwlock	10:1
			Insp.				thread: M2,5 / UNC 2-56	
			Stand.					
32516	21/01/05	TR	HARTING EURL F-95972 Paris				TB 60 01 000 9013	Blatt/ Page
16248	19/09/95	jfb						1 / 1
Mod.	Dot.	Name						Sub.