



Chipsmall Limited consists of a professional team with an average of over 10 year of expertise in the distribution of electronic components. Based in Hongkong, we have already established firm and mutual-benefit business relationships with customers from,Europe,America and south Asia,supplying obsolete and hard-to-find components to meet their specific needs.

With the principle of “Quality Parts,Customers Priority,Honest Operation,and Considerate Service”,our business mainly focus on the distribution of electronic components. Line cards we deal with include Microchip,ALPS,ROHM,Xilinx,Pulse,ON,Everlight and Freescale. Main products comprise IC,Modules,Potentiometer,IC Socket,Relay,Connector.Our parts cover such applications as commercial,industrial, and automotives areas.

We are looking forward to setting up business relationship with you and hope to provide you with the best service and solution. Let us make a better world for our industry!



Contact us

Tel: +86-755-8981 8866 Fax: +86-755-8427 6832

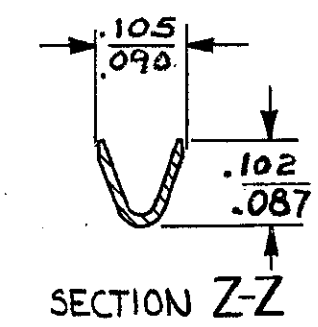
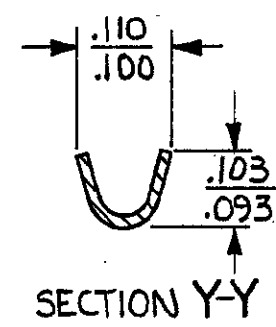
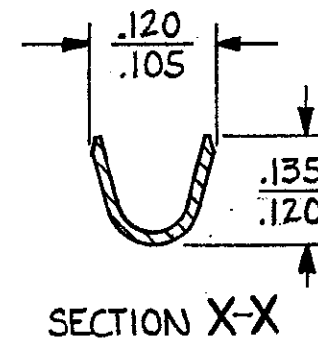
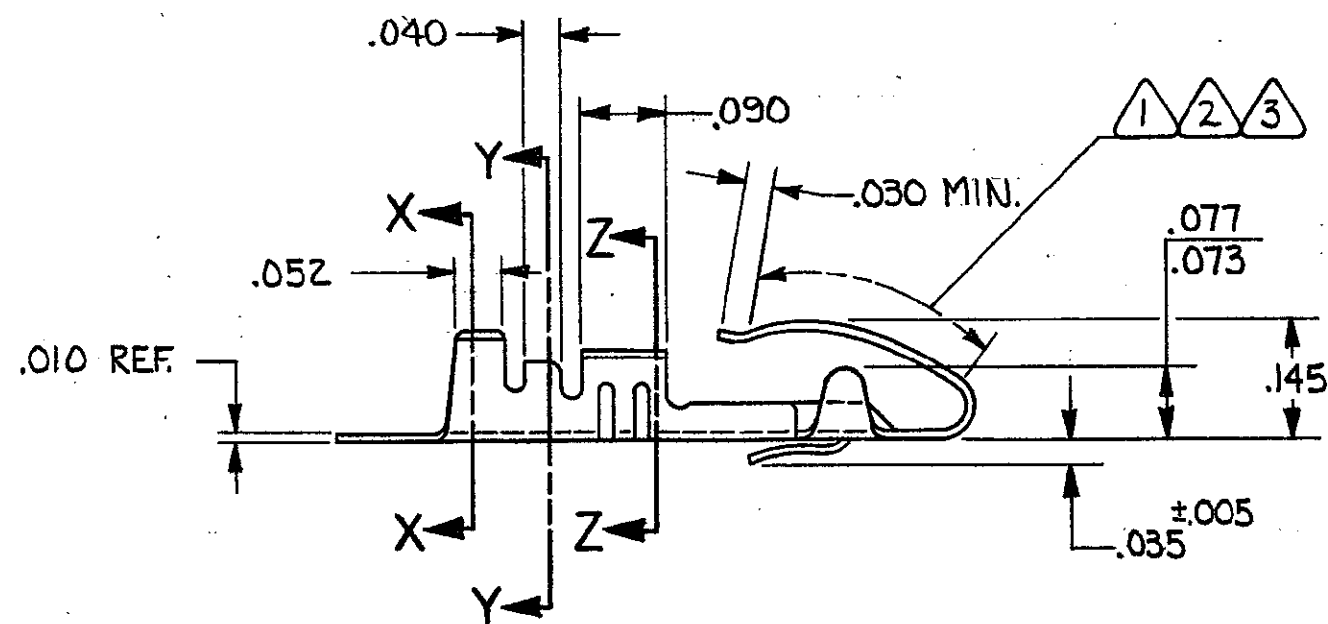
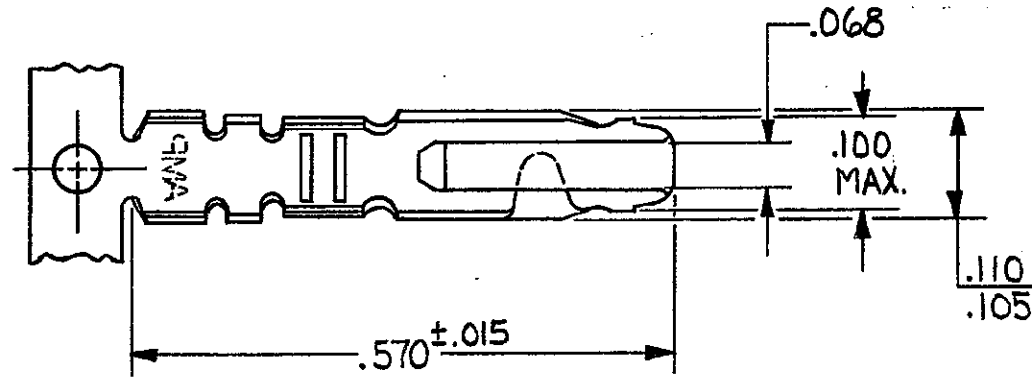
Email & Skype: info@chipsmall.com Web: www.chipsmall.com

Address: A1208, Overseas Decoration Building, #122 Zhenhua RD., Futian, Shenzhen, China



THIS DRAWING IS UNPUBLISHED. RELEASED FOR PUBLICATION
 © COPYRIGHT 1962 BY AMP INCORPORATED, HARRISBURG, PA. ALL INTERNATIONAL RIGHTS RESERVED. AMP PRODUCTS MAY BE COVERED BY U.S. AND FOREIGN PATENTS AND/OR PATENTS PENDING.

REVISIONS						
P	F	ZONE	LTR	DESCRIPTION	DATE	APPROVED
			H	REDRAWN & ADDED -8,-4	7497	11-13-81
			J	REVISED PLATING	766512	
			K	REVISED <i>M.S. 7818</i>		2-82
			L	REVISED PER AD1327		7-23-86 CP/10/11 8/5/8
			M	REV PER AD 1735		7-22-87 LEW
			N	OBS-3 ECN 0679-93		7-93 RAC
			P	REV PER EC 0320-349-97		25 Nov 97 NS
			P1	REVISED PER ECO-09-025273		16 NOV 09 AEG



- ① .000030 GOLD OVER NICKEL IN CONTACT AREA, REMAINDER OF CONTACT GOLD FLASH.
- ② .000015 GOLD OVER .000050 NICKEL IN CONTACT AREA, REMAINDER OF CONTACT GOLD FLASH.
- ③ .000030 GOLD OVER .000050 NICKEL IN CONTACT AREA, REMAINDER OF CONTACT NICKEL PLATED.
- 4. WIRE RANGE #22-#18 INSULATION RANGE .055-.080
- ⑤ OBSOLETE PARTS: OBSOLETE CIS STREAMLINING PER D.RENAUD/D.SINISI

						60030-7	③ PHOS. BRONZE 60030-6
						60030-8	② PHOS. BRONZE 60030-4 ⑤
						60030-5	① PHOS. BRONZE 60030-3

SUPERCEDED

UNLESS OTHERWISE SPECIFIED DIMENSIONS ARE IN INCHES. TOLERANCES ON: DECIMALS ±.010 ANGLES ±		CONTRACT NO		AMP INCORPORATED Harrisburg, Pa. 17105	
MATERIAL SEE CHART		DR <i>Debra Kelly</i> 11-13-81		NAME AMP LEAF CONTACT	
FINISH ①②③		CHK <i>Ray</i>		SIZE C FSCM NO 00779 DRAWING NO 60030	
		APPD <i>Ray Johnston</i> 11-18-81		SCALE 5-1 SHEET 1 OF 1	
		APPD <i>Mike Thompson</i> 11-18-81			
		DSGN APPD			
		OTHER APPD			