



Chipsmall Limited consists of a professional team with an average of over 10 year of expertise in the distribution of electronic components. Based in Hongkong, we have already established firm and mutual-benefit business relationships with customers from,Europe,America and south Asia,supplying obsolete and hard-to-find components to meet their specific needs.

With the principle of “Quality Parts,Customers Priority,Honest Operation,and Considerate Service”,our business mainly focus on the distribution of electronic components. Line cards we deal with include Microchip,ALPS,ROHM,Xilinx,Pulse,ON,Everlight and Freescale. Main products comprise IC,Modules,Potentiometer,IC Socket,Relay,Connector.Our parts cover such applications as commercial,industrial, and automotives areas.

We are looking forward to setting up business relationship with you and hope to provide you with the best service and solution. Let us make a better world for our industry!



Contact us

Tel: +86-755-8981 8866 Fax: +86-755-8427 6832

Email & Skype: info@chipsmall.com Web: www.chipsmall.com

Address: A1208, Overseas Decoration Building, #122 Zhenhua RD., Futian, Shenzhen, China



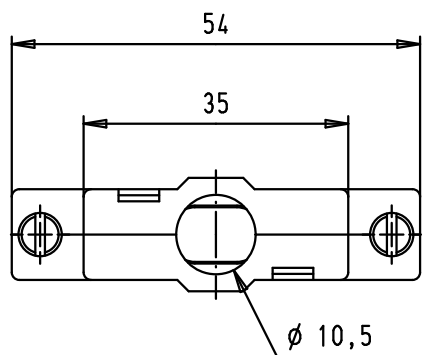
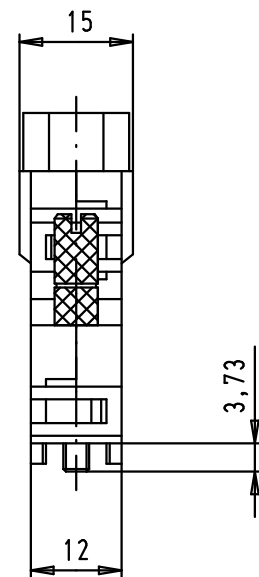
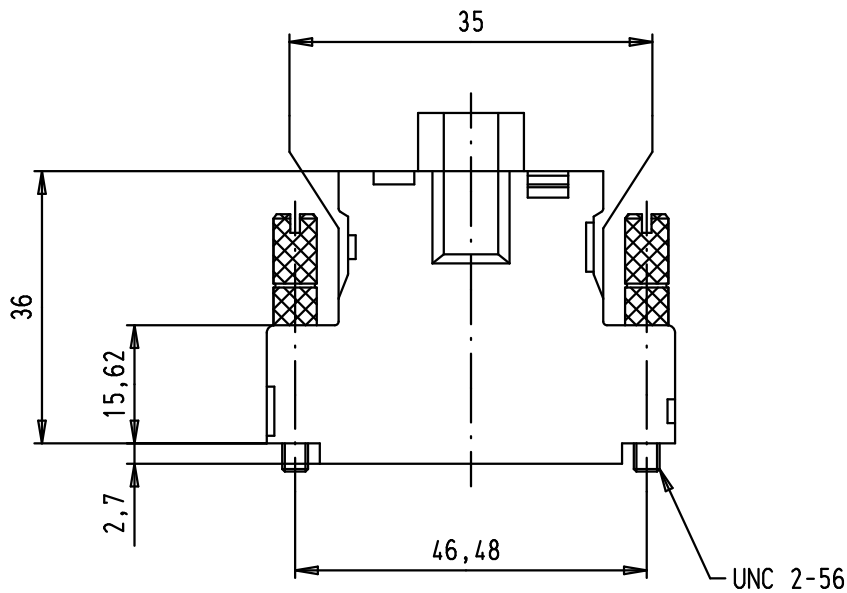
5

4

3

2

1



					Dat.	Name		<p>Har-mik Plastic hood with metal insert for IDC pin/socket connector with 2-56 UNC jack screws</p>	Maßstab/ Scale	
					Detail.	03/08/06			PK	1:1
					Insp.					
					Stand.					
									Blatt/ Page	
									TB 60 03 050 0143	1 / 1
35278	28/08/08	PK	HARTING EURL							
33790	03/08/06	PK	F-95972 Paris							
Mod.	Dat.	Name								

All Dim. in mm
Orig. Size DIN A 4



TB 60 03 050 0143