



Chipsmall Limited consists of a professional team with an average of over 10 year of expertise in the distribution of electronic components. Based in Hongkong, we have already established firm and mutual-benefit business relationships with customers from,Europe,America and south Asia,supplying obsolete and hard-to-find components to meet their specific needs.

With the principle of “Quality Parts,Customers Priority,Honest Operation,and Considerate Service”,our business mainly focus on the distribution of electronic components. Line cards we deal with include Microchip,ALPS,ROHM,Xilinx,Pulse,ON,Everlight and Freescale. Main products comprise IC,Modules,Potentiometer,IC Socket,Relay,Connector.Our parts cover such applications as commercial,industrial, and automotives areas.

We are looking forward to setting up business relationship with you and hope to provide you with the best service and solution. Let us make a better world for our industry!



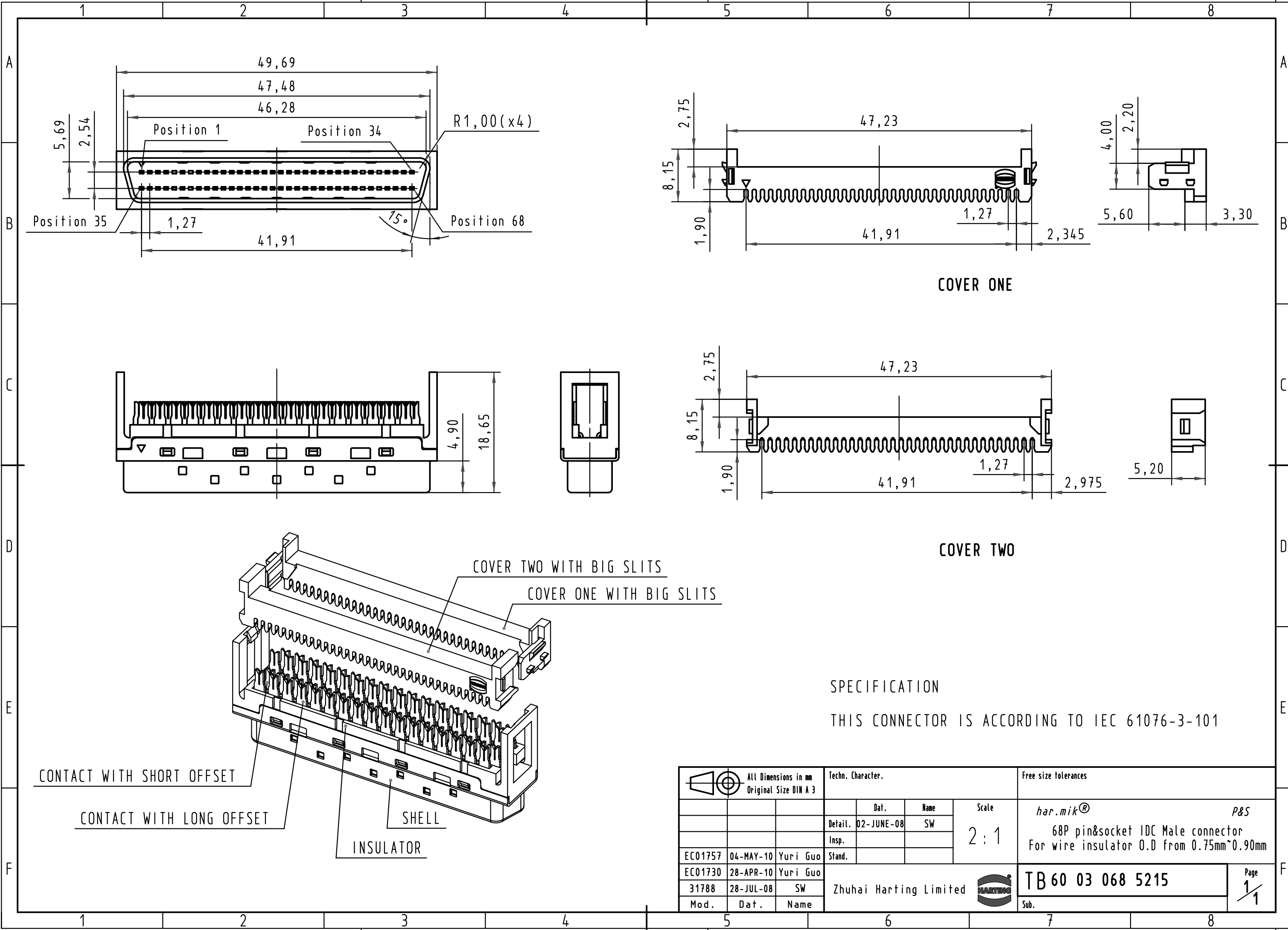
Contact us

Tel: +86-755-8981 8866 Fax: +86-755-8427 6832

Email & Skype: info@chipsmall.com Web: www.chipsmall.com



Address: A1208, Overseas Decoration Building, #122 Zhenhua RD., Futian, Shenzhen, China





All rights reserved

SPECIFICATION
 THIS CONNECTOR IS ACCORDING TO IEC 61076-3-101

 All Dimensions in mm Original Size DIN A 3			Techn. Character.			Free size tolerances		
			Dat.	Name	Scale 2:1	har.mik® P&S		
			Detail.	SW		68P pin&socket IDC Male connector		
			Insp.			For wire insulator O.D from 0.75mm~0.90mm		
ECO1757	04-MAY-10	Yuri Guo	Stand.			TB 60 03 068 5215		
ECO1730	28-APR-10	Yuri Guo				Page 1/1		
31788	28-JUL-08	SW						
Mod.	Dat.	Name						
Zhuhai Harting Limited								