



Chipsmall Limited consists of a professional team with an average of over 10 year of expertise in the distribution of electronic components. Based in Hongkong, we have already established firm and mutual-benefit business relationships with customers from,Europe,America and south Asia,supplying obsolete and hard-to-find components to meet their specific needs.

With the principle of “Quality Parts,Customers Priority,Honest Operation,and Considerate Service”,our business mainly focus on the distribution of electronic components. Line cards we deal with include Microchip,ALPS,ROHM,Xilinx,Pulse,ON,Everlight and Freescale. Main products comprise IC,Modules,Potentiometer,IC Socket,Relay,Connector.Our parts cover such applications as commercial,industrial, and automotives areas.

We are looking forward to setting up business relationship with you and hope to provide you with the best service and solution. Let us make a better world for our industry!



## Contact us

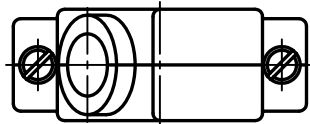
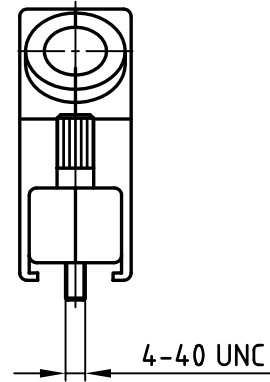
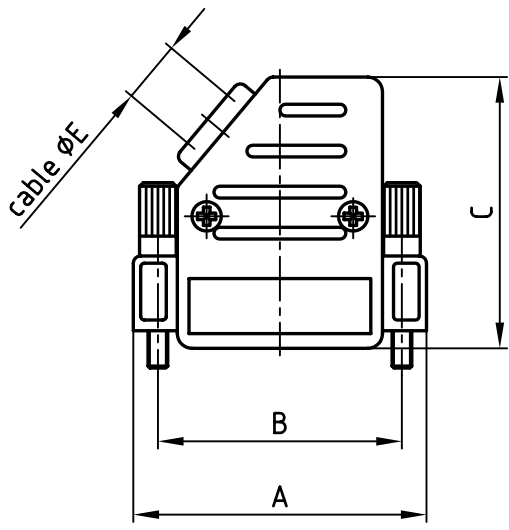
Tel: +86-755-8981 8866 Fax: +86-755-8427 6832

Email & Skype: info@chipsmall.com Web: www.chipsmall.com

Address: A1208, Overseas Decoration Building, #122 Zhenhua RD., Futian, Shenzhen, China



4 3 2 1 used for: D-SUB



Directive 2002/95/EC  
"RoHS"  
Compliant

No. of pos.	A	B	C	D	$\phi E$	Part No:
9	31.5	25.0	37.0	15.2	8.5	600X57009X
15	40.0	33.3	37.0	15.2	8.5	600X57015X
25	53.5	47.0	41.0	15.2	11.0	600X57025X
37	70.0	63.5	41.0	15.2	11.0	600X57037X
50	67.8	61.1	41.0	18.2	12.0	600X57050X

APPROVAL # FREIGABE # DEBLOCAGE # AUTORIZACION # APPROVAL

CUSTOMER APPROVAL DATE:

NAME: TITLE:

COMPANY NAME:

APPROVAL # FREIGABE # DEBLOCAGE # AUTORIZACION # APPROVAL

THIS DRAWING MAY NOT BE COPIED OR REPRODUCED IN ANY WAY, AND MAY NOT BE PASSED ON TO A THIRD PARTY WITHOUT WRITTEN PERMISSION.  
OWNERSHIP AND COPYRIGHT OF CONEC GmbH  
DO NOT ALTER CAD DRAWING BY HAND

rev.	description	date	name

tolerance

dim. in mm

2002 date name

drawn 28.02. Schmidt

appd. 28.02. E. Mickenbecker

norm DIN41652

d-old KAT116QA

**CONEC**<sup>®</sup>

scale: 1:1

material: ABS UL 94 V-0 Metallized

title: Plastic hood side cable exit, with jack screws 9 - 50 pos.

dwg no: AutoCAD 2000 DIN-A 4 sh: 1/1

part no: 16K1A673 SEE TABLE

4 3 2 1