



Chipsmall Limited consists of a professional team with an average of over 10 year of expertise in the distribution of electronic components. Based in Hongkong, we have already established firm and mutual-benefit business relationships with customers from,Europe,America and south Asia,supplying obsolete and hard-to-find components to meet their specific needs.

With the principle of “Quality Parts,Customers Priority,Honest Operation,and Considerate Service”,our business mainly focus on the distribution of electronic components. Line cards we deal with include Microchip,ALPS,ROHM,Xilinx,Pulse,ON,Everlight and Freescale. Main products comprise IC,Modules,Potentiometer,IC Socket,Relay,Connector.Our parts cover such applications as commercial,industrial, and automotives areas.

We are looking forward to setting up business relationship with you and hope to provide you with the best service and solution. Let us make a better world for our industry!



Contact us

Tel: +86-755-8981 8866 Fax: +86-755-8427 6832

Email & Skype: info@chipsmall.com Web: www.chipsmall.com

Address: A1208, Overseas Decoration Building, #122 Zhenhua RD., Futian, Shenzhen, China



With and Without Latching Function



Because of their specifications and the safety standards for application (see Cable Safety Pull Switches SRM/SR), these cable pull switches are used generally as safety command devices; switching control signals instead of the power directly.

These switches are available with metal and plastic bodies. They are operated manually by the attached cable.

Thanks to their pretension, these switches, which feature a switching contact with overlap, execute a switching function when the cable is pulled or in the event of cable breakage.

Switches with tension monitor require per-tension to the cable for the normally closed contact to close.

The field of application for these cable pull switches includes

- Opening and closing of (overhead) doors
- Starting machines
- Issuing commands in production processes

The basic design of the standard cable pull switches is similar to that of position switches.

The specified cable length refers to the maximum length at minimum temperature variation. The maximum cable length may decrease under different environmental conditions.

Technical Data

Technical data		SEK	SiEK	SEM2	SiEM2
Electrical data					
Rated insulation voltage U_i		400 V AC	400 V AC	400 V AC	400 V AC
Rated operating voltage U_e		240 V	240 V	240 V	240 V
Conventional thermal current I_{the}		10 A	10 A	10 A	10 A
Utilization category U_e/I_e		AC-15, U_e/I_e 240 V / 3 A	AC-15, U_e/I_e 240 V / 3 A	AC-15, U_e/I_e 240 V / 3 A	AC-15, U_e/I_e 240 V / 3 A
Mechanical data					
Switching frequency max.		≤ 50/min.	max. 100/min.	max. 50/min.	max. 50/min.
Mechanical service life		1 x 10 ⁶ switching cycles	1 x 10 ⁶ switching cycles	1 x 10 ⁶ switching cycles	1 x 10 ⁶ switching cycles
B10d		on request	on request	on request	on request
Short-circuit protection		Fuse 10 A gL/gG	Fuse 10 A gL/gG	Fuse 10 A gL/gG	Fuse 10 A gL/gG
Protection class		II, Insulated	II, Insulated	I	I
Ambient temperature		-30°C to +80°C	-30°C to +80°C	-30°C to +80°C	-30°C to +80°C
Protection class		IP65 conforming to IEC/EN 60529	IP65 conforming to EN 60529	IP65 conforming to EN 60529	IP65 conforming to EN 60529; DIN VDE 0470 T1
Type of connection		4 Screw connections (M3, 5)	4 Screw connections (M3, 5)	4 Screw connections (M3, 5)	Screw connections
Conductor cross sections		Single-wire 0.5 - 1.5 mm ² or Stranded wire with ferrule 0.5 - 1.5 mm ²	Single-wire 0.5 - 1.5 mm ² or Stranded wire with ferrule 0.5 - 1.5 mm ²	Single-wire 0.5 - 1.5 mm ² or Stranded wire with ferrule 0.5 - 1.5 mm ²	Single-wire 0.5 - 1.5 mm ² or Stranded wire with ferrule 0.5 - 1.5 mm ²
Enclosure		Thermoplastic, glass fibre-reinforced	Thermoplastic, glass fibre-reinforced	Aluminum pressure die-casting	Aluminum pressure die-casting
Cable entry		1 x M20 x 1.5	1 x M20 x 1.5	1 x M20 x 1.5	1 x M20 x 1.5
Standards					
VDE 0660 T100, DIN EN 60947-1, IEC 60947-1 VDE 0660 T200, DIN EN 60947-5-1, IEC 60947-5-1					

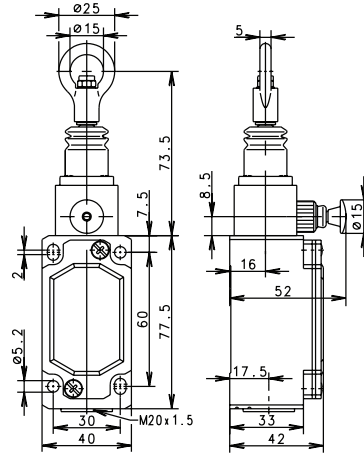
Technical data		SD	SiD	SIN
Electrical data				
Rated insulation voltage U_i		400 V AC	400 V AC	400 V AC
Rated operating voltage U_e		240 V	240 V	240 V
Conventional thermal current I_{the}		16 A	16 A	10 A
Utilization category U_e/I_e		AC-15, U_e/I_e 240 V / 3 A	AC-15, U_e/I_e 240 V / 3 A	AC-15, U_e/I_e 240 V / 3 A
Mechanical data				
Switching frequency max.		≤ 20/min.	max. 20/min.	≤ 20/min.
Mechanical service life		1 x 10 ⁶ switching cycles	1 x 10 ⁶ switching cycles	1 x 10 ⁶ switching cycles
B10d		on request	on request	on request
Short-circuit protection		Fuse 10 A gL/gG	Fuse 10 A gL/gG	Fuse 10 A gL/gG
Protection class		I	I	I
Ambient temperature		-30°C to +80°C	-30°C to +80°C	-30°C to +80°C
Protection class		IP65 conforming to EN 60529	IP65 conforming to EN 60529	IP65 conforming to EN 60529
Type of connection		Screw connections	Screw connections	Screw connections
Conductor cross sections		Single-wire 0.5 - 1.5 mm ² or Stranded wire with ferrule 0.5 - 1.5 mm ²	Single-wire 0.5 - 1.5 mm ² or Stranded wire with ferrule 0.5 - 1.5 mm ²	Single-wire 0.5 - 1.5 mm ² or Stranded wire with ferrule 0.5 - 1.5 mm ²
Enclosure		Aluminum pressure die-casting	Aluminum pressure die-casting	Aluminum pressure die-casting
Cable entry		2 x M20 x 1.5	2 x M20 x 1.5	2 x M20 x 1.5
Standards				
VDE 0660 T100, DIN EN 60947-1, IEC 60947-1 VDE 0660 T200, DIN EN 60947-5-1, IEC 60947-5-1				

SIEM and SID Latching with Reset Button

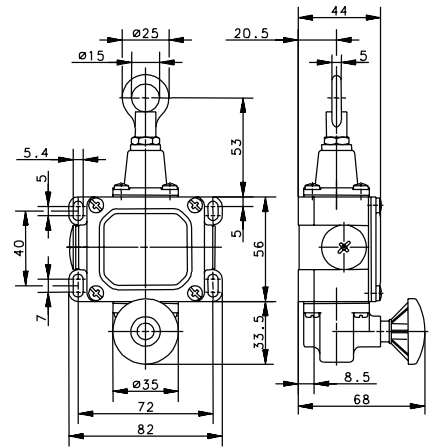


Pull Cable to change contact state, push button to reset

SIEM2 RAST



SID RAST



<p>Variant 1</p>	<p>Article No. Designation Max. span Type</p> <p>601.2831.023 SIEM2-UV1Z P-RAST 19.6 Ft. (6 Meters) Metal Body with Tension Monitor</p>	<p>Article No. Designation Max. span Type</p> <p>601.1411.868 SD-U1 P-RAST 26.2 Ft. (8 Meters) Metal Body without Tension Monitor</p>
<p>Variant 2</p>	<p>Article No. Designation Max. span Type</p> <p>611.1431.060 SID-UV1Z P-RAST 49.2 Ft. (15 Meters) Metal Body with Tension Monitor</p>	<p>Article No. Designation Max. span Type</p> <p>601.1431.869 SID-UV1Z P-RAST 39.4 Ft. (12 Meters) Metal Body with Tension Monitor</p>
<p>Variant 3</p>	<p>Article No. Designation Max. span Type</p>	<p>Article No. Designation Max. span Type</p> <p>601.1431.869 SID-UV1Z P-RAST 39.4 Ft. (12 Meters) Metal Body with Tension Monitor</p>

Technical Information

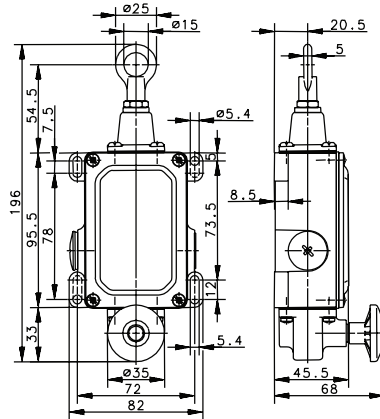
Maximum Switching Voltage	240V	240V
Maximum Switching Amperage	10A	16A
B10d	On Request	On Request
Mechanical Service Life	1 x 10 ⁶	1 x 10 ⁶
Switching Frequency	≤ 50/min	≤ 20/min
Operating Temperature	-30 °C to +80 °C	-30 °C to +80 °C
Protection Rating	IP65	IP65
Utilization Category	AC-15, U _e / I _e 240 V / 3 A	AC-15, U _e / I _e 240 V / 3 A
Rate Insulation Voltage	400VAC	400VAC
Approvals		

SID and SIN Latching with Reset Button

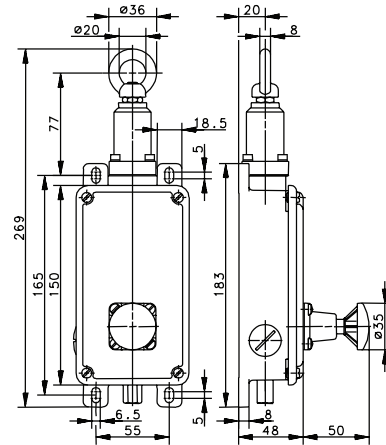


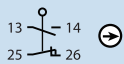
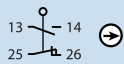
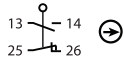
Pull Cable to change contact state, push button to reset

SID RAST





SIN RAST



<p>Variant 1</p>	<p>Article No. Designation Max. span Type</p> <p>611.2431.050 SID-UV1Z P-RAST 144.8 Ft. (35 Meters) Metal Body with Tension Monitor</p> 	<p>601.3531.367 SIN-UV1Z P-RAST 196.8 Ft. (60 Meters) Metal Body with Tension Monitor</p> 
<p>Variant 2</p>	<p>Article No. Designation Max. span Type</p> <p>601.2441.907 SID-UV2Z P-RAST 59 Ft. (18 Meters) Metal Body with Tension Monitor</p> 	
<p>Variant 3</p>		

Technical Information

Maximum Switching Voltage	240V	240V
Maximum Switching Amperage	16A	10A
B10d	On Request	On Request
Mechanical Service Life	1 x 10 ⁶	1 x 10 ⁶
Switching Frequency	≤ 20/min	≤ 20/min
Operating Temperature	-30 °C to +80 °C	-30 °C to +80 °C
Protection Rating	IP65	IP65
Utilization Category	AC-15, U _e /I _e 240 V / 3 A	AC-15, U _e /I _e 240 V / 3 A
Rate Insulation Voltage	400VAC	400VAC
Approvals		

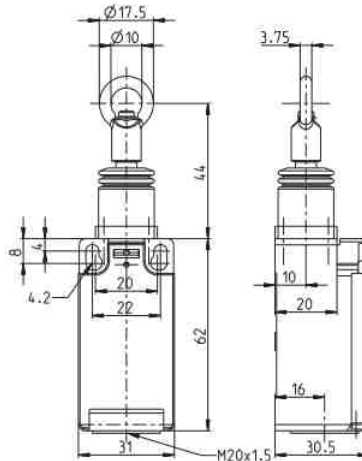
Drawing dimensions in mm

New SI88 Small Cable Pull Switch

SEK / SIEK



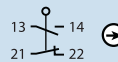
Pull Cable to change contact state, release cable to reset



Variant 1

Article No.
Designation
Max. span
Type

601.3811.107
SI88-U1Z
6.5 Ft. (2 Meters)
Plastic Body without
Tension Monitor



Variant 2

Article No.
Designation
Max. span
Type


601.3831.108
SI88-UV1Z
6.5 Ft. (2 Meters)
Plastic Body without
Tension Monitor



Variant 3

Article No.
Designation
Max. span
Type

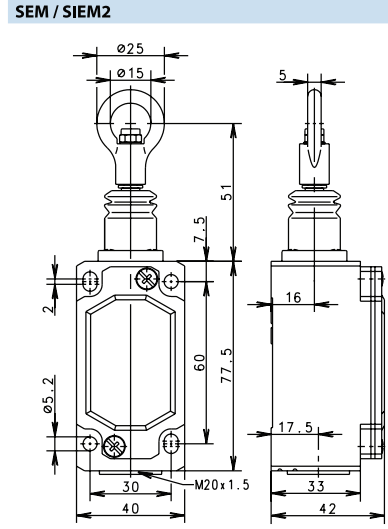
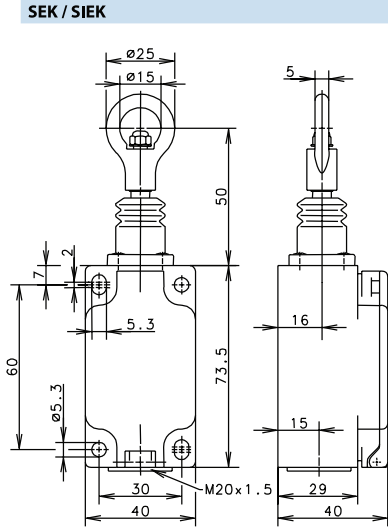
Technical Information

Maximum Switching Voltage	240V
Maximum Switching Amperage	10A
B10d	On Request
Mechanical Service Life	1 x 10 ⁶
Switching Frequency	≤ 50/min
Operating Temperature	-30 °C to +80 °C
Protection Rating	IP65
Utilization Category	AC-15, U _e /I _e 240 V / 3 A
Rate Insulation Voltage	250VAC
Approvals	

SEK, SIEK, SEM2 and SIEM2 Series



Pull Cable to change contact state, release cable to reset



Variant 1	Article No. Designation Max. span Type	601.1811.133 SEK-U1Z 19.6 Ft. (6 Meters) Plastic Body without Tension Monitor		601.2811.029 SEM2-U1Z 19.6 Ft. (6 Meters) Metal Body without Tension Monitor	
Variant 2	Article No. Designation Max. span Type	601.1831.134 SIEK-UV1Z 13 Ft. (4 Meters) Plastic Body with Tension Monitor		601.2831.022 SIEM2-UV1Z 19.6 Ft. (6 Meters) Metal Body with Tension Monitor	
Variant 3	Article No. Designation Max. span Type				

Technical Information

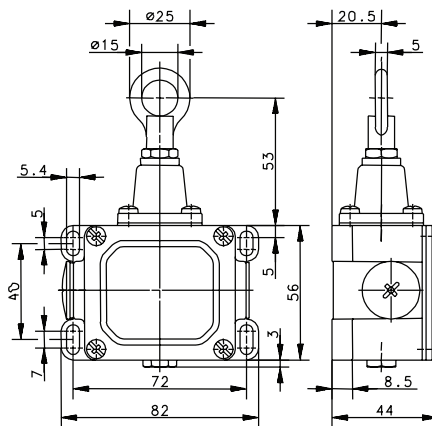
Maximum Switching Voltage	240V	240V
Maximum Switching Amperage	10A	16A
B10d	On Request	On Request
Mechanical Service Life	1 x 10 ⁶	1 x 10 ⁶
Switching Frequency	≤ 50/min	≤ 20/min
Operating Temperature	-30 °C to +80 °C	-30 °C to +80 °C
Protection Rating	IP65	IP65
Utilization Category	AC-15, U _e /I _e 240 V / 3 A	AC-15, U _e /I _e 240 V / 3 A
Rate Insulation Voltage	400VAC	400VAC
Approvals		

SD and SID Series

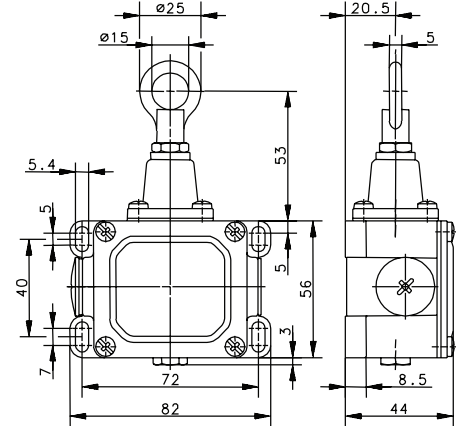


Pull Cable to change contact state, release cable to reset

SD



SID



Variant 1	Article No. Designation Max. span Type	601.1411.856 SD-U1 26.2 Ft. (8 Meters) Metal Body without Tension Monitor		601.1431.857 SID-UV1Z 13.1 Ft. (4 Meters) Metal Body with Tension Monitor	
Variant 2	Article No. Designation Max. span Type	611.1411.029 SD-U1 19.7 Ft. (6 Meters) Metal Body without Tension Monitor		611.1431.022 SID-UV1Z 26.2 Ft. (8 Meters) Metal Body with Tension Monitor	
Variant 3	Article No. Designation Max. span Type	611.1411.161 SD-U1 19.7 Ft. (6 Meters) Metal Body without Tension Monitor		611.1431.069 SID-UV1Z 39.4 Ft. (12 Meters) Metal Body with Tension Monitor	

Technical Information

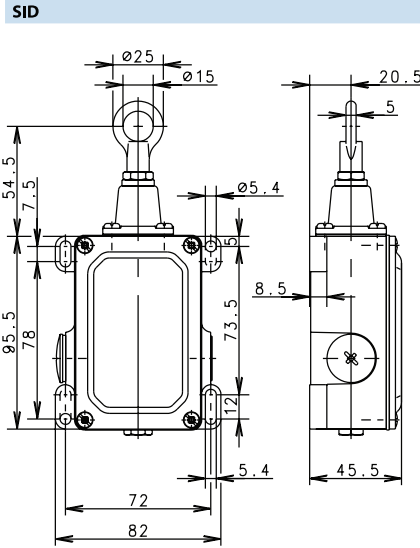
Maximum Switching Voltage	240V	240V
Maximum Switching Amperage	16A	16A
B10d	On Request	On Request
Mechanical Service Life	1 x 10 ⁶	1 x 10 ⁶
Switching Frequency	≤ 20/min	max. 20/min
Operating Temperature	-30 °C to +80 °C	-30 °C to +80 °C
Protection Rating	IP65	IP65
Utilization Category	AC-15, U _e /I _e 240 V / 3 A	AC-15, U _e /I _e 240 V / 3 A
Rate Insulation Voltage	400VAC	400VAC
Approvals		

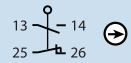
Drawing dimensions in mm

SID Series




Pull Cable to change contact state, release cable to reset

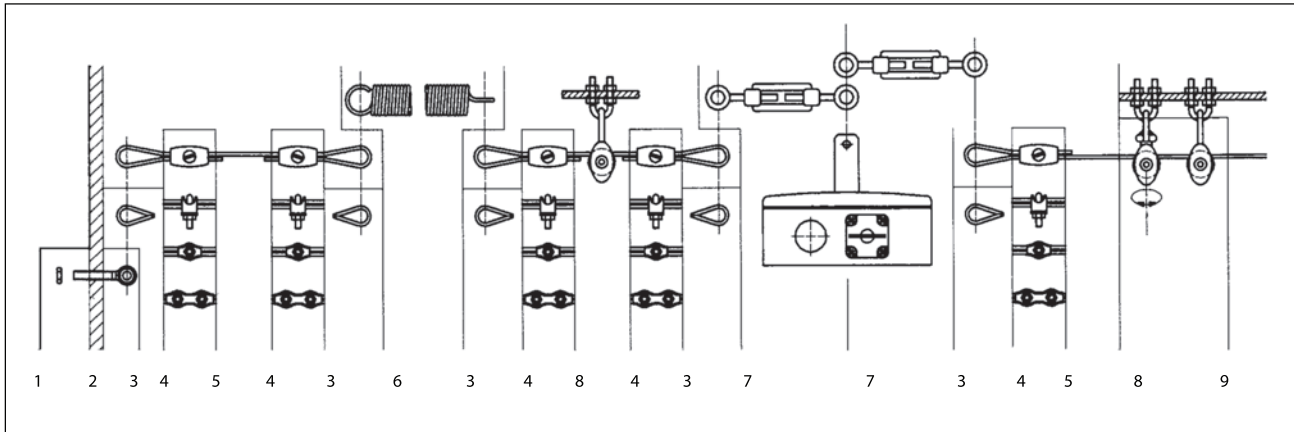


<p>Variant 1</p>	<p>Article No. Designation Max. span Type</p> <p>601.2431.877 SID-UV1 26.2 Ft. (8 Meters) Metal Body with Tension Monitor</p> 
<p>Variant 2</p>	<p>Article No. Designation Max. span Type</p>
<p>Variant 3</p>	<p>Article No. Designation Max. span Type</p>

Technical Information

Maximum Switching Voltage	240V
Maximum Switching Amperage	16A
B10d	On Request
Mechanical Service Life	1 x 10 ⁶
Switching Frequency	≤ 50/min
Operating Temperature	-30 °C to +80 °C
Protection Rating	IP65
Utilization Category	AC-15, U _e /I _e 240 V / 3 A
Rate Insulation Voltage	400VAC
Approvals	

Cable Clamps. Eye-bolts & Hardware



1 Nut



Size		Strength class	Art. No.
M 6	DIN 439T2	A2-70	260.0439.090
M 8	DIN 439T2	04	260.0439.187
M 10	DIN 934	8	260.0934.092

Coating: Thick-layer passivated (M 8/M 10), Ros-compliant

2 Eye bolt



Size	Strength class	Art. No.
M 10 x 50	4.6	260.0444.076
M 6 x 50	4.6	260.0444.185
M 8 x 50	4.6	260.0444.186

Coating: Thick-layer passivated, RoHs-compliant

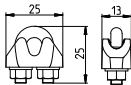
3 Cable eye stiffener



Size		Art. No.
D 2.5	to DIN 65457	269.6899.013
D 3	to DIN 65457	269.6899.014
D 4	to DIN 65457	269.6899.015
D 5	to DIN 6899B	269.6899.001

Material: Steel strip
Coating: Blue passivated, RoHs-compliant

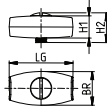
4 Cable grip



Size	Art. No.
D5	269.0741.002

Material: GTW/steel
Coating: Yellow chromed, RoHs-compliant

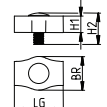
4 Cable grip, oval



Size	LG	BR	H1	H2	Art. No.
2	28 mm	15 mm	11 mm	13 mm	269.0000.004
3	28 mm	15 mm	12 mm	13 mm	269.0000.005
4	34 mm	20 mm	14 mm	18 mm	269.0000.006

Material: Refined zinc cast alloy
Coating: Blue passivated, RoHs-compliant

4 Cable grip, simplex



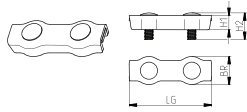
Size	LG	BR	H1	H2	Art. No.
2	15 mm	12 mm	5 mm	11 mm	269.0000.007
3	17 mm	14 mm	6 mm	14 mm	269.0000.008
4	20 mm	17 mm	7 mm	16 mm	269.0000.009

Material: Steel strip
Coating: Blue passivated, RoHs-compliant

Drawing dimensions in mm

Cable Clamps, Cable, Springs, Turnbuckles & Pulleys

4 Cable grip, duplex



Size	LG	BR	H1	H2	Art. No.
2	35 mm	12 mm	5 mm	11 mm	269.0000.010
3	35 mm	14 mm	6 mm	14 mm	269.0000.011
4	40 mm	17 mm	7 mm	16 mm	269.0000.012

Material: Steel strip
Coating: Blue passivated, RoHS-compliant

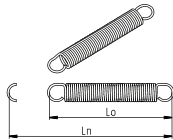
5 Cable



Cable Ø / Sheath Ø	Design	Minimum breaking strength	Art. No.
D 1,8/D 5	Similar to DIN 3055	275 kp	369.9100.008
D 2 / D 2.5	to DIN 3055	239 kp	369.9100.024
D 3/D 4	to DIN 3055	538 kp	369.9100.025
D 4/D 5	to DIN 3055	957 kp	369.9100.026

Material: Fiber-core galvanized, strength 1770 N/mm²
Coating: Blue passivated, RoHS-compliant

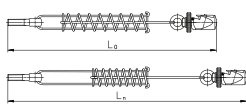
6 Compression spring, eye shape to DIN 1479



Fo	Fn	R	Lo	Ln	Art. No.
18 N	296 N	1.269 N/mm	188 mm	408 mm	365.2100.331
24 N	354 N	2.466 N/mm	180 mm	314 mm	365.2100.332
13.3 N	153 N	0.694 N/mm	185 mm	387 mm	365.2100.211
35.2 N	450 N	3.490 N/mm	201 mm	319 mm	365.2100.198

Material: Wire to DIN 2076 - 1.4310

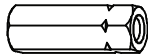
7 Pull cable spring



Fn	R	Lo	Ln	Art. No.
218 N	2.1 N/mm	383 mm	487 mm	391.1042.153
335 N	1.9 N/mm	483 mm	653 mm	391.1042.154

Material: Wire to DIN 2076 – 1.4310, cable grip – zinc pressure die-cast alloy, eye bolt to DIN 444 – 4.6
Coating: Thick-layer passivated (except spring), RoHS-compliant

7 Turnbuckle sleeve



Size	Art. No.
M 6	2601479188
M 8	2601479189

Material: Steel, min. tensile strength 330 N/mm²
Coating: Blue passivated, RoHS-compliant

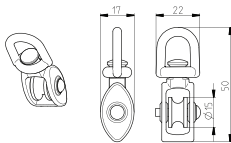
7 Turnbuckle similar to DIN 1480 with two eyes



Open	Art. No.
M 5 x 50	260.1480.016
M 6 x 60	260.1480.017

Material: Steel, forged
Coating: Blue passivated, RoHS-compliant

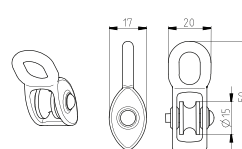
8 Pulley block, swivel version



Art. No.
2690000023

Material: Zinc pressure die-cast alloy (pulley polyamide)
Coating: Blue passivated, RoHS-compliant

8 Pulley block, fixed version



Art. No.
260.0000.022

Material: Zinc pressure die-cast alloy (pulley polyamide)
Coating: Blue passivated, RoHS-compliant

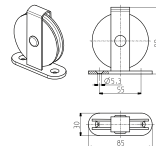
9 Mounting bracket for pulley to DIN 1142



Art. No.
3911751437

Material: Steel
Coating: Blue passivated, RoHS-compliant

Deflection pulley ø 75 mm for cable diameter up to 8 mm



Art. No.
269.0000.051

Material: Steel/polyamide
Coating: Blue passivated, RoHS-compliant