



Chipsmall Limited consists of a professional team with an average of over 10 year of expertise in the distribution of electronic components. Based in Hongkong, we have already established firm and mutual-benefit business relationships with customers from,Europe,America and south Asia,supplying obsolete and hard-to-find components to meet their specific needs.

With the principle of “Quality Parts,Customers Priority,Honest Operation,and Considerate Service”,our business mainly focus on the distribution of electronic components. Line cards we deal with include Microchip,ALPS,ROHM,Xilinx,Pulse,ON,Everlight and Freescale. Main products comprise IC,Modules,Potentiometer,IC Socket,Relay,Connector.Our parts cover such applications as commercial,industrial, and automotives areas.

We are looking forward to setting up business relationship with you and hope to provide you with the best service and solution. Let us make a better world for our industry!



## Contact us

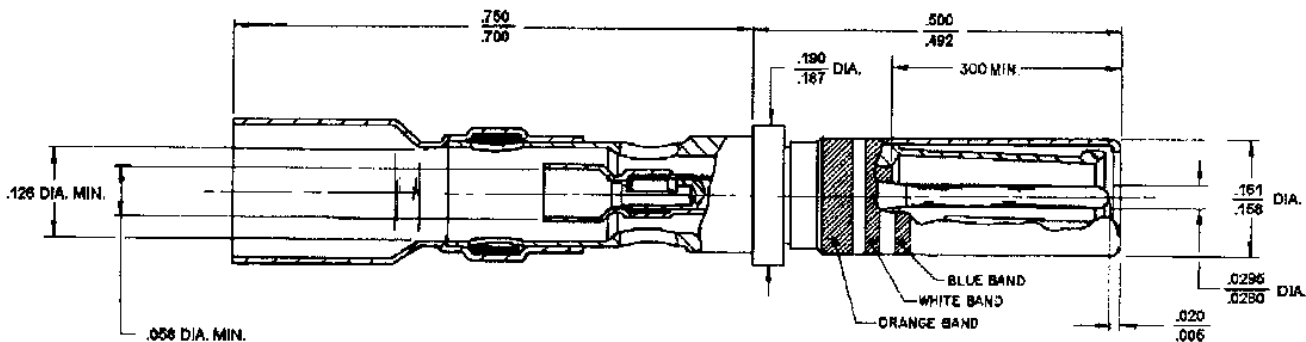
Tel: +86-755-8981 8866 Fax: +86-755-8427 6832

Email & Skype: info@chipsmall.com Web: www.chipsmall.com

Address: A1208, Overseas Decoration Building, #122 Zhenhua RD., Futian, Shenzhen, China



REVISIONS			
ZONELTR	DESCRIPTION	DATE	APPROVED
J	REVISED PER ECN# T-7641	2/11/87	M. HIGGY
X	REVISED PER ECN# T-18569	04/11/87	H. HIGGY



CABLE APPLICATION	
RG CABLE NO.	RAYCHEM CABLE NO.
RG-180	9528A1K1X 9528A1K2X

#### REQUIREMENTS:

- CONTACT MATERIAL: COPPER ALLOY PER QQ-B-626 & QQ-C-530
- INSULATOR MATERIAL: FLUOROPOLYMER
- PLATING: GOLD PER MIL-G-45204, NICKEL, PER QQ-N-290, OVER COPPER.
- MAXIMUM OPERATING TEMPERATURE: 130° C
- PERFORMANCE REQUIREMENTS PER MIL-C-39029 EXCEPT AS FOLLOWS:
  - THERMAL SHOCK: THE HIGH TEMPERATURE FOR THIS TEST SHALL BE 130° C. (MIL-STD-202, METHOD 107, TEST CONDITION A, STEP 3.)
  - TENSILE STRENGTH: FOR COAX COMBINED INNER AND OUTER: 15 LBS. (OR TENSILE STRENGTH OF COAX CABLE).
  - CONTACT RESISTANCE: 10 MILLIOHMS MAX., INNER; 8 MILLIOHMS MAX. (EXCLUDING WIRE RESISTANCE)
  - DIELECTRIC WITHSTANDING VOLTAGE: 900 VOLTS RMS MINIMUM.
  - INSULATION RESISTANCE: 5000 MEGOHMS MINIMUM.
  - ENGAGEMENT FORCE, OUTER SOCKET: 30.0 OZ. MAXIMUM.
  - SEPARATION FORCE, OUTER SOCKET: 3.0 OZ. MINIMUM.

#### NOTES:

- THIS CONTACT IS DESIGNED FOR USE IN MIL-C-83723, SERIES 3, TYPE B CONNECTORS.
- THIS CONTACT IS DESIGNED TO ACCOMMODATE RG 180/U OR EQUIVALENT OTHER APPLICATIONS SHOULD BE SUBMITTED TO RAYCHEM FOR EVALUATION.
- INSERTION-EXTRACTION TOOL: M83723-3-12 OR MS27534-12
- FOR ADDITIONAL REQUIREMENTS SEE MIL-C-39029/73.
- FOR TERMINATION PROCEDURE SEE RAYCHEM SPECIFICATION ES 81134.
- MATING CONTACT (FOR SIMILAR CABLES): D-602-0106

#### CONNECTOR SPECIFICATION CONTROL DRAWING

UNLESS OTHERWISE SPECIFIED DIMENSIONS ARE IN INCHES BRACKETED DIMENSIONS ( ) ARE METRIC AND TOLERANCES ARE:  XX. ± ( ) XX ± ( ) A: ± ( )	DRAWN	B. DEASY	7-25-80	Tyco Electronics Corporation 300 Central Expressway Menlo Park, CA 94025 USA Raychem	TITLE	
	CHECKED				CONTACT, COAXIAL, SOCKET	
	APPROVED			SIZE		CODE IDENT
	APPROVED			CAD NAME	C	NO. 08090
DO NOT SCALE THIS DRAWING				WEIGHT (5.6 MAX) SHEET 1 OF 1		