



Chipsmall Limited consists of a professional team with an average of over 10 year of expertise in the distribution of electronic components. Based in Hongkong, we have already established firm and mutual-benefit business relationships with customers from,Europe,America and south Asia,supplying obsolete and hard-to-find components to meet their specific needs.

With the principle of “Quality Parts,Customers Priority,Honest Operation,and Considerate Service”,our business mainly focus on the distribution of electronic components. Line cards we deal with include Microchip,ALPS,ROHM,Xilinx,Pulse,ON,Everlight and Freescale. Main products comprise IC,Modules,Potentiometer,IC Socket,Relay,Connector.Our parts cover such applications as commercial,industrial, and automotives areas.

We are looking forward to setting up business relationship with you and hope to provide you with the best service and solution. Let us make a better world for our industry!



Contact us

Tel: +86-755-8981 8866 Fax: +86-755-8427 6832

Email & Skype: info@chipsmall.com Web: www.chipsmall.com

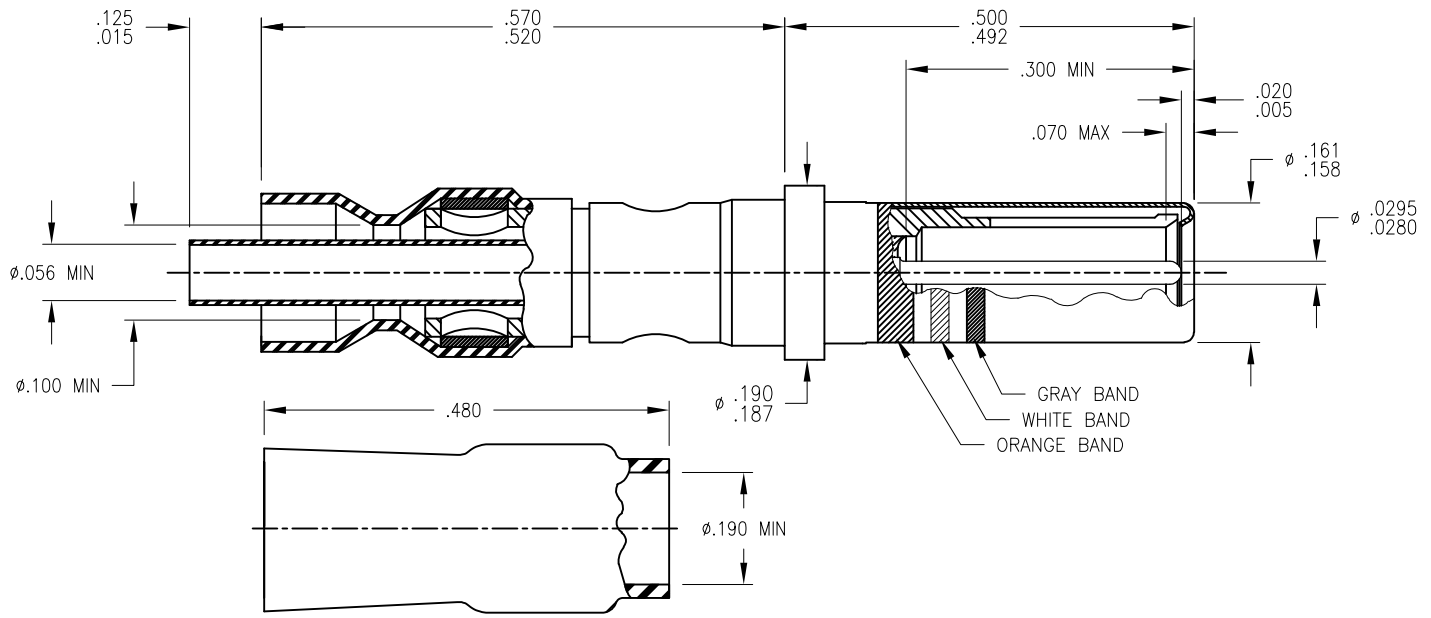
Address: A1208, Overseas Decoration Building, #122 Zhenhua RD., Futian, Shenzhen, China



THIS DRAWING AND THE INFORMATION SET FORTH HEREON ARE THE PROPERTY OF TYCO ELECTRONICS CORPORATION, AND ARE TO BE HELD IN TRUST AND CONFIDENCE. PUBLICATION, DUPLICATION, DISCLOSURE, OR USE FOR ANY PURPOSE NOT EXPRESSLY AUTHORIZED IN WRITING BY TYCO ELECTRONICS IS PROHIBITED.

REVISIONS

LTR	DESCRIPTION	DATE	APPROVED
P	REVISED PER DCR# D030451	09/17/2003	M. HIGGY
P1	REVISED DIM "TYPO" ERROR PER ECO-17-003490	03/24/2017	A. REY



CTA-0006

NOTES:

1. THIS CONTACT IS DESIGNED FOR USE IN MIL-DTL-83723, SERIES 3, TYPE B CONNECTORS.
2. FOR ADDITIONAL REQUIREMENTS, SEE MIL-C-39029/73.
3. INSERT EXTRACTION TOOL: M83723-31-12 OR 827534-12.
4. THIS CONTACT IS DESIGNED TO TERMINATE TO A TWISTED PAIR OF WIRES, 24 OR 26 AWG, EITHER TIN OR SILVER-PLATED.
5. TO ACHIEVE AN ENVIRONMENTAL SEAL IN A MIL-DTL-83723 CONNECTOR, INSTALL RAYCHEM PART NO. CTA-0006 IMMEDIATELY ADJACENT TO THE END OF THE INNER INSULATION SLEEVE.
6. FOR TERMINATION PROCEDURE, SEE RAYCHEM SPECIFICATION ES 61129.
7. MATING CONTACT (FOR SIMILAR CABLES): D-602-0104.

REQUIREMENTS:

- 1a. CONTACT MATERIAL: COPPER ALLOY PER ASTM B16/B16M AND ASTM B196.
- b. INSULATION MATERIAL: FLUOROPOLYMER
2. PLATING: GOLD PER ASTM B488 (MIL-G-45204), NICKEL PER AMS QQ-N-290, OVER COPPER FLASH.
3. MAXIMUM OPERATING TEMPERATURE: 130°C
4. PERFORMANCE REQUIREMENTS PER MIL-C-39029 EXCEPT AS FOLLOWS:
 - A. THERMAL SHOCK: THE TEMPERATURE FOR THIS TEST SHALL BE 130°C (MIL-STD-202, METHOD 107, TEST CONDITION A, STEP 3)
 - B. TENSILE STRENGTH: 5 LBS. MINIMUM. BREAKAGE OF LEAD BELOW THIS VALUE SHALL CONSTITUTE PASSING.
 - C. CONTACT RESISTANCE: 10 MILLIOHMS MAX., INNER: 8 MILLIOHMS MAX. (EXCLUDING WIRE RESISTANCE)
 - D. DIELECTRIC WITHSTANDING VOLTAGE: 900 VOLTS RMS MINIMUM.
 - E. INSULATION RESISTANCE: 5000 MEGAOHMS MINIMUM.
 - F. ENGAGEMENT FORCE, OUTER SOCKET: 30.0 OZ. MAXIMUM
 - G. SEPARATION FORCE, OUTER SOCKET: 3.0 OZ. MINIMUM

Raychem Devices CUSTOMER DRAWING

UNLESS OTHERWISE SPECIFIED DIMENSIONS ARE IN INCHES. METRIC DIMENSIONS ARE IN BRACKETS.

DECIMALS
 .XXX ± _____
 .XX ± _____
 ANGLES _____

WEIGHT -----

DRAWN	MFORONDA	09.17.2003
CHECKED		
APPROVED	M.HIGGY	09.17.2003
APPROVED		
CAD NAME: D030451.dwg		
THIRD ANGLE PROJECTION		

TE TE Connectivity

TITLE
 CONTACT, COAXIAL, SOCKET
 TWISTED PAIR

SIZE	CODE IDENT. NO.	DWG. NO.	REV
A	06090	D-602-0105	P1

DO NOT SCALE THIS DRAWING SHEET 1 OF 1