



Chipsmall Limited consists of a professional team with an average of over 10 year of expertise in the distribution of electronic components. Based in Hongkong, we have already established firm and mutual-benefit business relationships with customers from,Europe,America and south Asia,supplying obsolete and hard-to-find components to meet their specific needs.

With the principle of “Quality Parts,Customers Priority,Honest Operation,and Considerate Service”,our business mainly focus on the distribution of electronic components. Line cards we deal with include Microchip,ALPS,ROHM,Xilinx,Pulse,ON,Everlight and Freescale. Main products comprise IC,Modules,Potentiometer,IC Socket,Relay,Connector.Our parts cover such applications as commercial,industrial, and automotives areas.

We are looking forward to setting up business relationship with you and hope to provide you with the best service and solution. Let us make a better world for our industry!



Contact us

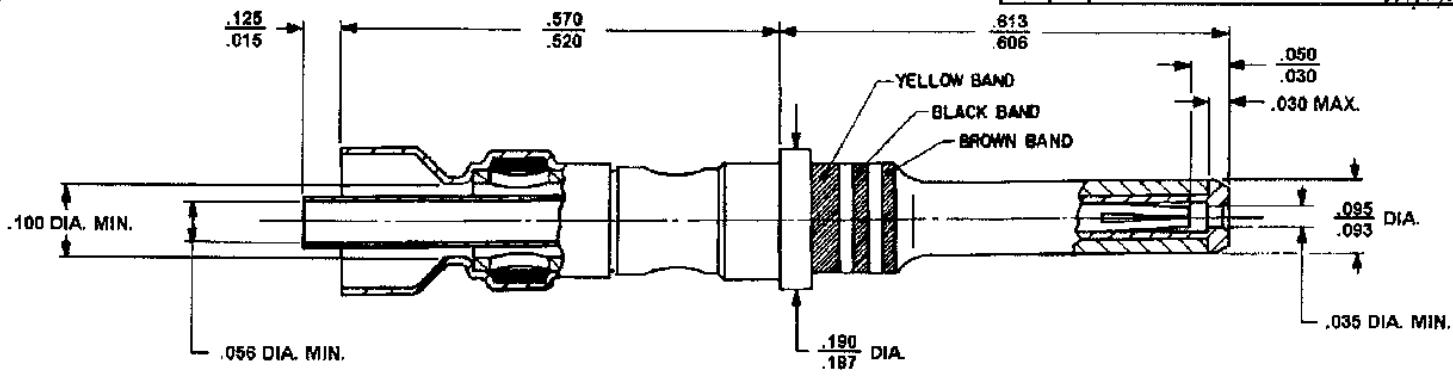
Tel: +86-755-8981 8866 Fax: +86-755-8427 6832

Email & Skype: info@chipsmall.com Web: www.chipsmall.com

Address: A1208, Overseas Decoration Building, #122 Zhenhua RD., Futian, Shenzhen, China



REVISIONS				
ZONE	LTR	DESCRIPTION	DATE	APPROVED
	H	REVISED PER ECN# T-8637	80 FEB	Z. TEMAN
	J	REVISED PER ECN# T-18759	94 JAN 18	M. HIGGY
	K	REVISED PER ECN# T-19688	94/11/2	M. HIGGY

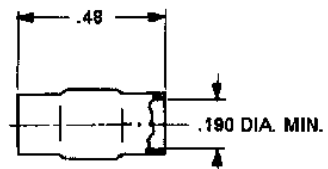


NOTES:

1. THIS CONTACT DESIGNED FOR USE IN MIL-C-83723, SERIES 3, TYPE B CONNECTORS.
2. FOR ADDITIONAL REQUIREMENTS SEE MIL-C-39029/74.
3. INSERTION-EXTRACTION TOOL: M83723-31-12 OR MS27534-12
4. THIS CONTACT IS DESIGNED TO TERMINATE TO A TWISTED PAIR OF WIRES, 24 OR 28 AWG, EITHER TIN OR SILVER PLATED.
5. TO ACHIEVE AN ENVIRONMENTAL SEAL IN A MIL-C-83723 CONNECTOR, INSTALL RAYCHEM PART NO. CTA-0006 IMMEDIATELY ADJACENT TO THE END OF THE INNER INSULATION SLEEVE.
6. FOR TERMINATION PROCEDURE SEE RAYCHEM SPECIFICATION ES611.125.
7. MATING CONTACT (FOR SIMILAR CABLES): D-602-0105

REQUIREMENTS

- 1a. CONTACT MATERIAL: COPPER ALLOY PER QQ-B-626 AND QQ-C-530
- 1b. INSULATOR MATERIAL: FLUOROPOLYMER
2. PLATING: GOLD PER MIL-G-45204, NICKEL, QQ-N-290, OVER COPPER
3. MAXIMUM OPERATING TEMPERATURE: 130° C
4. PERFORMANCE REQUIREMENTS PER MIL-C-39029 EXCEPT AS FOLLOWS:
 - A. THERMAL SHOCK: THE TEMPERATURE FOR THIS TEST SHALL BE 130° C (MIL-STD-202, METHOD 107, TEST CONDITION A, STEP 3)
 - B. TENSILE STRENGTH: 5 LBS. MINIMUM. BREAKAGE OF LEAD BELOW THIS VALUE SHALL CONSTITUTE PASSING.
 - C. CONTACT RESISTANCE: 10 MILLIOHMS MAX., INNER; 8 MILLIOHMS MAX., OUTER (EXCLUDING WIRE RESISTANCE).
 - D. DIELECTRIC WITHSTANDING VOLTAGE: 900 VOLTS RMS MINIMUM
 - E. INSULATION RESISTANCE: 5006 MEGOHMS MINIMUM
 - F. ENGAGEMENT FORCE, INNER SOCKET; 16 OZ. MAXIMUM
 - G. SEPARATION FORCE, INNER SOCKET; 0.5 OZ. MINIMUM



CTA-0006

If this document is printed it becomes uncontrolled. Check for the latest revision.

DO NOT SCALE THIS DRAWING

CONNECTOR SPECIFICATION CONTROL DRAWING

UNLESS OTHERWISE SPECIFIED DIMENSIONS ARE IN INCHES (BRACKETED DIMENSIONS () ARE METRIC AND TOLERANCES ARE:	DRAWN	B. DEASY	3-18-80	 <small>Raychem Electronics</small> <small>Raychem Corporation 350 Central Express Drive Sunnyvale, CA 94085 USA</small>	
	CHECKED				
	APPROVED				
	APPROVED	L. REEDER	5/27/80		
.XX ± ()				TITLE	
.XX ± ()				CONNECTOR, COAXIAL PIN TWISTED PAIR	
▲ ± ()					
	CAD NAME	802-0104.PCX	SIZE	CODE IDENT.	DWG. NO.
			A	06090	D-602-0104
			WEIGHT 1.3 GRAMS MAX.		SHEET 1 OF 1