



Chipsmall Limited consists of a professional team with an average of over 10 year of expertise in the distribution of electronic components. Based in Hongkong, we have already established firm and mutual-benefit business relationships with customers from,Europe,America and south Asia,supplying obsolete and hard-to-find components to meet their specific needs.

With the principle of “Quality Parts,Customers Priority,Honest Operation,and Considerate Service”,our business mainly focus on the distribution of electronic components. Line cards we deal with include Microchip,ALPS,ROHM,Xilinx,Pulse,ON,Everlight and Freescale. Main products comprise IC,Modules,Potentiometer,IC Socket,Relay,Connector.Our parts cover such applications as commercial,industrial, and automotives areas.

We are looking forward to setting up business relationship with you and hope to provide you with the best service and solution. Let us make a better world for our industry!



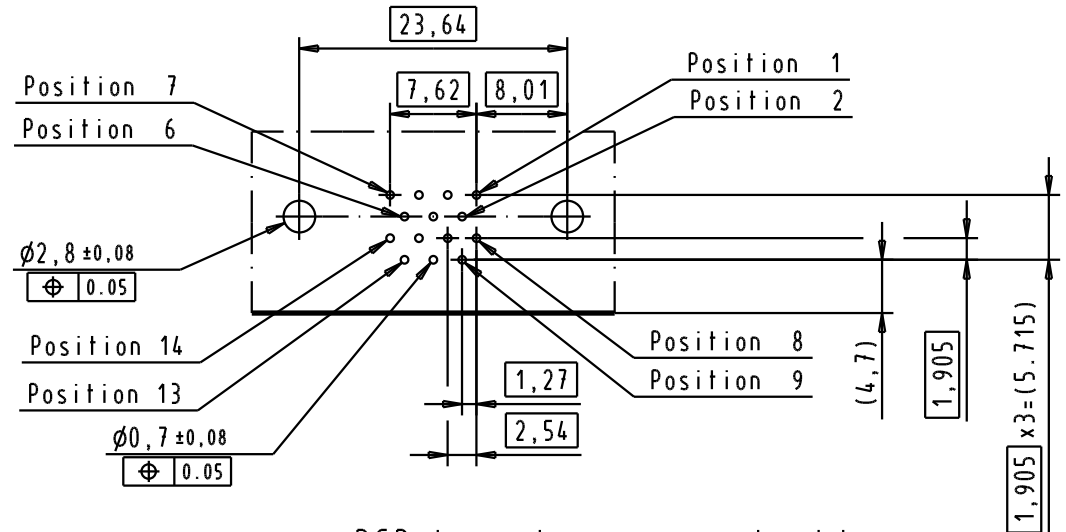
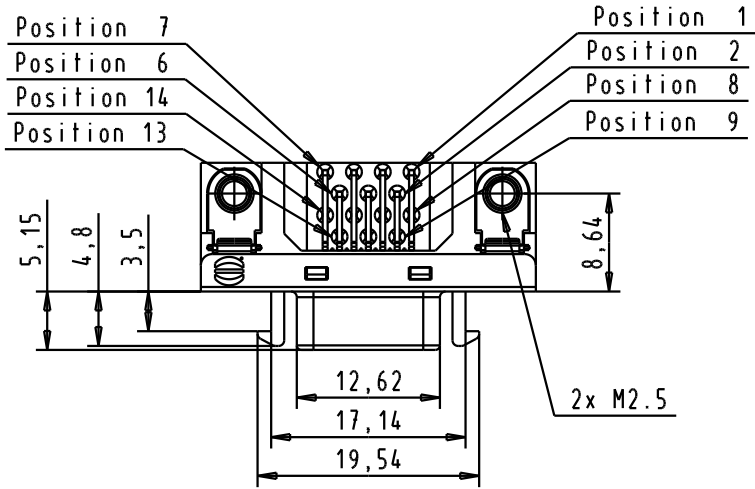
Contact us

Tel: +86-755-8981 8866 Fax: +86-755-8427 6832

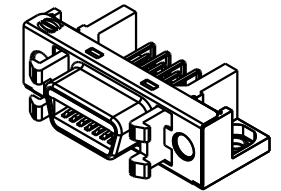
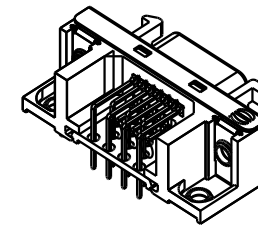
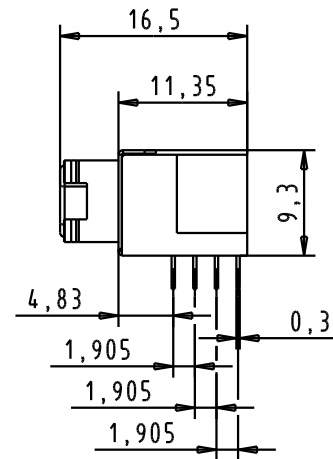
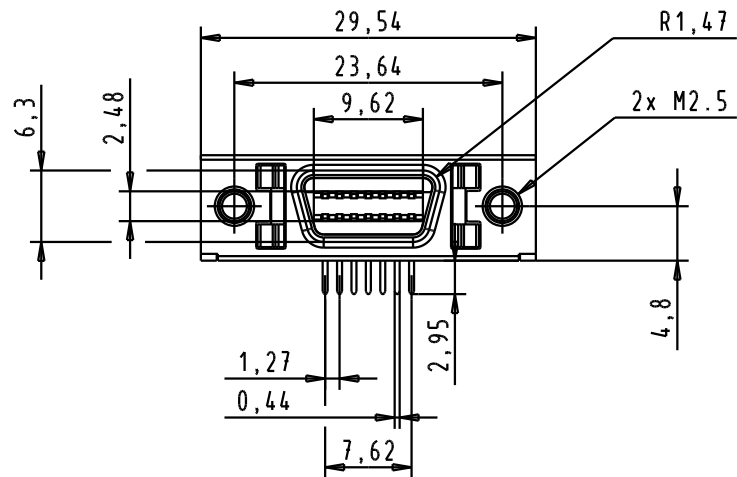
Email & Skype: info@chipsmall.com Web: www.chipsmall.com

Address: A1208, Overseas Decoration Building, #122 Zhenhua RD., Futian, Shenzhen, China







PCB Layout: component side



According to IEC 61076-3-100

				Dat.	Name	 All Dim. in mm Orig. Size DIN A 4	har.mik	I/O bellow	Moßstab/ Scale
			Detail.	11 Jul 2006	ED		14 poles female SMC with angled solder pins, thread hole M2.5, fixed latches	1.5:1	
			Insp.						
			Stand.						
33795	07 Aug 2006	ED	HARTING EURL F-95972 Paris				TB 60 11 014 5732	Blatt/ Page 1 / 1	
33781	12 Jul 2006	ED							
Mod.	Dat.	Name							