



Chipsmall Limited consists of a professional team with an average of over 10 year of expertise in the distribution of electronic components. Based in Hongkong, we have already established firm and mutual-benefit business relationships with customers from,Europe,America and south Asia,supplying obsolete and hard-to-find components to meet their specific needs.

With the principle of “Quality Parts,Customers Priority,Honest Operation,and Considerate Service”,our business mainly focus on the distribution of electronic components. Line cards we deal with include Microchip,ALPS,ROHM,Xilinx,Pulse,ON,Everlight and Freescale. Main products comprise IC,Modules,Potentiometer,IC Socket,Relay,Connector.Our parts cover such applications as commercial,industrial, and automotives areas.

We are looking forward to setting up business relationship with you and hope to provide you with the best service and solution. Let us make a better world for our industry!



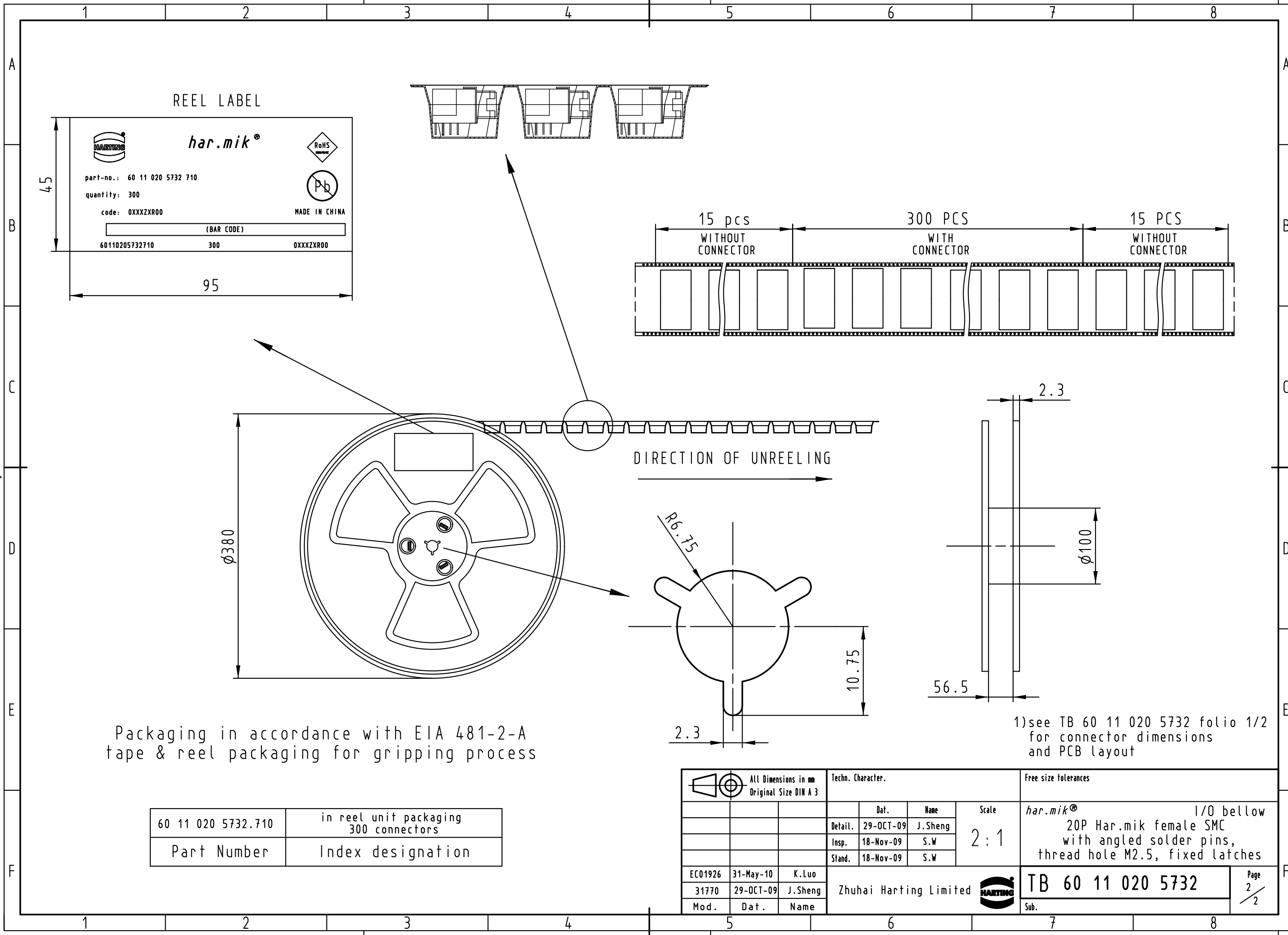
Contact us

Tel: +86-755-8981 8866 Fax: +86-755-8427 6832

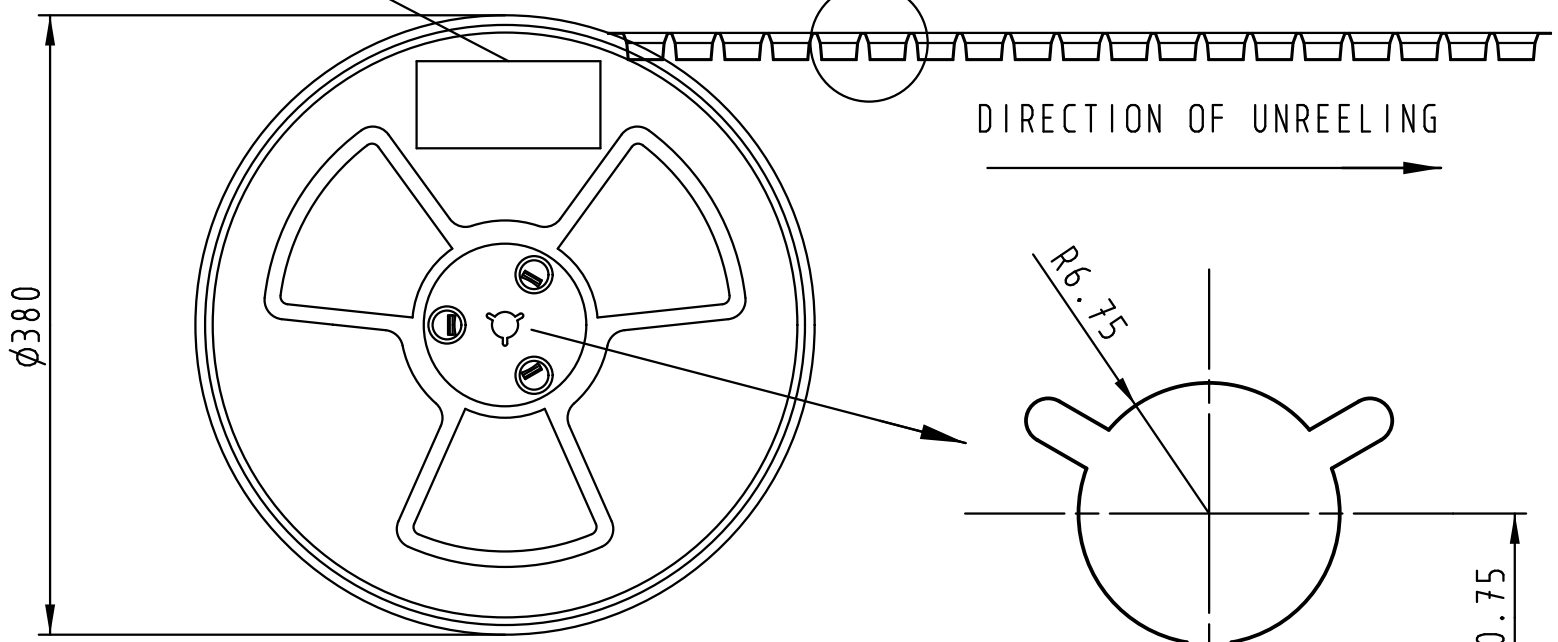
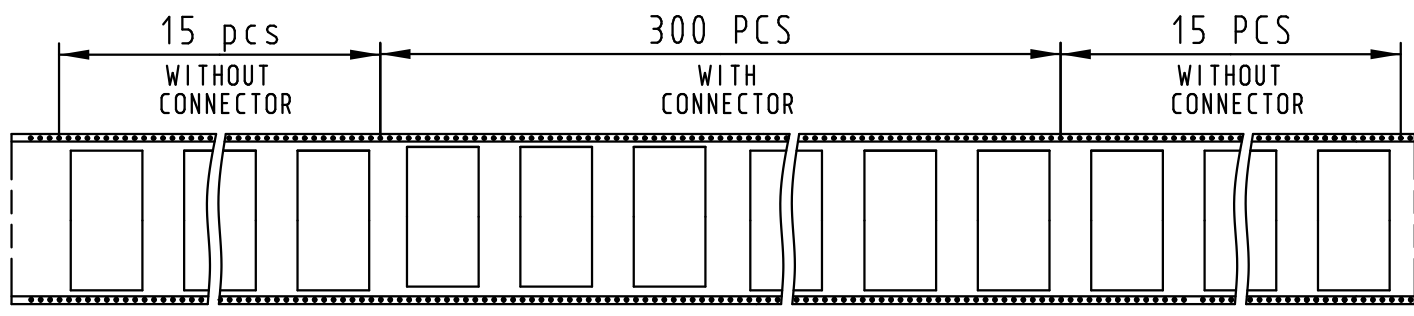
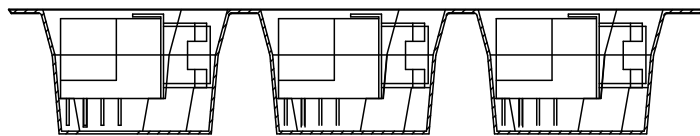
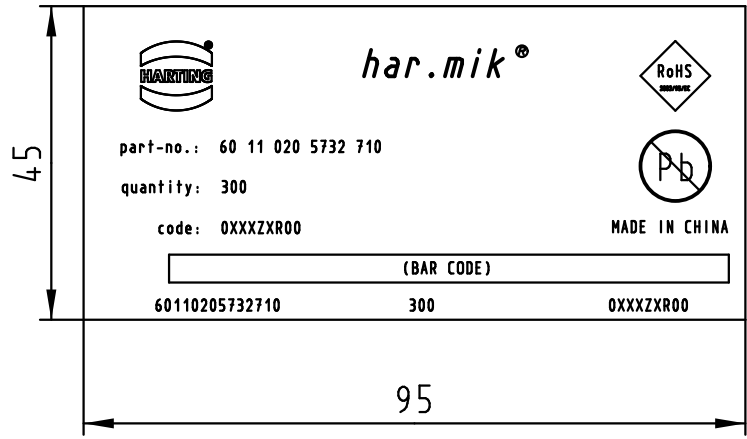
Email & Skype: info@chipsmall.com Web: www.chipsmall.com

Address: A1208, Overseas Decoration Building, #122 Zhenhua RD., Futian, Shenzhen, China





REEL LABEL



DIRECTION OF UNREELING

Packaging in accordance with EIA 481-2-A tape & reel packaging for gripping process

1)see TB 60 11 020 5732 folio 1/2 for connector dimensions and PCB layout

60 11 020 5732.710	in reel unit packaging 300 connectors
Part Number	Index designation

	Techn. Character.			Free size tolerances	
		Dat.	Name		
		Detail.	29-OCT-09		J.Sheng
		Insp.	18-Nov-09		S.W
	Stand.	18-Nov-09	S.W	har.mik® I/O bellow 20P Har.mik female SMC with angled solder pins, thread hole M2.5, fixed latches	
EC01926	31-May-10	K.Luo	Zhuhai Harting Limited		
31770	29-OCT-09	J.Sheng			
Mod.	Dat.	Name		TB 60 11 020 5732	

Scale
2:1