



Chipsmall Limited consists of a professional team with an average of over 10 year of expertise in the distribution of electronic components. Based in Hongkong, we have already established firm and mutual-benefit business relationships with customers from,Europe,America and south Asia,supplying obsolete and hard-to-find components to meet their specific needs.

With the principle of “Quality Parts,Customers Priority,Honest Operation,and Considerate Service”,our business mainly focus on the distribution of electronic components. Line cards we deal with include Microchip,ALPS,ROHM,Xilinx,Pulse,ON,Everlight and Freescale. Main products comprise IC,Modules,Potentiometer,IC Socket,Relay,Connector.Our parts cover such applications as commercial,industrial, and automotives areas.

We are looking forward to setting up business relationship with you and hope to provide you with the best service and solution. Let us make a better world for our industry!



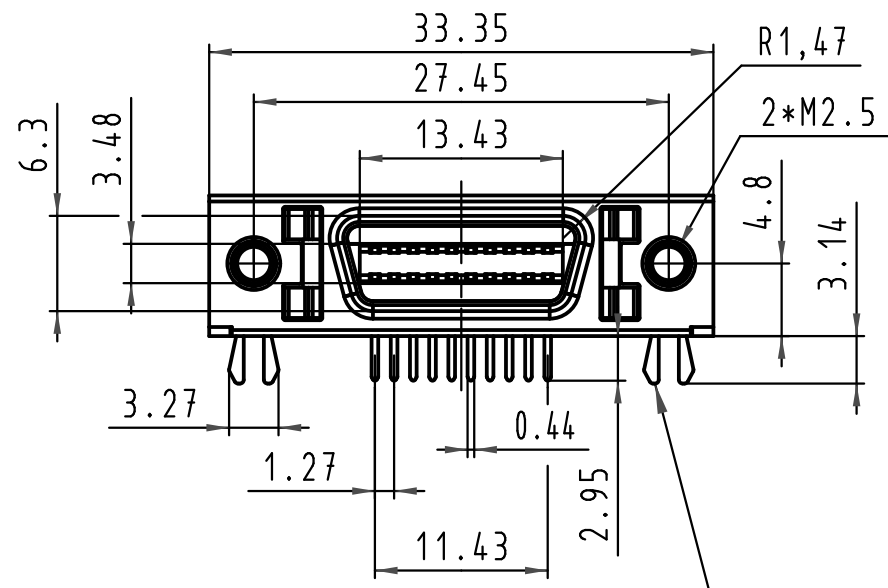
Contact us

Tel: +86-755-8981 8866 Fax: +86-755-8427 6832

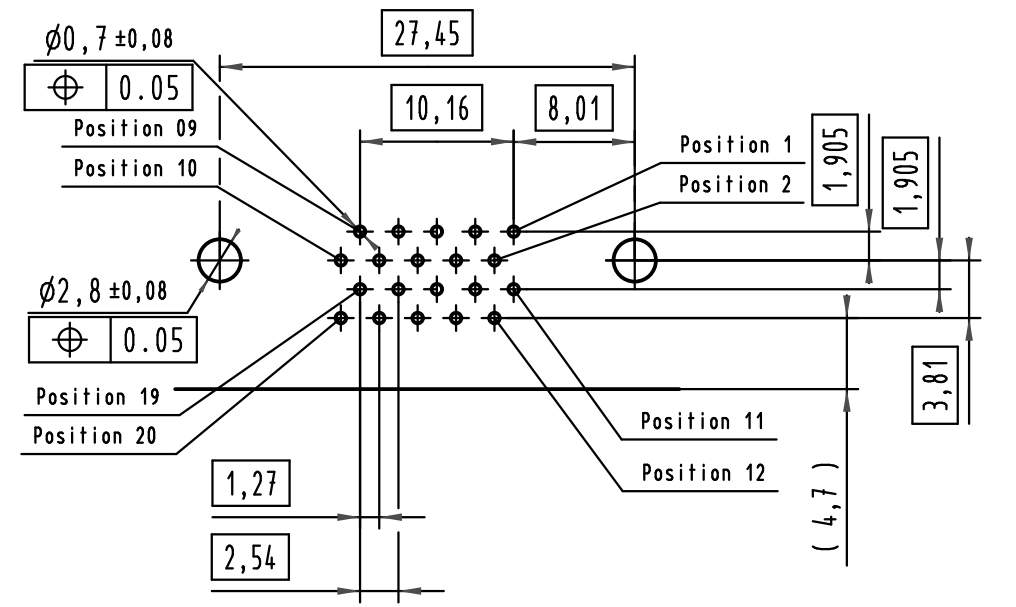
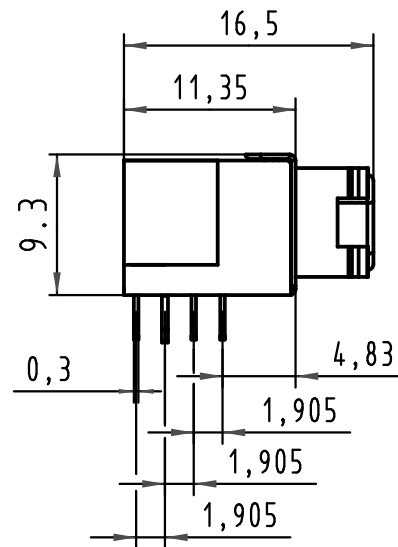
Email & Skype: info@chipsmall.com Web: www.chipsmall.com

Address: A1208, Overseas Decoration Building, #122 Zhenhua RD., Futian, Shenzhen, China

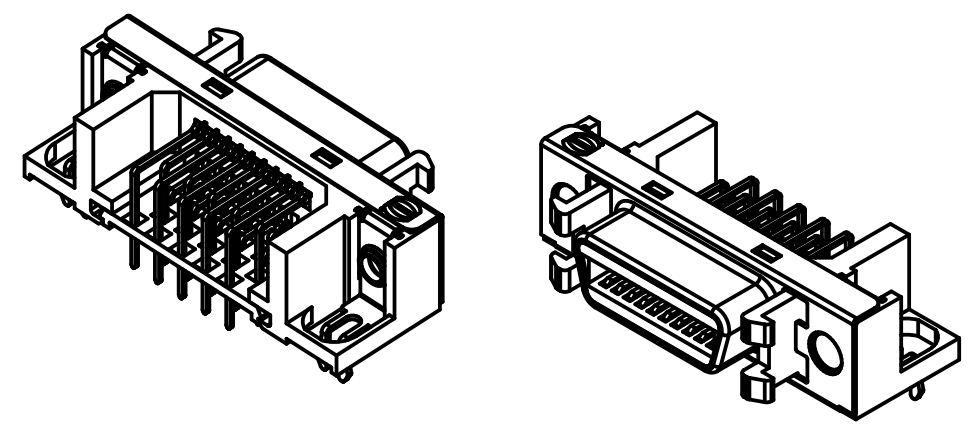
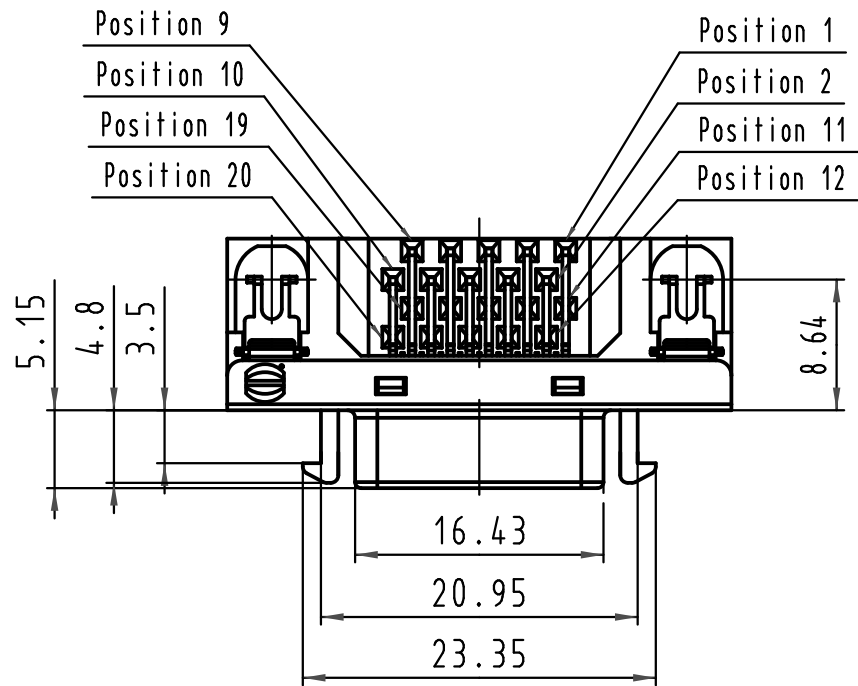




$F_i < 10N$; $F_r > 1N$
with PCB thickness 1.6-2.0mm



PCB layout: component side



According to IEC 61076-3-100

1) see TB 60 11 020 5740 folio 2/2
for reel packaging.

All Dimensions in mm Original Size DIN A 3			Techn. Character.			Free size tolerances	
			Dat.	Name	Scale	har.mik® I/O bellow	
			Detail.	29-OCT-09	J.Sheng	2:1	20P Har.mik female SMC
			Insp.				with angled solder pins,
			Stand.				boardLocks, fixed latches
EC01456	13-Apr-10	J.Sheng	Zhuhai Harting Limited				TB 60 11 020 5740
31770	29-OCT-09	J.Sheng					Sub.
Mod.	Dat.	Name					Page 1/2

All rights reserved