



Chipsmall Limited consists of a professional team with an average of over 10 year of expertise in the distribution of electronic components. Based in Hongkong, we have already established firm and mutual-benefit business relationships with customers from,Europe,America and south Asia,supplying obsolete and hard-to-find components to meet their specific needs.

With the principle of “Quality Parts,Customers Priority,Honest Operation,and Considerate Service”,our business mainly focus on the distribution of electronic components. Line cards we deal with include Microchip,ALPS,ROHM,Xilinx,Pulse,ON,Everlight and Freescale. Main products comprise IC,Modules,Potentiometer,IC Socket,Relay,Connector.Our parts cover such applications as commercial,industrial, and automotives areas.

We are looking forward to setting up business relationship with you and hope to provide you with the best service and solution. Let us make a better world for our industry!



Contact us

Tel: +86-755-8981 8866 Fax: +86-755-8427 6832

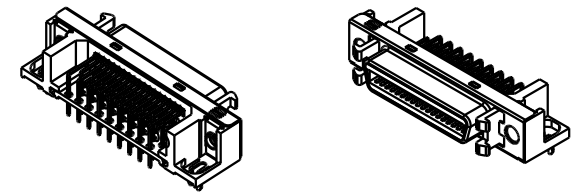
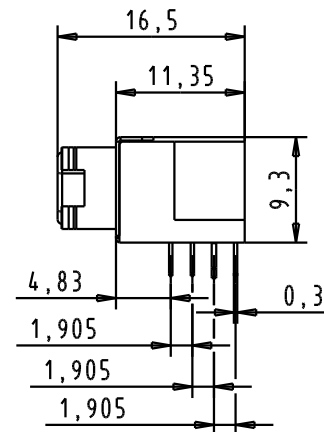
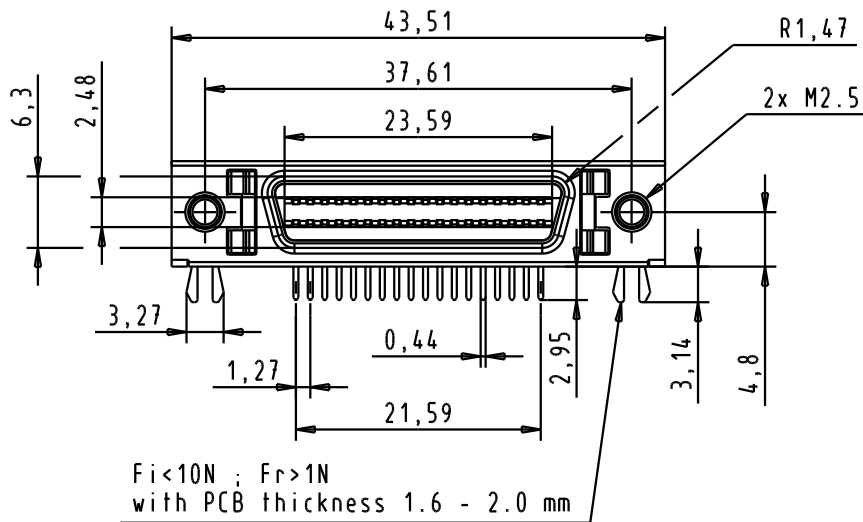
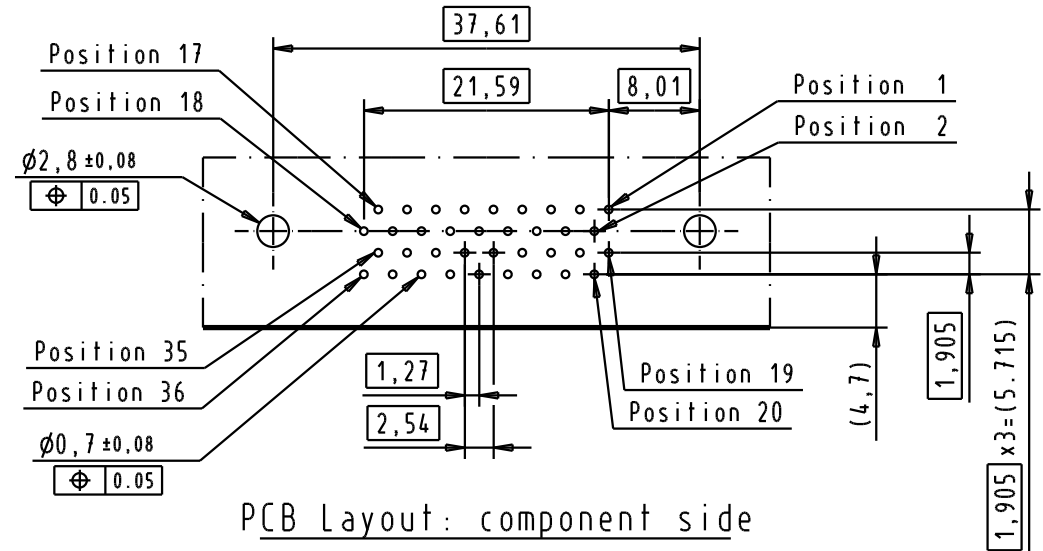
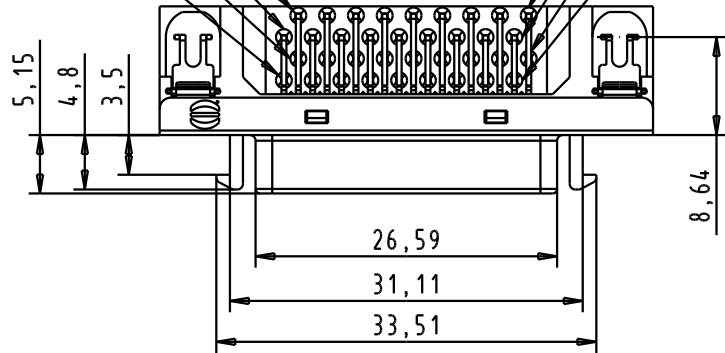
Email & Skype: info@chipsmall.com Web: www.chipsmall.com

Address: A1208, Overseas Decoration Building, #122 Zhenhua RD., Futian, Shenzhen, China



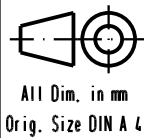

Position 17
Position 18
Position 35
Position 36

Position 1
Position 2
Position 19
Position 20



According to IEC 61076-3-100

1) see TB 60 11 036 5740
folio 2/2 for reel packaging

Mod.	Dat.	Name	Dat.	Name	 All Dim. in mm Orig. Size DIN A 4	har.mik® I/O bellow 36 poles female SMC with angled solder pins, boardlocks, fixed latches	Moßstab/ Scale	
			Detail.	11 Jul 2006			ED	1.5:1
			Insp.					
			Stand.					
			HARTING EURL F-95972 Paris				TB 60 11 036 5740 Sub.	Blatt / Page 1 / 2