



Chipsmall Limited consists of a professional team with an average of over 10 year of expertise in the distribution of electronic components. Based in Hongkong, we have already established firm and mutual-benefit business relationships with customers from,Europe,America and south Asia,supplying obsolete and hard-to-find components to meet their specific needs.

With the principle of “Quality Parts,Customers Priority,Honest Operation,and Considerate Service”,our business mainly focus on the distribution of electronic components. Line cards we deal with include Microchip,ALPS,ROHM,Xilinx,Pulse,ON,Everlight and Freescale. Main products comprise IC,Modules,Potentiometer,IC Socket,Relay,Connector.Our parts cover such applications as commercial,industrial, and automotives areas.

We are looking forward to setting up business relationship with you and hope to provide you with the best service and solution. Let us make a better world for our industry!



Contact us

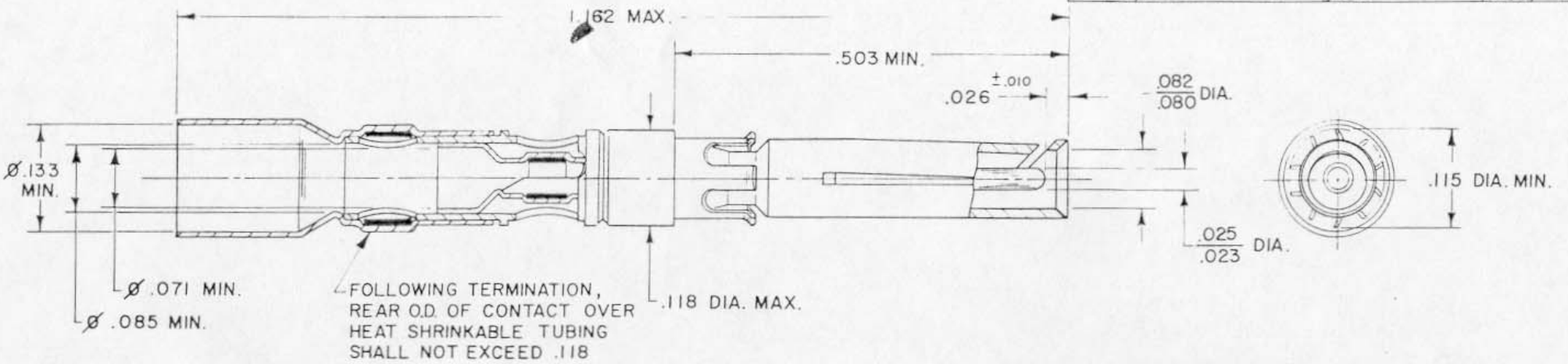
Tel: +86-755-8981 8866 Fax: +86-755-8427 6832

Email & Skype: info@chipsmall.com Web: www.chipsmall.com

Address: A1208, Overseas Decoration Building, #122 Zhenhua RD., Futian, Shenzhen, China



| | | | | |
|-----|--------------------------|------------|---------|-----------|
| N/C | INITIAL RELEASE | DCO# 01593 | 6-2-80 | JCC |
| -A- | REVISED PER E.O. #D-0917 | | 1/14/84 | QJ |
| B | REVISED PER E.C.N T-5436 | | 1/22/86 | N. H. 888 |



NOTES:

1. THIS CONTACT IS DESIGNED FOR USE IN MIL-C-28748 SIZE 16 CAVITIES.
2. THIS CONTACT IS DESIGNED TO TERMINATE TO THE CABLES IN TABLE. OTHER APPLICATIONS SHOULD BE SUBMITTED TO RAYCHEM FOR EVALUATION.
3. FOR TERMINATION PROCEDURE: SEE ES 61164
4. MATING CONTACT (FOR SIMILAR CABLES) D-602-76
5. ALIGNMENT BUSHING CHA-0002 TO BE SUPPLIED WITH CONTACT.

CONTACT CHARACTERISTICS:

MATERIALS:

- CONTACT MEMBERS: COPPER ALLOY PER QQ-B-626 & QQ-C-530
 CONTACT PLATING: GOLD PER MIL-G-45204, NICKEL PER QQ-N-290 OVER COPPER FLASH.
 SPRING MEMBER: BERYLLIUM COPPER PER QQ-C-533
 SPRING PLATING: NICKEL PER QQ-N-290
 DIELECTRIC: FLUOROPOLYMER.
 SOLDER: SN63 PER QQ-S-571
 CABLE SUPPORT TUBING: POLYVINYLIDENE FLUORIDE

PERFORMANCE:

- TEMPERATURE RATING: 125°C. MAXIMUM
 CURRENT RATING: 3 AMPS
 VOLTAGE RATING: DIELECTRIC WITHSTAND VOLTAGE, 900 VOLTS RMS, MAXIMUM
 CONTACT RESISTANCE: 10 MILLIOHMS MAXIMUM (INNER); 8 MILLIOHMS MAXIMUM (OUTER)
 INSULATION RESISTANCE: 5,000 MEGOHMS MINIMUM
 ENGAGEMENT FORCE, OUTER SOCKET: 16 OZ. MAXIMUM.
 SEPARATION FORCE, OUTER SOCKET: 175 OZ. MINIMUM.

| RG CABLE NO. | RAYCHEM CABLE NO. |
|--------------|-------------------|
| RG - 179 B/U | 5026A IXIX |
| RG - 187/U | 5030A IXIX |
| RG - 316 /U | 7528A IXIX |
| | 7530A IXIX |
| | 9532A IXIX |

CONNECTOR SPECIFICATION CONTROL DRAWING

| | | | | |
|--|----------|-----|---------|--|
| UNLESS OTHERWISE SPECIFIED DIMENSIONS ARE IN INCHES. BRACKETED DIMENSIONS () ARE METRIC AND TOLERANCES ARE: | DRAWN | DJW | 2-15-80 | Tyco Electronics Corporation 300 Constitution Drive Menlo Park, CA 94025 USA |
| | CHECKED | | | |
| | APPROVED | 308 | 4/5/80 | |
| | APPROVED | JW | 5/21/80 | |
| .XXX ± () | | | | TITLE |
| .XX ± () | | | | SHIELDED CONTACT, SOCKET COAXIAL CABLE |
| .Δ ± | | | | SIZE |
| | | | | C |
| | | | | CODE IDENT |
| | | | | NO. 06090 |
| | | | | DWG. NO. |
| | | | | D-602-77 |
| | | | | WEIGHT |
| | | | | OF |

If this document is printed it becomes uncontrolled. Check for the latest revision.

DO NOT SCALE THIS DRAWING