



Chipsmall Limited consists of a professional team with an average of over 10 year of expertise in the distribution of electronic components. Based in Hongkong, we have already established firm and mutual-benefit business relationships with customers from,Europe,America and south Asia,supplying obsolete and hard-to-find components to meet their specific needs.

With the principle of "Quality Parts,Customers Priority,Honest Operation,and Considerate Service",our business mainly focus on the distribution of electronic components. Line cards we deal with include Microchip,ALPS,ROHM,Xilinx,Pulse,ON,Everlight and Freescale. Main products comprise IC,Modules,Potentiometer,IC Socket,Relay,Connector.Our parts cover such applications as commercial,industrial, and automotives areas.

We are looking forward to setting up business relationship with you and hope to provide you with the best service and solution. Let us make a better world for our industry!



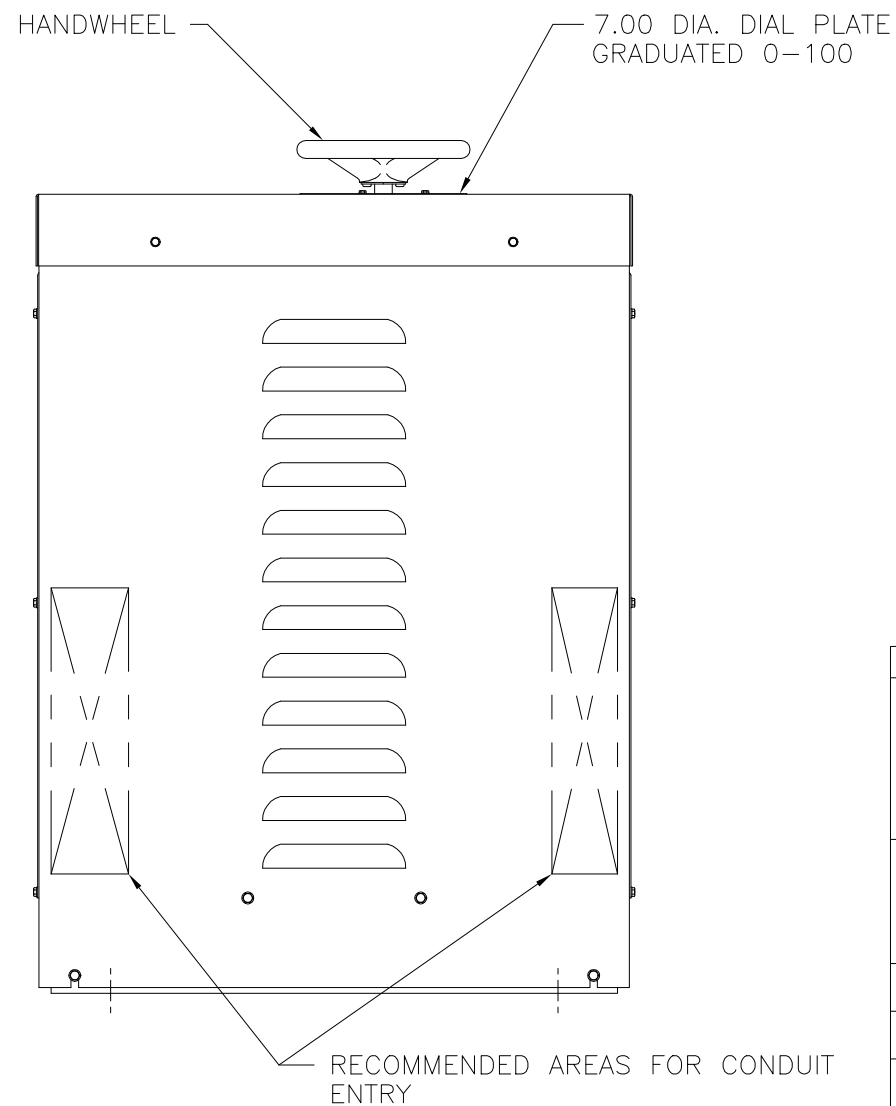
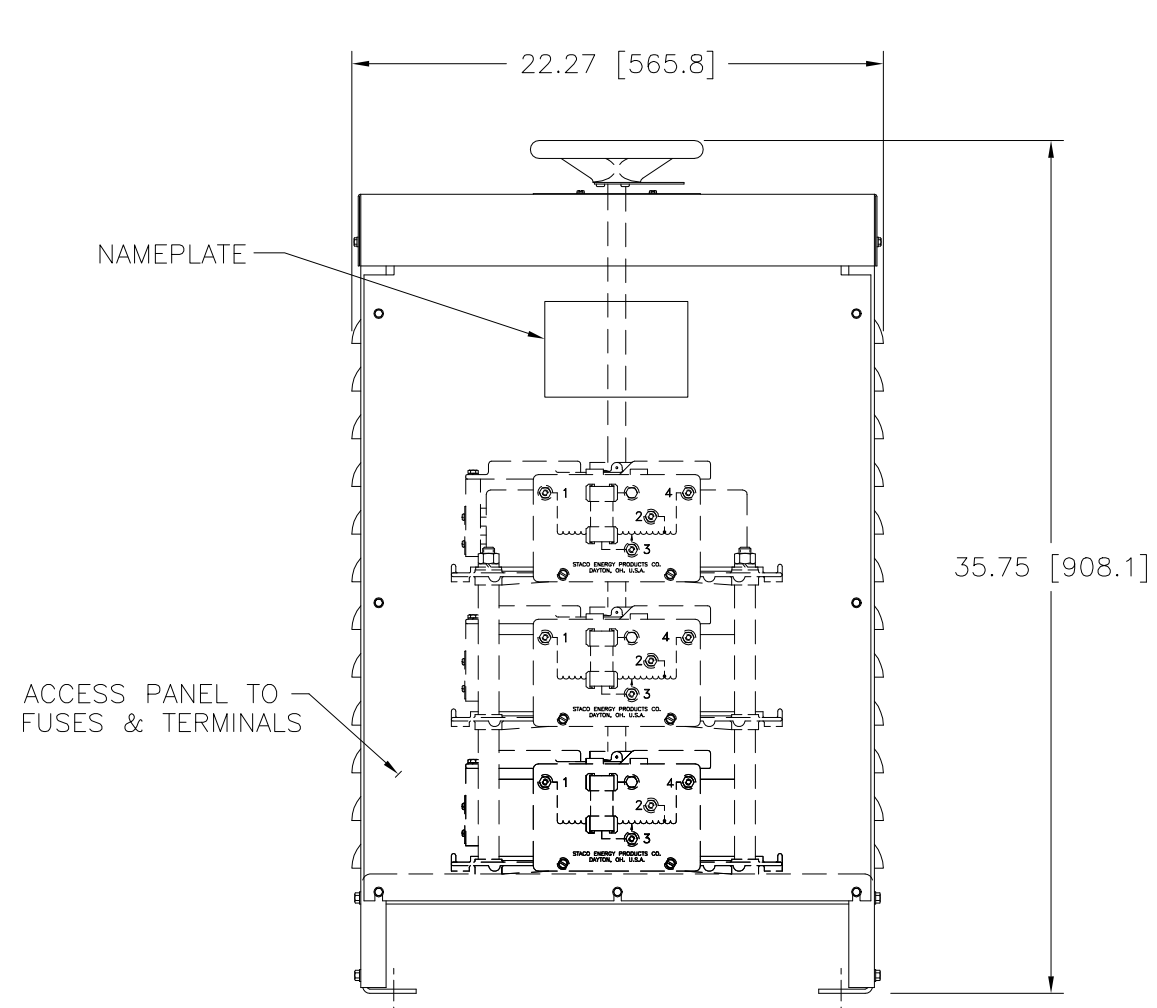
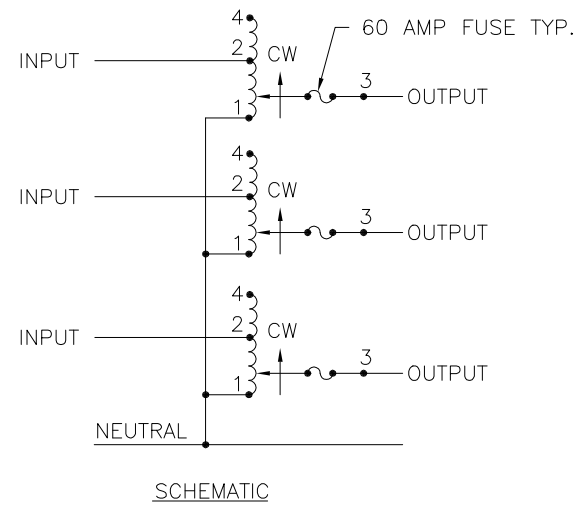
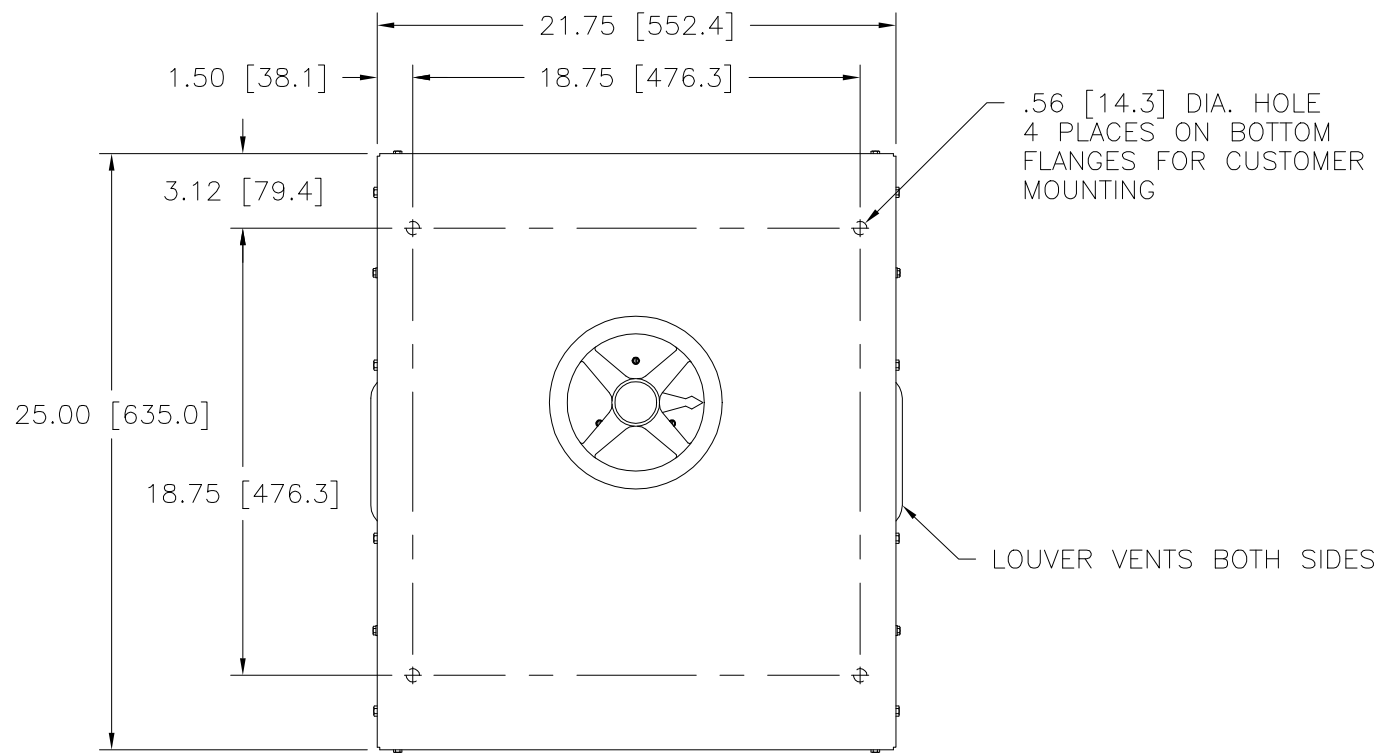
Contact us

Tel: +86-755-8981 8866 Fax: +86-755-8427 6832

Email & Skype: info@chipsmall.com Web: www.chipsmall.com

Address: A1208, Overseas Decoration Building, #122 Zhenhua RD., Futian, Shenzhen, China





SPECIFICATIONS								
WIRING	INPUT		OUTPUT			SHAFT ROTATION FOR VOLTAGE INCREASE	TERMINAL CONNECTIONS FOR INCREASING VOLTAGE AS VIEWED FROM TOP	
	VOLTS	HERTZ	VOLTS	CONSTANT CURRENT LOAD			INPUT	OUTPUT
THREE PHASE WYE	240	60	0-240	60	24.9	CW	4-4-4	3-3-3
			0-280	60	29.1	CW	2-2-2	3-3-3

UNLESS OTHERWISE SPECIFIED, TOLERANCE IS #				UNITS		TITLE:		
DECIMALS	Holes	ANGLES	DRAFT	IN	MM	SPECIFICATION CONTROL DRAWING		
.XX	.125	1°	1-1/2°			VARIABLE TRANSFORMER		
.XXX	.005					6011E-3Y		
MATERIAL:				ALL DIMENSIONS APPLY AFTER PLATING		DRAWN BY		
						F. SEALE		
						DATE		
						8/28/96		
						FIRST USED ON		
						6011E-3Y		
						DO NOT SCALE DWG.		
						CUSTOMER APPROVAL		
						DATE		
						CHECKER		
						DATE		
						WEIGHT APPROX.		
						CODE IDENT. NO.		
						83008		
						DWG. NO.		
						D		
						032-6742		
						SCALE		
						.25=1		
						SHEET 1 OF 1		



The information and design disclosed herein was originated by and is the property of STACO ENERGY PRODUCTS CO., which reserves all patent, proprietary, design, manufacturing, reproduction, use and sale rights thereto, and to any article disclosed therein except to the extent rights are expressly granted to others. The foregoing does not apply to vendor proprietary parts.