



Chipsmall Limited consists of a professional team with an average of over 10 year of expertise in the distribution of electronic components. Based in Hongkong, we have already established firm and mutual-benefit business relationships with customers from,Europe,America and south Asia,supplying obsolete and hard-to-find components to meet their specific needs.

With the principle of “Quality Parts,Customers Priority,Honest Operation,and Considerate Service”,our business mainly focus on the distribution of electronic components. Line cards we deal with include Microchip,ALPS,ROHM,Xilinx,Pulse,ON,Everlight and Freescale. Main products comprise IC,Modules,Potentiometer,IC Socket,Relay,Connector.Our parts cover such applications as commercial,industrial, and automotives areas.

We are looking forward to setting up business relationship with you and hope to provide you with the best service and solution. Let us make a better world for our industry!



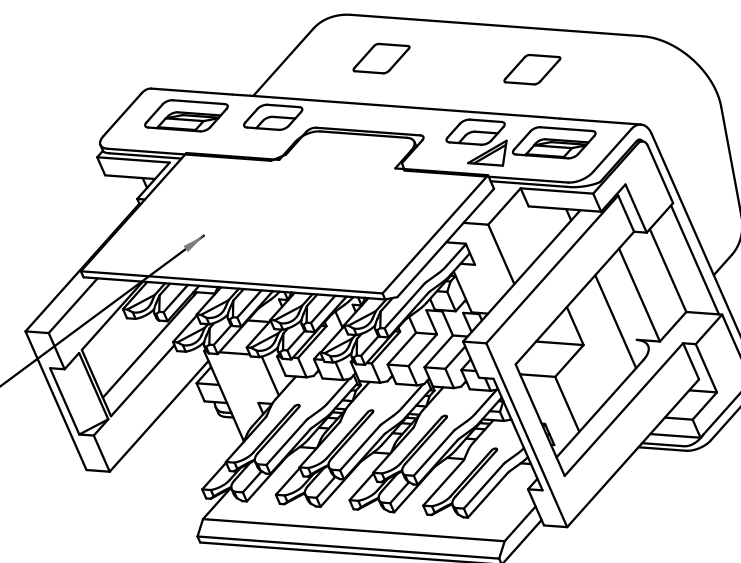
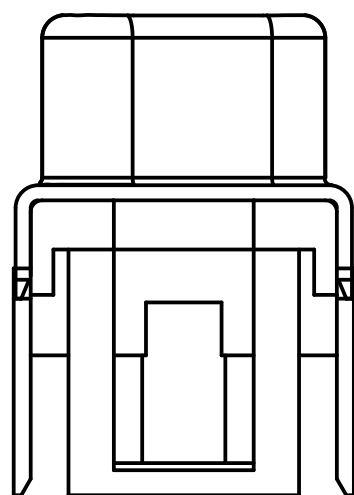
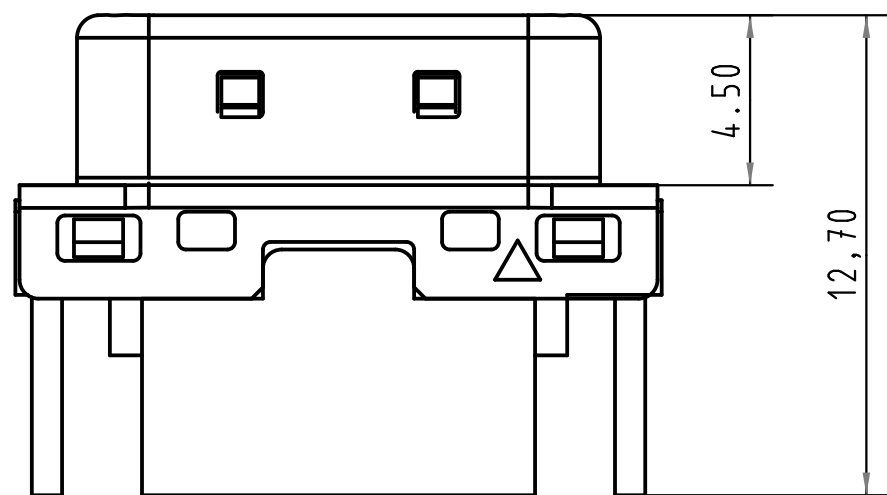
Contact us

Tel: +86-755-8981 8866 Fax: +86-755-8427 6832

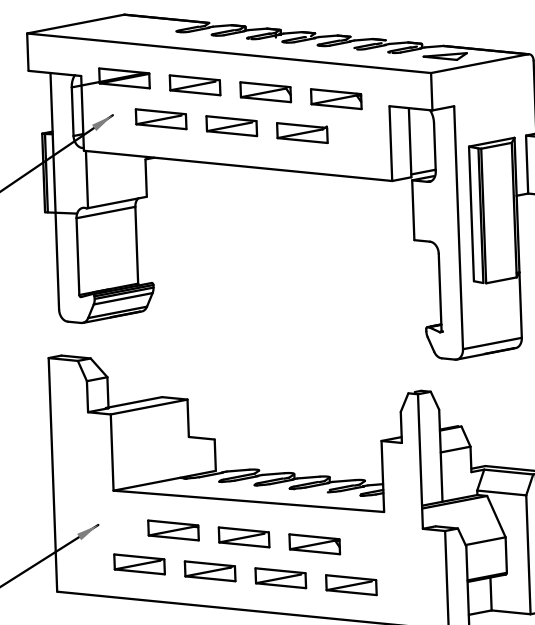
Email & Skype: info@chipsmall.com Web: www.chipsmall.com

Address: A1208, Overseas Decoration Building, #122 Zhenhua RD., Futian, Shenzhen, China



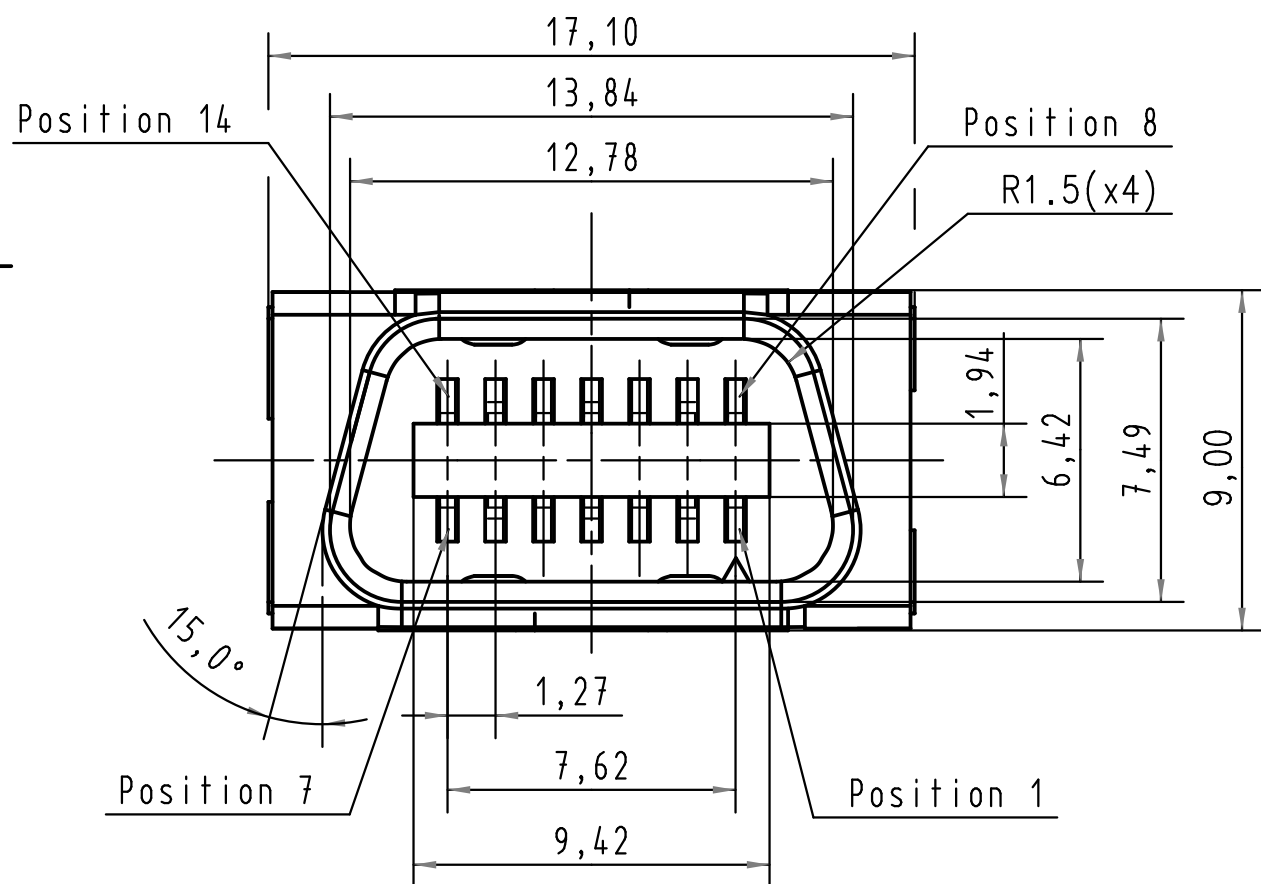


14P Har.Mik Bellow IDC Male Connector



14P COVER ONE WITH SMALL SLITS

14P COVER TWO WITH SMALL SLITS



All rights reserved

This Connector is according to IEC 61076-3-100

All Dimensions in mm Original Size DIN A 3			Techn. Character.			Free size tolerances	
			Dat.	Name	Scale	<i>har.mik</i> [®] I/O bellow 14 poles IDC male connector for wire insulator O.D from 0.50mm to 0.75mm	
			Detail.	06-MAR-08	SW	5 : 1	
			Insp.				
			Stand.				
31783	06-MAR-08	SW	Zhuhai HARTING Limited			TB 60 13 014 5205	
Mod.	Dat.	Name				Page 1 / 1	