



Chipsmall Limited consists of a professional team with an average of over 10 year of expertise in the distribution of electronic components. Based in Hongkong, we have already established firm and mutual-benefit business relationships with customers from,Europe,America and south Asia,supplying obsolete and hard-to-find components to meet their specific needs.

With the principle of “Quality Parts,Customers Priority,Honest Operation,and Considerate Service”,our business mainly focus on the distribution of electronic components. Line cards we deal with include Microchip,ALPS,ROHM,Xilinx,Pulse,ON,Everlight and Freescale. Main products comprise IC,Modules,Potentiometer,IC Socket,Relay,Connector.Our parts cover such applications as commercial,industrial, and automotives areas.

We are looking forward to setting up business relationship with you and hope to provide you with the best service and solution. Let us make a better world for our industry!



Contact us

Tel: +86-755-8981 8866 Fax: +86-755-8427 6832

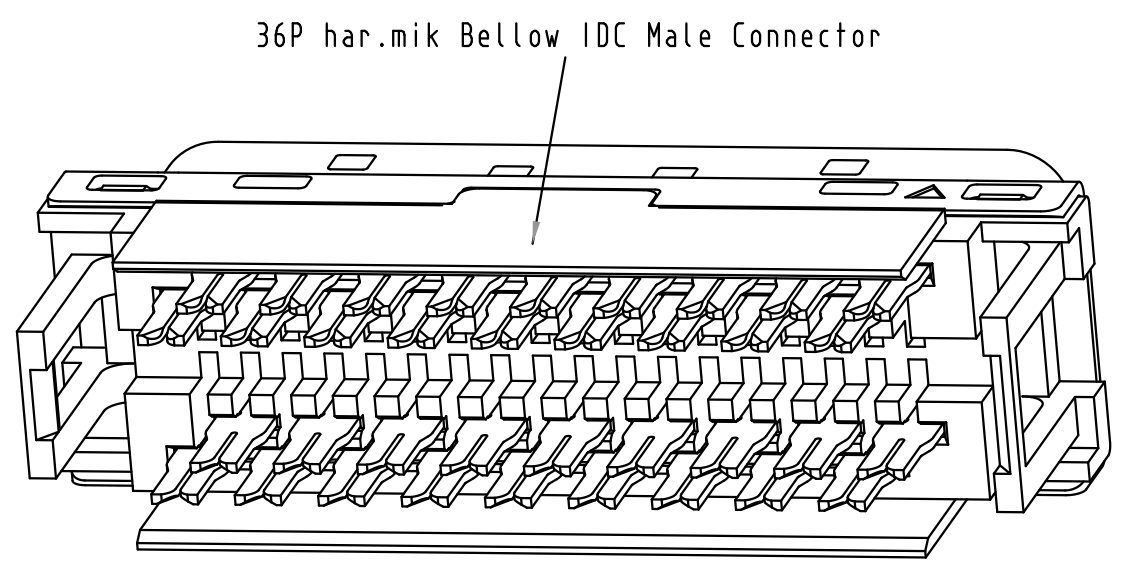
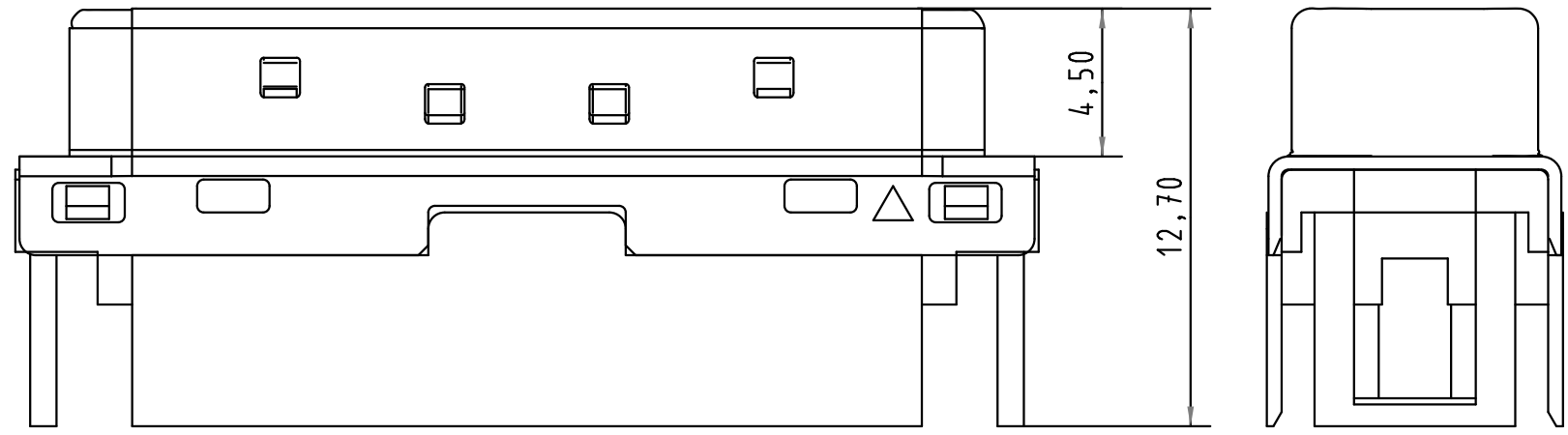
Email & Skype: info@chipsmall.com Web: www.chipsmall.com

Address: A1208, Overseas Decoration Building, #122 Zhenhua RD., Futian, Shenzhen, China

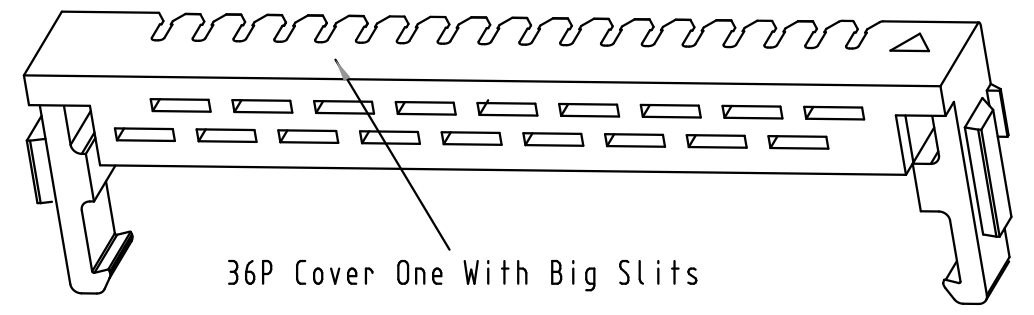
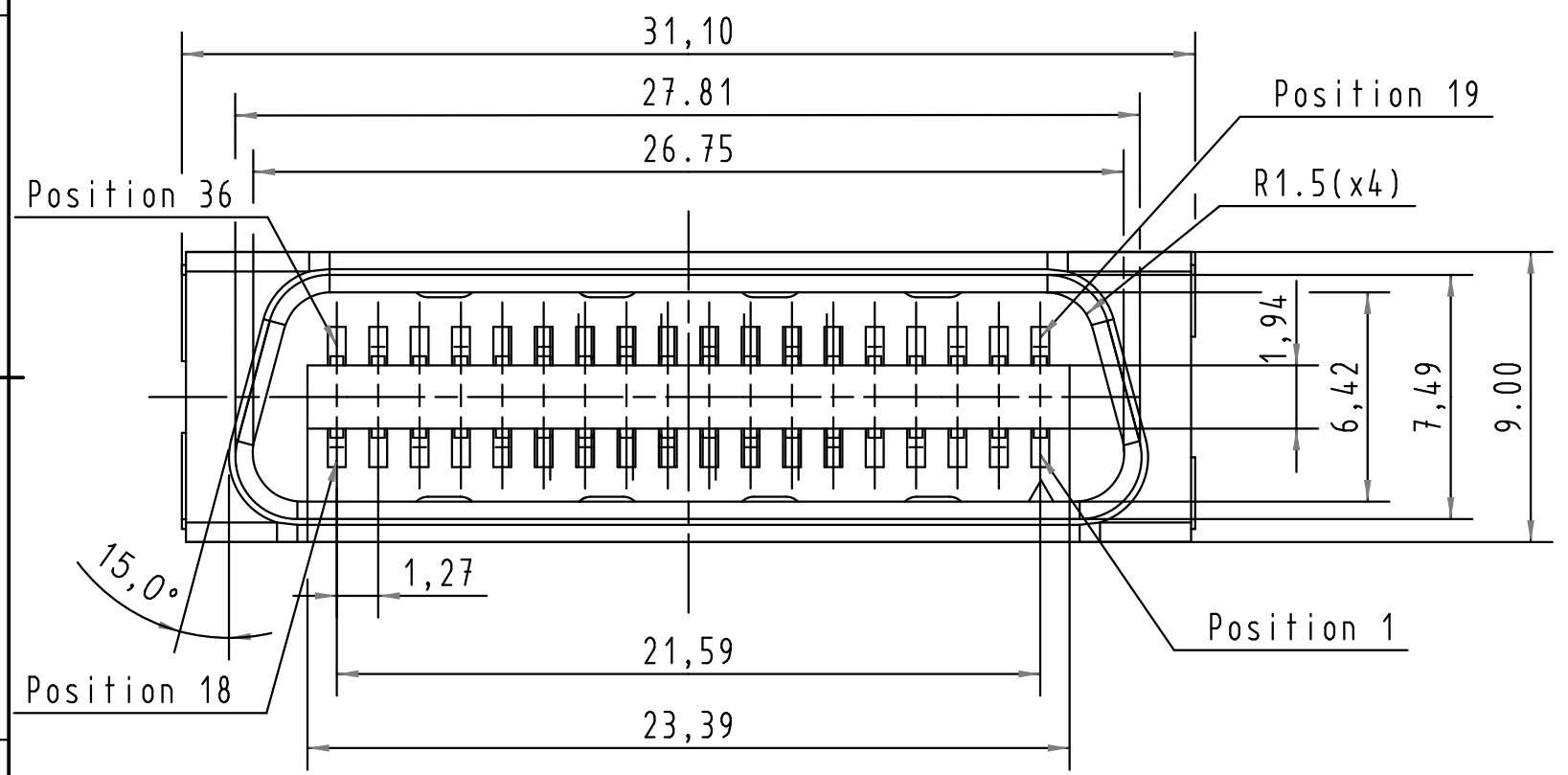


1 2 3 4 5 6 7 8

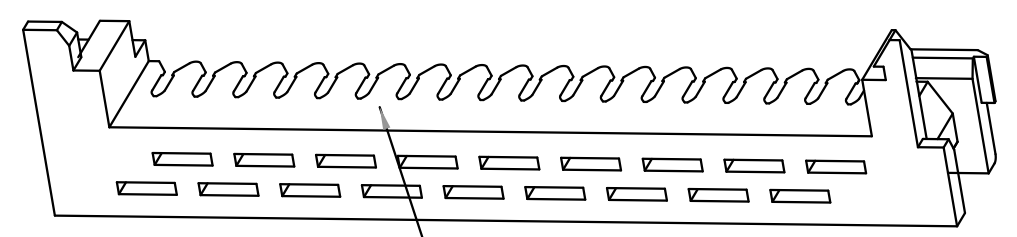
A B C D E F



36P har.mik Bellow IDC Male Connector



36P Cover One With Big Slits



36P Cover Two With Big Slits

This connector is according to IEC 61076-3-100

All Dimensions in mm Original Size DIN A 3			Techn. Character.			Free size tolerances		
				Dat.	Name	Scale 5 : 1	har.mik® I/O bellow	
			Detail.	06-MAR-08	SW		36 poles IDC male connector	
			Insp.				for wire insulator O.D	
			Stand.				from 0.75mm to 0.90mm	
31783	06-MAR-08	SW	Zhuhai Harting Limited				TB 60 13 036 5215	
Mod.	Dat.	Name					Sub.	Page 1 / 1

1 2 3 4 5 6 7 8