



Chipsmall Limited consists of a professional team with an average of over 10 year of expertise in the distribution of electronic components. Based in Hongkong, we have already established firm and mutual-benefit business relationships with customers from,Europe,America and south Asia,supplying obsolete and hard-to-find components to meet their specific needs.

With the principle of "Quality Parts,Customers Priority,Honest Operation,and Considerate Service",our business mainly focus on the distribution of electronic components. Line cards we deal with include Microchip,ALPS,ROHM,Xilinx,Pulse,ON,Everlight and Freescale. Main products comprise IC,Modules,Potentiometer,IC Socket,Relay,Connector.Our parts cover such applications as commercial,industrial, and automotives areas.

We are looking forward to setting up business relationship with you and hope to provide you with the best service and solution. Let us make a better world for our industry!



Contact us

Tel: +86-755-8981 8866 Fax: +86-755-8427 6832

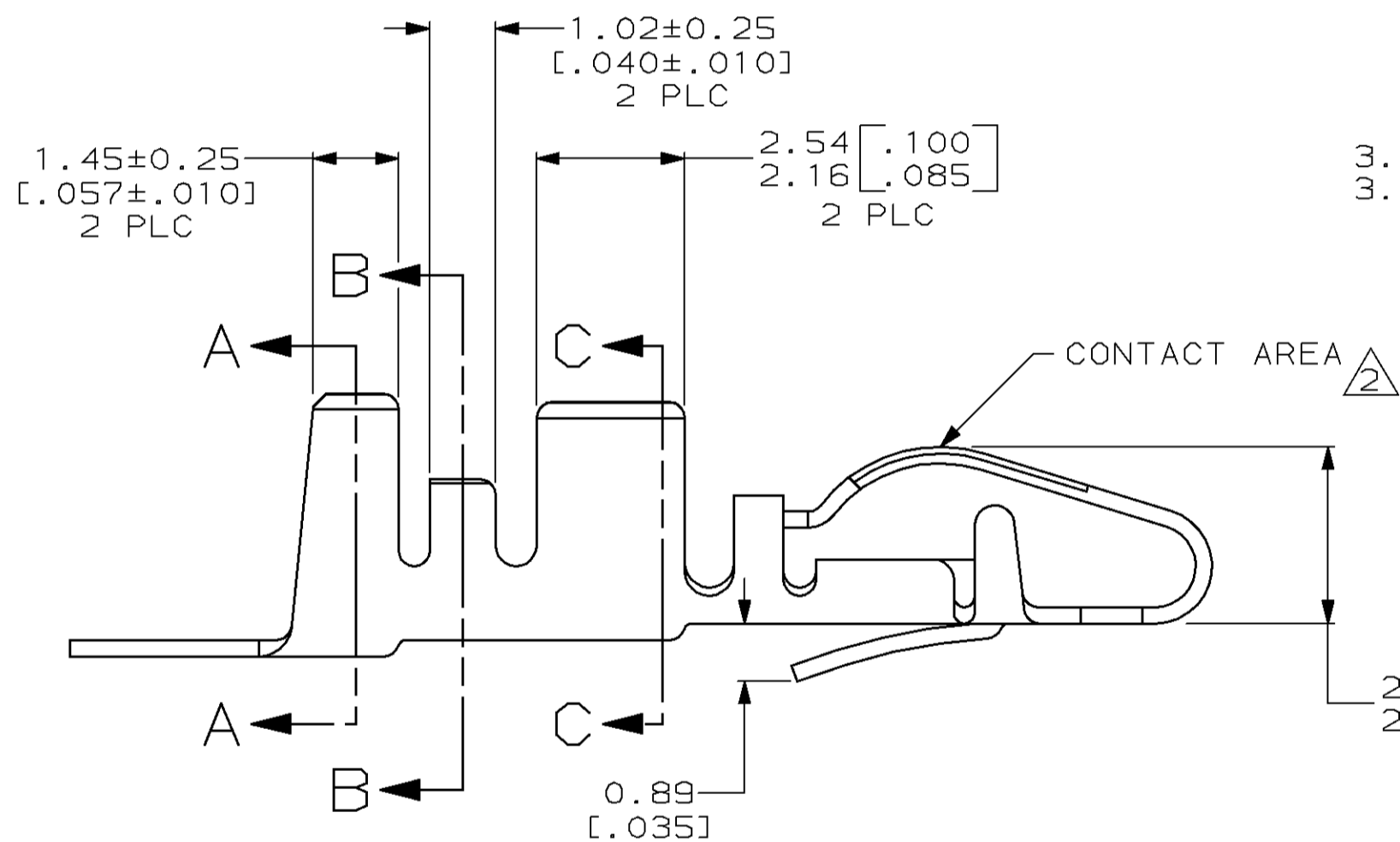
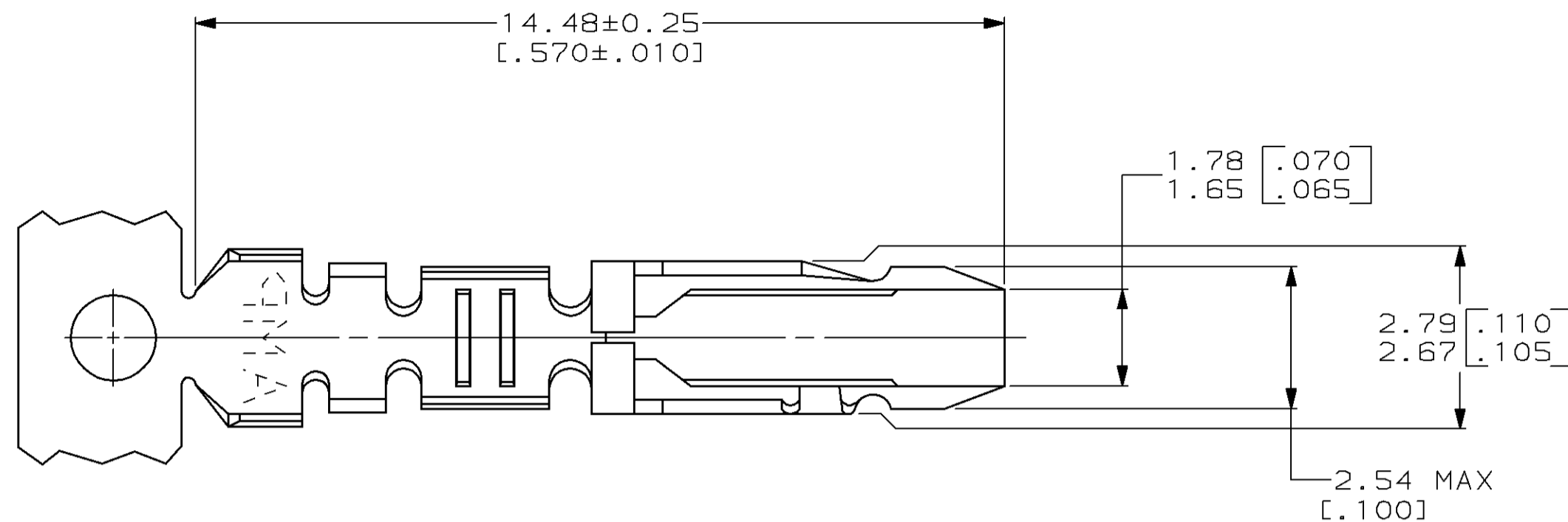
Email & Skype: info@chipsmall.com Web: www.chipsmall.com

Address: A1208, Overseas Decoration Building, #122 Zhenhua RD., Futian, Shenzhen, China



THIS DRAWING IS UNPUBLISHED. RELEASED FOR PUBLICATION
 © COPYRIGHT 19 BY AMP INCORPORATED. ALL RIGHTS RESERVED.

LOC		DIST		REVISIONS			
P	LTR	DESCRIPTION		DATE	DWN	APVD	
FT	22	W	REDRAWN W/O CHANGE PER EC 0320-299-97		28 AUG 97	-	-



SECTION A-A

SECTION B-B

SECTION C-C

- 1 PHOSPHOR BRONZE.
- 2 0.76µm [.000030] MIN GOLD IN CONTACT AREA, GOLD FLASH ON REMAINDER OF CONTACT, BOTH OVER 1.27µm [.000050] MIN NICKEL.
- 3. REVERSE REELED (LEFT TO RIGHT FEED), FOR MINI-APPLICATOR.
- 4. INSULATION RANGE: 2.03 [.080] DIA.

THIS DRAWING IS A CONTROLLED DOCUMENT.		DWN D. HARDY 28 AUG 97	AMP Incorporated Harrisburg, PA 17105-3608	
DIMENSIONS: mm [INCHES]		CHK R. STONE 04 SEP 97	NAME N. SCHROLL	
TOLERANCES UNLESS OTHERWISE SPECIFIED:		APVD 05 SEP 97	PRODUCT SPEC	
0 PLC ±-		APPLICATION SPEC		
1 PLC ±-		WEIGHT		
2 PLC ±0.13 [.005]		SCALE 10:1 SHEET 1 OF 1 REV W		
3 PLC ±-		CUSTOMER DRAWING		
4 PLC ±-		SIZE A2 CAGE CODE 00779 DRAWING NO 60151 RESTRICTED TO		
ANGLES ±-		MATERIAL 1		
FINISH 2		PART NUMBER 60151-6		