



Chipsmall Limited consists of a professional team with an average of over 10 year of expertise in the distribution of electronic components. Based in Hongkong, we have already established firm and mutual-benefit business relationships with customers from,Europe,America and south Asia,supplying obsolete and hard-to-find components to meet their specific needs.

With the principle of “Quality Parts,Customers Priority,Honest Operation,and Considerate Service”,our business mainly focus on the distribution of electronic components. Line cards we deal with include Microchip,ALPS,ROHM,Xilinx,Pulse,ON,Everlight and Freescale. Main products comprise IC,Modules,Potentiometer,IC Socket,Relay,Connector.Our parts cover such applications as commercial,industrial, and automotives areas.

We are looking forward to setting up business relationship with you and hope to provide you with the best service and solution. Let us make a better world for our industry!



Contact us

Tel: +86-755-8981 8866 Fax: +86-755-8427 6832

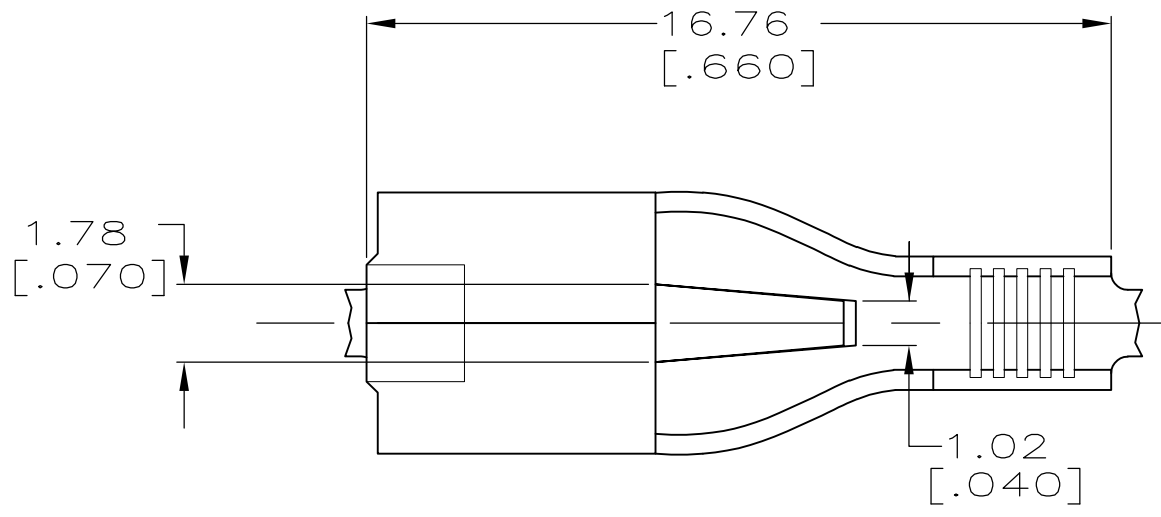
Email & Skype: info@chipsmall.com Web: www.chipsmall.com

Address: A1208, Overseas Decoration Building, #122 Zhenhua RD., Futian, Shenzhen, China

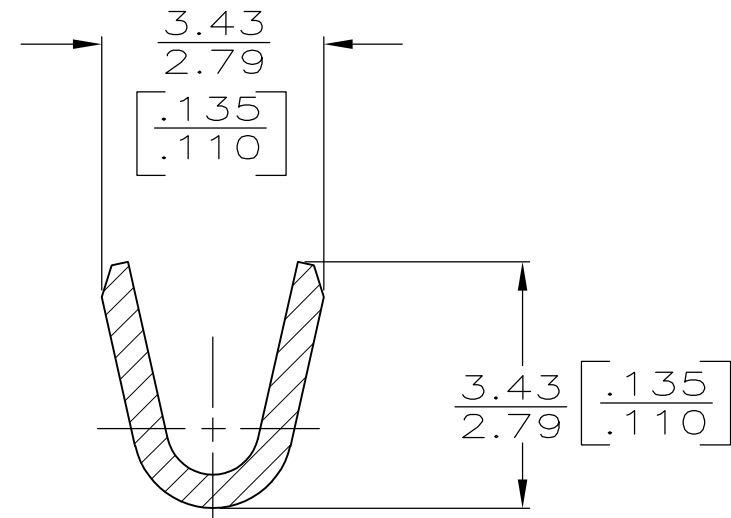


THIS DRAWING IS UNPUBLISHED. RELEASED FOR PUBLICATION
 © COPYRIGHT BY TYCO ELECTRONICS CORPORATION. ALL INTERNATIONAL RIGHTS RESERVED.

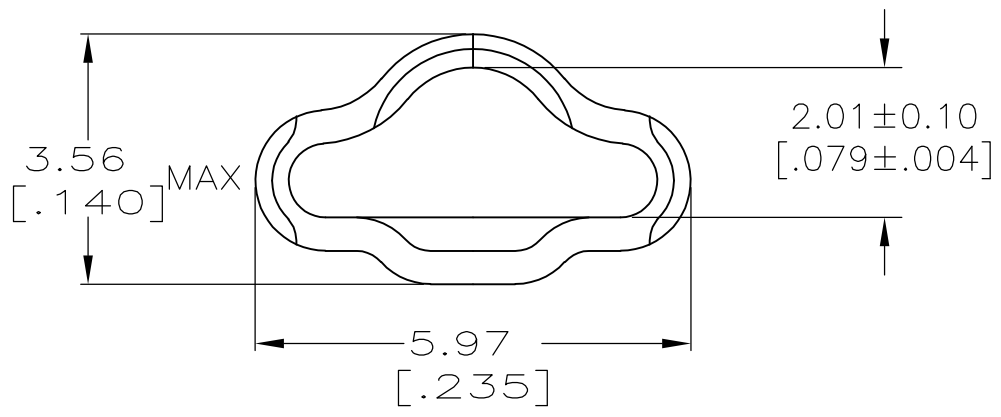
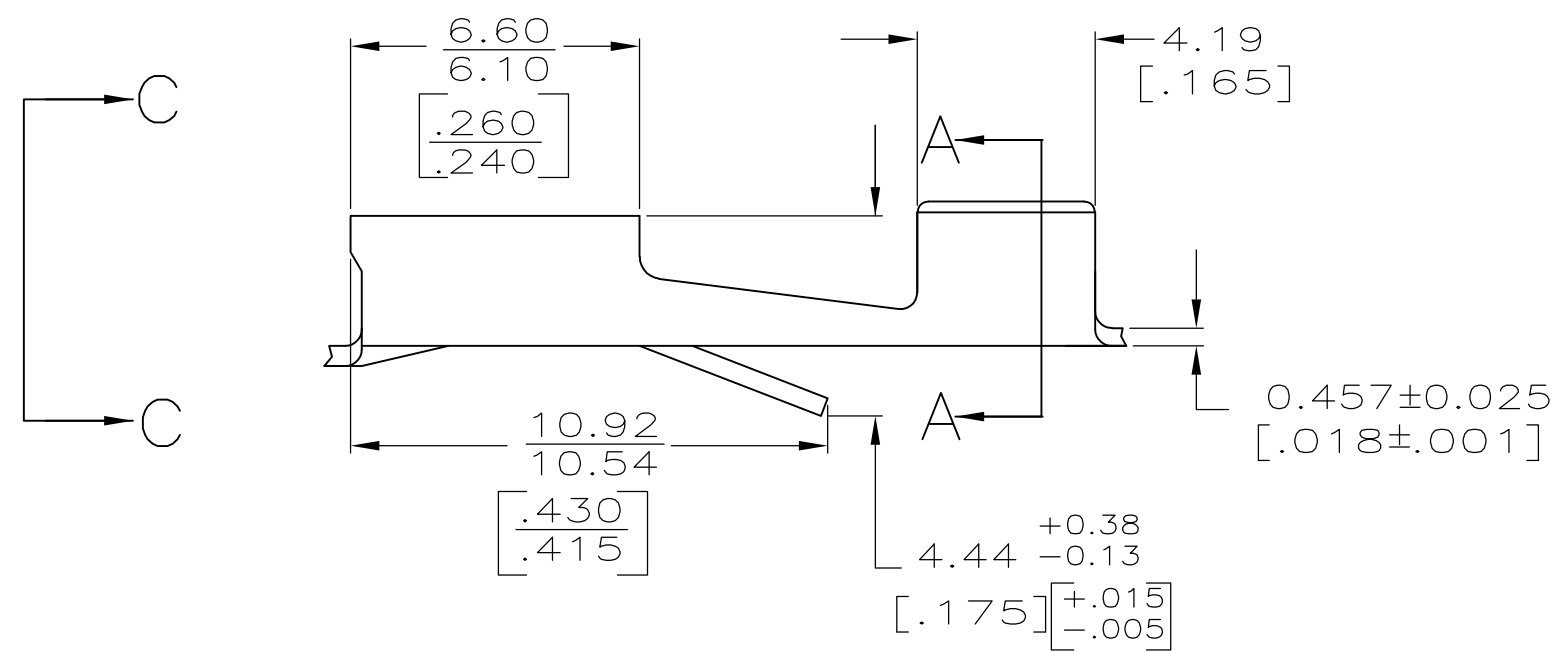
LOC	DIST	REVISIONS			
P	LTR	DESCRIPTION	DATE	DWN	APVD
AF	50	S1	REVISED PER ECR-09-014908	15JUL09	HMR DD



- 1 CONTINUOUS STRIP ON REEL.
- 2 PRELIMINARY - NOT FOR PRODUCTION



SECTION A-A
SCALE 10:1



VIEW C-C
SCALE 10:1

THIS DRAWING IS A CONTROLLED DOCUMENT.	
DIMENSIONS: mm [INCHES]	TOLERANCES UNLESS OTHERWISE SPECIFIED:
	0 PLC ± -
	1 PLC ± -
	2 PLC ± 0.25 [.010]
	3 PLC ± -
	4 PLC ± -
	ANGLES ± -
MATERIAL SEE TABLE	FINISH 0.002032 [.000080] MIN TIN PL

[21-16] AWG MAGNET WIRE	BERYLLIUM COPPER H03 PHOS BRONZE	60177-4 60177-2
WIRE RANGE	MATERIAL	PART NO
DWN PHIL FORTNEY 9/8/93	Tyco Electronics Corporation Harrisburg, PA 17105-3608	
CHK JEFF RUTH 9/8/93	NAME	
APVD GARY YETTER 9/8/93	PIN RECEPTACLE, 2.29 [.090] DIA	
PRODUCT SPEC	SIZE	CAGE CODE
APPLICATION SPEC	DRAWING NO	RESTRICTED TO
WEIGHT	A3 00779	C-60177
CUSTOMER DRAWING	SCALE 6:1	SHEET 1 OF 1
		REV S1