



Chipsmall Limited consists of a professional team with an average of over 10 year of expertise in the distribution of electronic components. Based in Hongkong, we have already established firm and mutual-benefit business relationships with customers from,Europe,America and south Asia,supplying obsolete and hard-to-find components to meet their specific needs.

With the principle of “Quality Parts,Customers Priority,Honest Operation,and Considerate Service”,our business mainly focus on the distribution of electronic components. Line cards we deal with include Microchip,ALPS,ROHM,Xilinx,Pulse,ON,Everlight and Freescale. Main products comprise IC,Modules,Potentiometer,IC Socket,Relay,Connector.Our parts cover such applications as commercial,industrial, and automotives areas.

We are looking forward to setting up business relationship with you and hope to provide you with the best service and solution. Let us make a better world for our industry!



## Contact us

Tel: +86-755-8981 8866 Fax: +86-755-8427 6832

Email & Skype: info@chipsmall.com Web: www.chipsmall.com

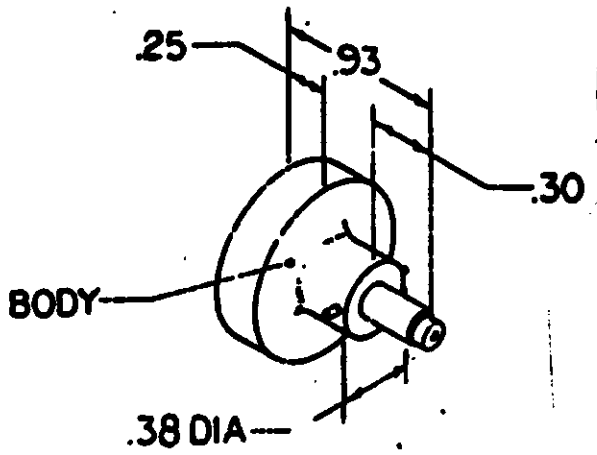
Address: A1208, Overseas Decoration Building, #122 Zhenhua RD., Futian, Shenzhen, China



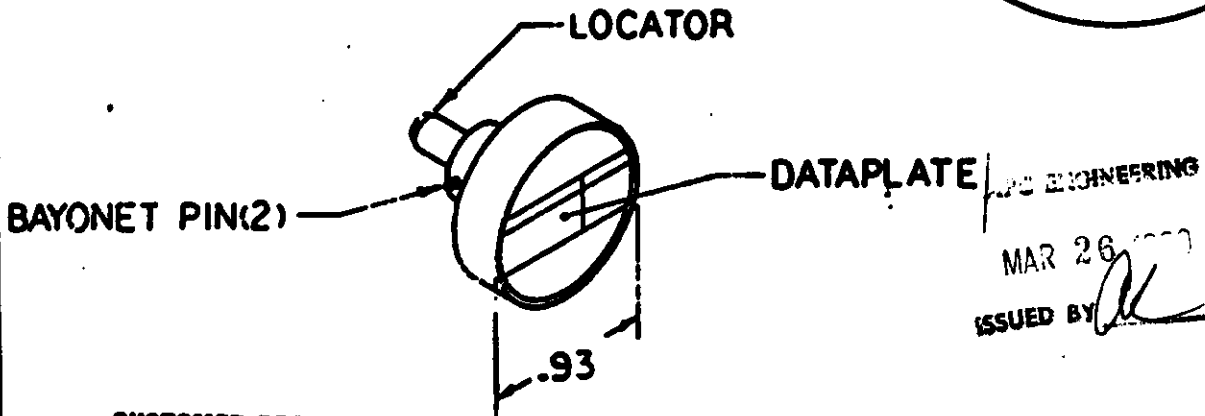
USED ON 601966-1

THIS INFORMATION IS CONFIDENTIAL AND IS DISCLOSED TO YOU ON CONDITION THAT NO FURTHER DISCLOSURE IS MADE BY YOU TO OTHERS WITHOUT WRITTEN AUTHORIZATION FROM AMP PRODUCTS CORP., VALLEY FORGE, PA., U.S.A.

DO NOT SCALE DRAWING



USE WITH CONTACTS		
SEL.	M24308/10-1 M24308/11-1 M28028/11-20-20 M28028/12-20-20	M24308/16A/17 -1 THRU -6 INNER P & S
4	---	RG141A, 142A, 142B, 178B, 180B, 188, 198A, 198A, 303, 316/U
5	24	RG68B, 80C, 223/U
6	22	---
7	20	---



ISSUED BY *[Signature]*  
MAR 26 1988  
RAYFOL ENGINEERING

CUSTOMER DRAWING  
UNPUBLISHED

601966-5		POSITIONER, AS SHOWN		ITEM NO
DWG SIZE	PART NO	DESCRIPTION		ITEM NO
← REVISION OF EACH ASSY NO (WHEN BLANK, USE DWG REVISION)				
QTY REQD PER ASSY		PARTS LIST		
		MATERIAL ---	HEAT TREAT ---	FINISH ---
		TOLERANCES UNLESS OTHERWISE SPECIFIED: DECIMALS: .00 = ± .02. .000 = ± .000. .0000 = ± .0003 ANGLES: ± 0° 30' FRACTIONS: ± 1/64	DR <i>Ray Johnson</i> 6-9-88	APP <i>Ray Johnson</i> 6-9-88
			CHK <i>W. Werner</i> 6/12/88	REL <i>F. HARNED</i> 3-20-89
AMP PRODUCTS CORPORATION Valley Forge, PA 19482 A Subsidiary of AMP Incorporated				
NAME POSITIONER, K13-1				
P	F	LTR	REVISION RECORD	APP DATE
			REL DWS 6-9-88	F. 6/88
SCALE		A	DWG NO	601966-5
			SHEET	REV
				0