



Chipsmall Limited consists of a professional team with an average of over 10 year of expertise in the distribution of electronic components. Based in Hongkong, we have already established firm and mutual-benefit business relationships with customers from,Europe,America and south Asia,supplying obsolete and hard-to-find components to meet their specific needs.

With the principle of “Quality Parts,Customers Priority,Honest Operation,and Considerate Service”,our business mainly focus on the distribution of electronic components. Line cards we deal with include Microchip,ALPS,ROHM,Xilinx,Pulse,ON,Everlight and Freescale. Main products comprise IC,Modules,Potentiometer,IC Socket,Relay,Connector.Our parts cover such applications as commercial,industrial, and automotives areas.

We are looking forward to setting up business relationship with you and hope to provide you with the best service and solution. Let us make a better world for our industry!



Contact us

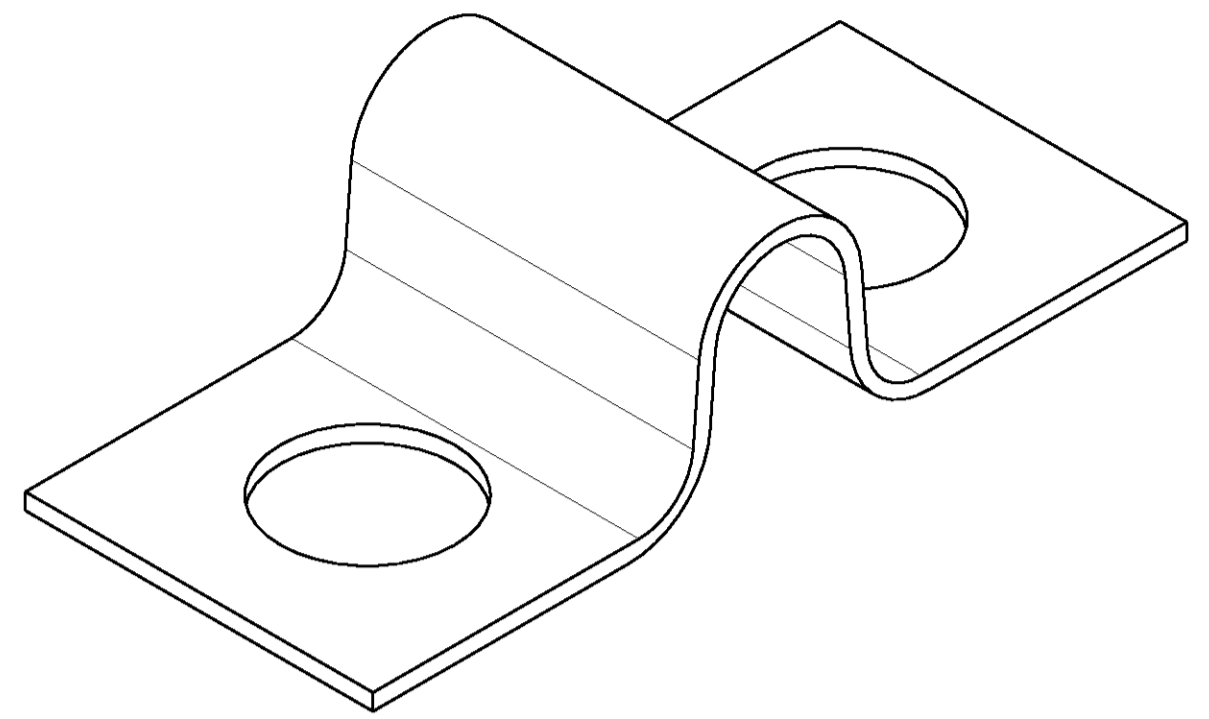
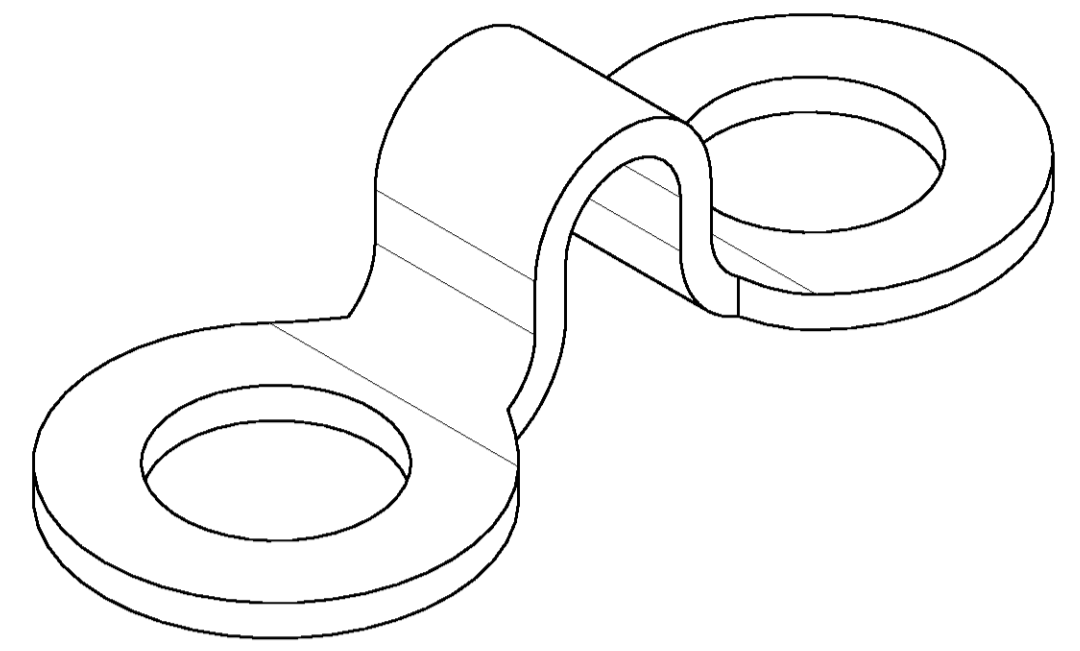
Tel: +86-755-8981 8866 Fax: +86-755-8427 6832

Email & Skype: info@chipsmall.com Web: www.chipsmall.com

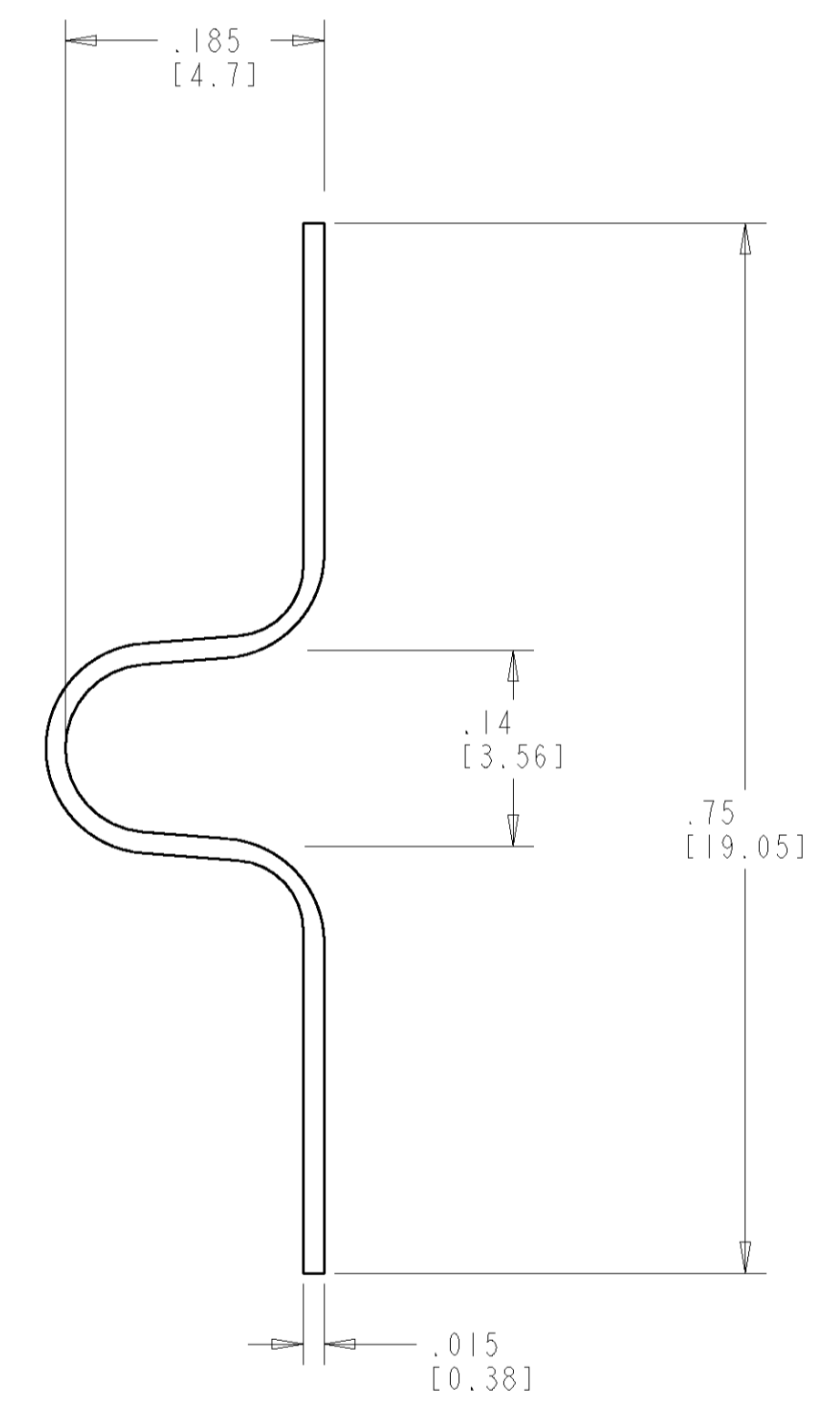
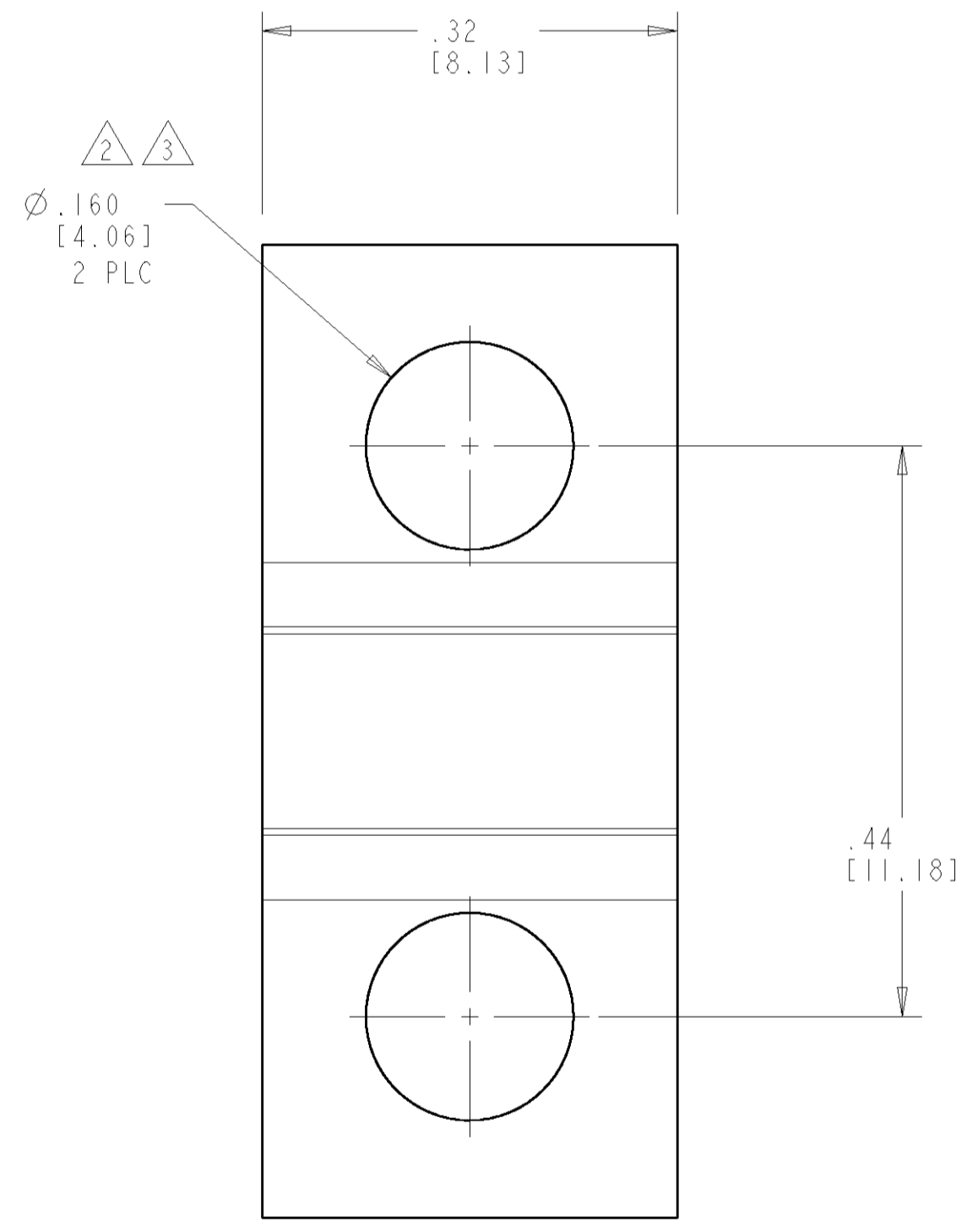
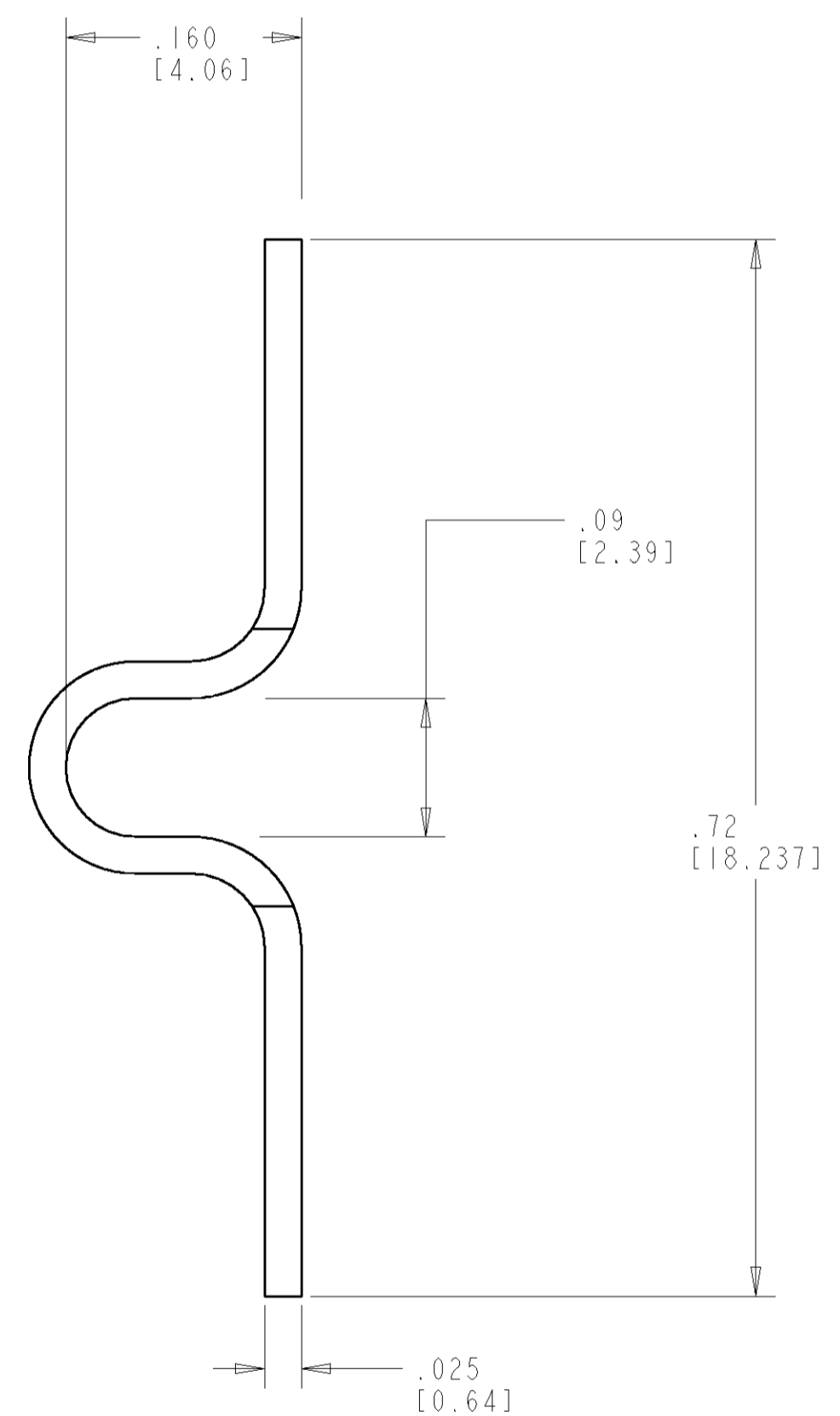
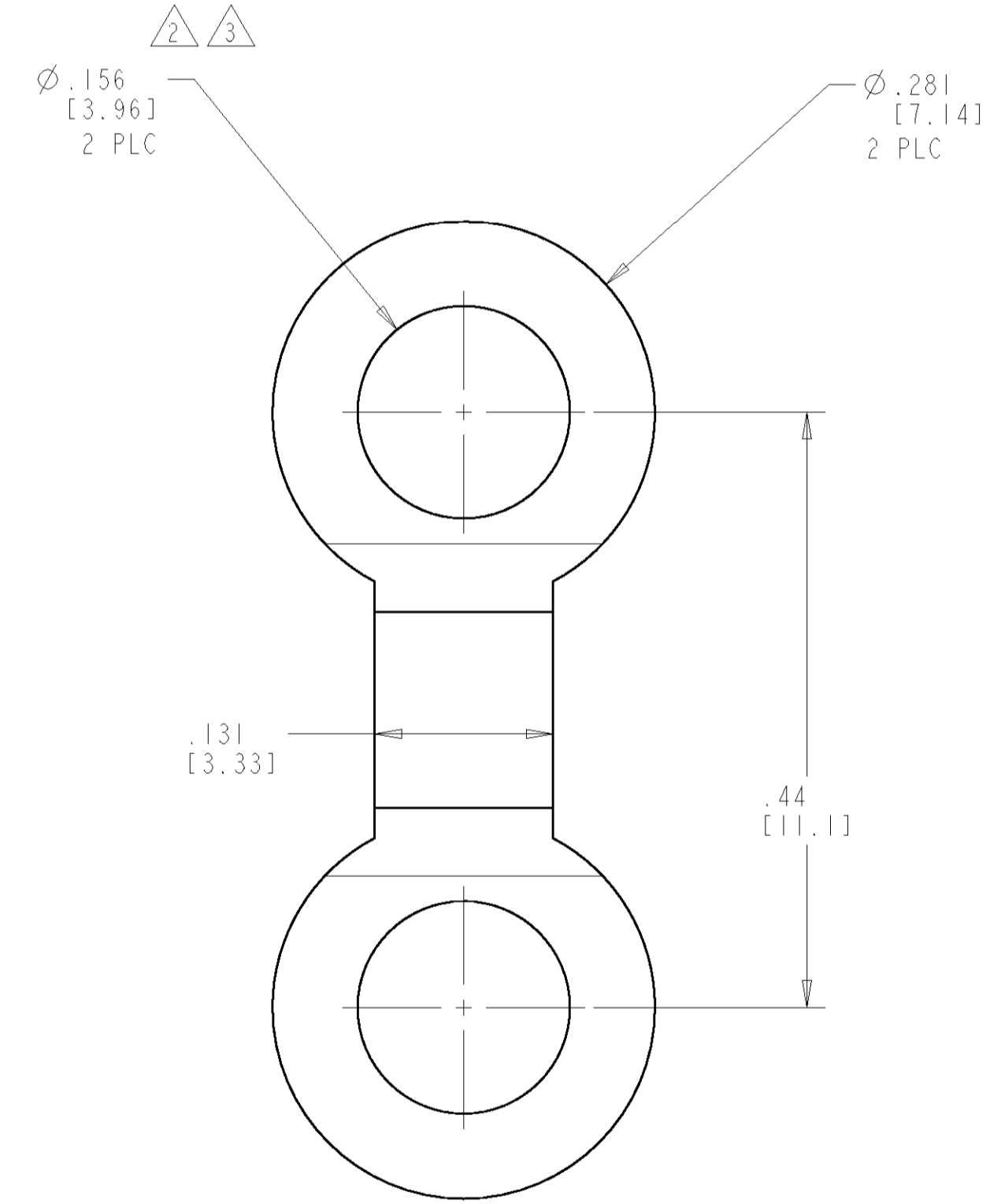
Address: A1208, Overseas Decoration Building, #122 Zhenhua RD., Futian, Shenzhen, China



LOC		DIST		REVISIONS			
P	LTR	DESCRIPTION	DATE	DRN	APVD		
A1		REVISED PER ECO-11-005294	30APR11	RK	HMR		



- 1 MATERIAL: NICKEL OVER BRASS.
- 2 #6 STUD SIZE.
- 3 COMMONING TAB FOR 2 ADJACENT CIRCUIT POSITIONS.



ALTERNATE DESIGN

601985-2
PART NO.

DIMENSIONS:		TOLERANCES UNLESS OTHERWISE SPECIFIED:		DRN	T. PITTS	22MAR02	TE Connectivity
MM [INCHES]		0 PLC ±		CHK	L. SMITH	22MAR02	
		1 PLC ±		APVD	M. DELPHIAS	22MAR02	NAME
		2 PLC ±		PRODUCT SPEC			TAB, JUMPER, 6
		3 PLC ±		APPLICATION SPEC			-
		4 PLC ±		SIZE			A1 00779 C=601985
MATERIAL		FINISH		WEIGHT			RESTRICTED TO
-		-		CUSTOMER DRAWING			SCALE 8:1 SHEET 1 OF 1 REV A1