



Chipsmall Limited consists of a professional team with an average of over 10 year of expertise in the distribution of electronic components. Based in Hongkong, we have already established firm and mutual-benefit business relationships with customers from,Europe,America and south Asia,supplying obsolete and hard-to-find components to meet their specific needs.

With the principle of “Quality Parts,Customers Priority,Honest Operation,and Considerate Service”,our business mainly focus on the distribution of electronic components. Line cards we deal with include Microchip,ALPS,ROHM,Xilinx,Pulse,ON,Everlight and Freescale. Main products comprise IC,Modules,Potentiometer,IC Socket,Relay,Connector.Our parts cover such applications as commercial,industrial, and automotives areas.

We are looking forward to setting up business relationship with you and hope to provide you with the best service and solution. Let us make a better world for our industry!



Contact us

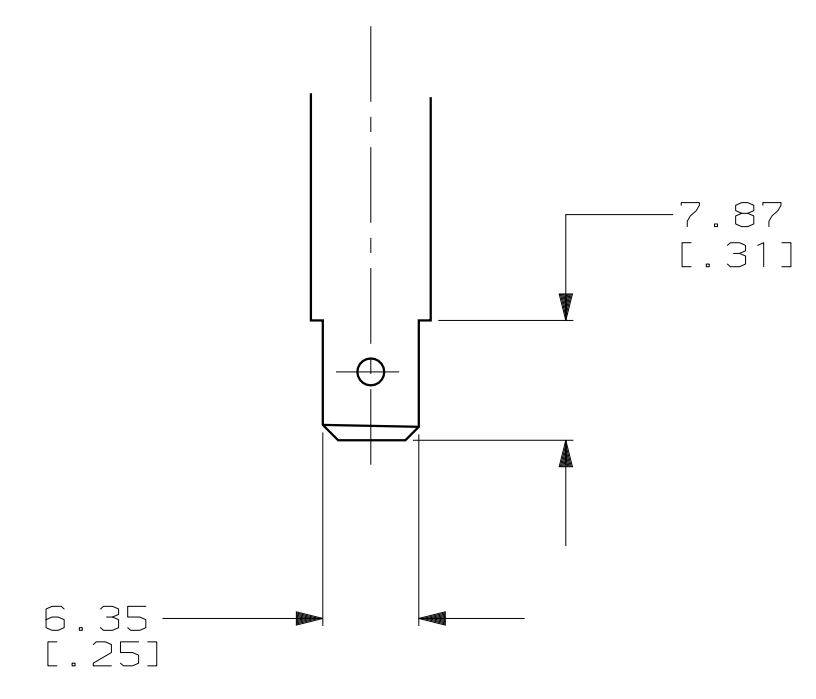
Tel: +86-755-8981 8866 Fax: +86-755-8427 6832

Email & Skype: info@chipsmall.com Web: www.chipsmall.com

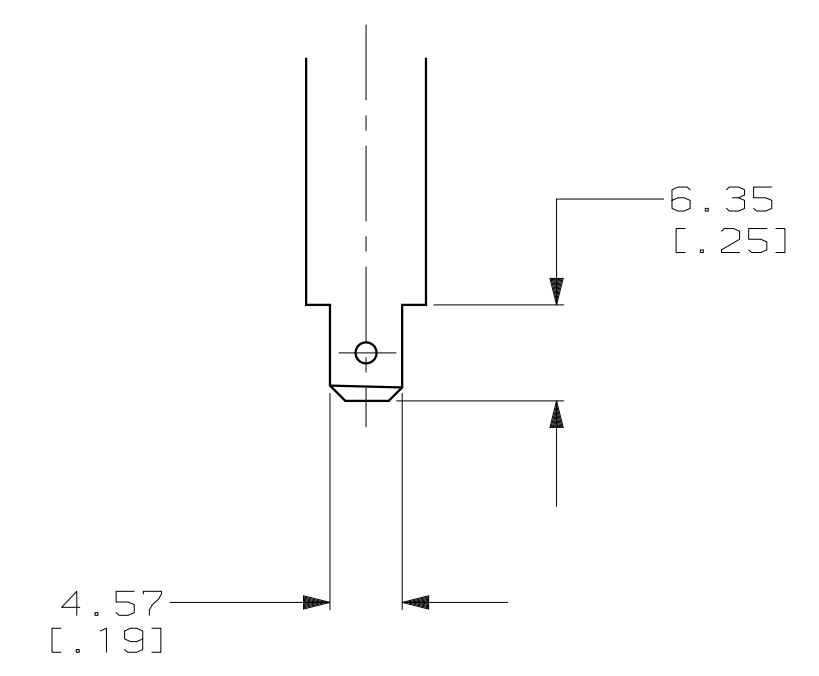
Address: A1208, Overseas Decoration Building, #122 Zhenhua RD., Futian, Shenzhen, China



LOC	DIST	P	F	ZONE	LTR	REVISIONS	DATE	APPD
EY	25					DESCRIPTION		
						REDRAWN, REV, EC0230-0306-94	11-15-94	GF

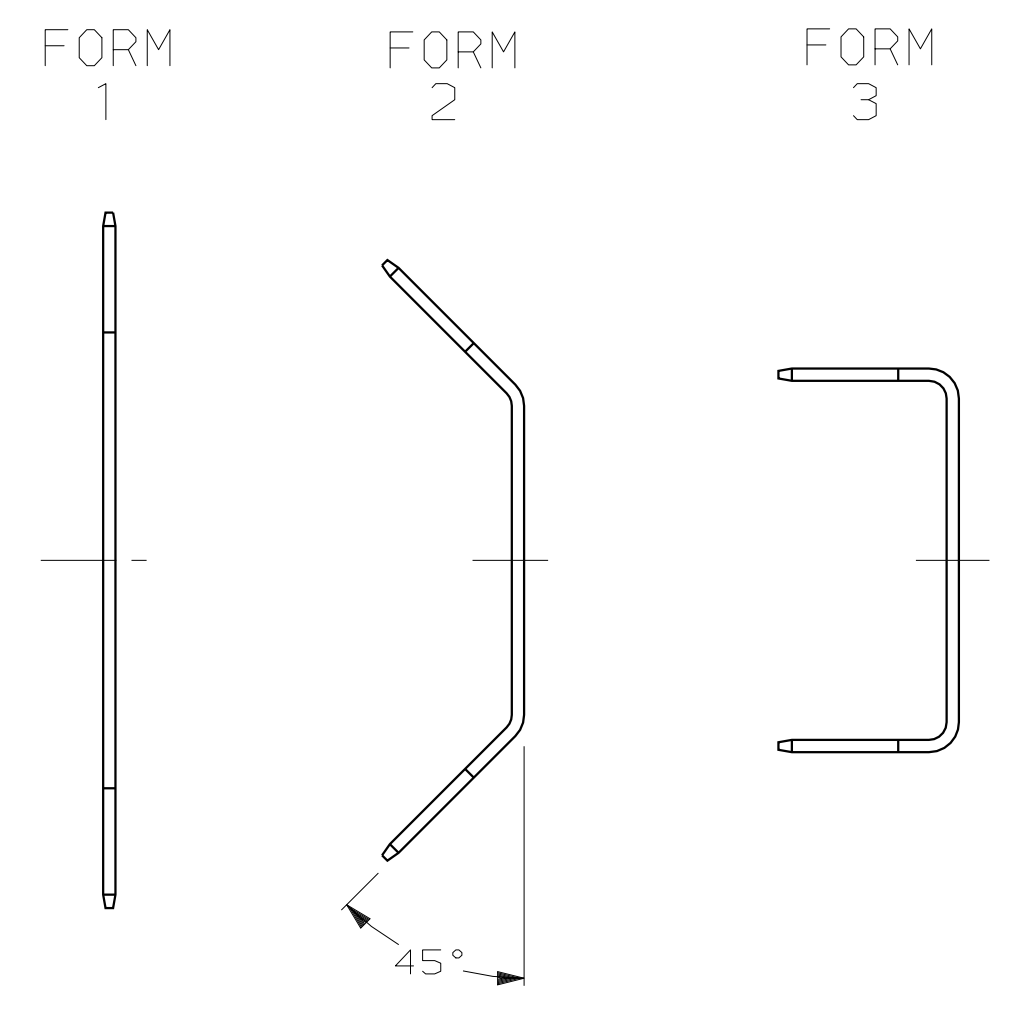
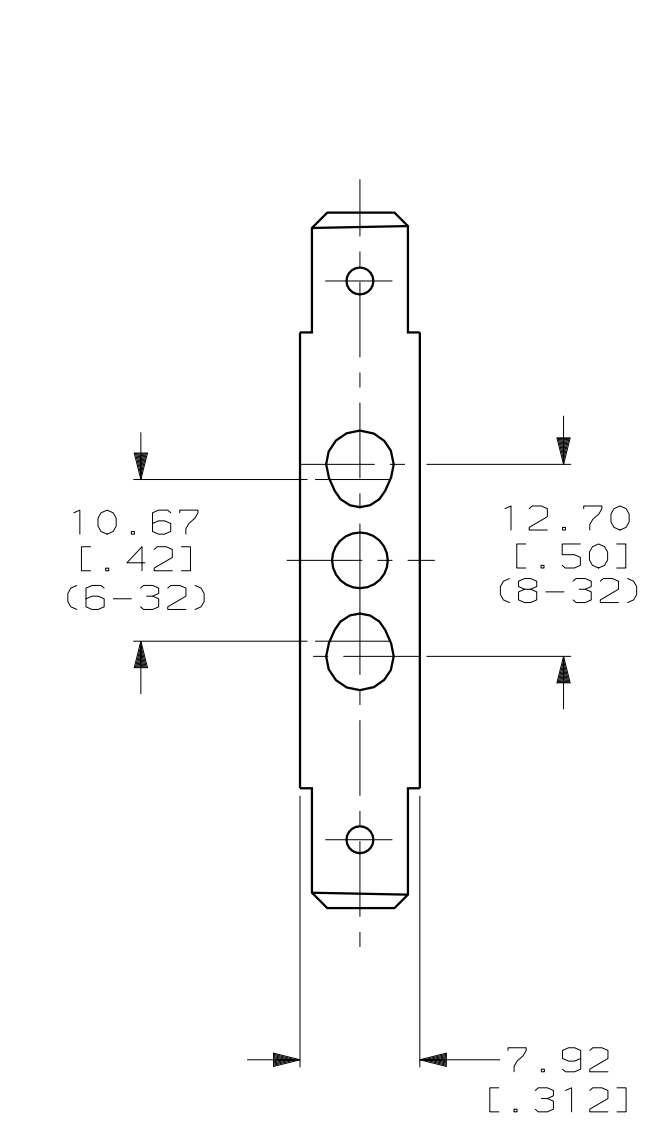


END 'A'
 .79
 [.031] THK.



END 'C'
 .51
 [.020] THK.

- ① PART NUMBER 3-601989-1 PACKAGED
100 PER CARTON.
- ② PART NUMBER 3-601989-2 PACKAGED
100 PER CARTON.
- ③ PART NUMBER 3-601989-3 PACKAGED
100 PER CARTON.



①	A	3	3-601989-3
②	A	2	3-601989-2
③	A	1	3-601989-1
-	C	3	1-601989-5
-	C	2	1-601989-4
-	C	1	1-601989-3
-	A	3	601989-3
-	A	2	601989-2
-	A	1	601989-1
PACKAGE	END	FORM	PART NO.

DO NOT SCALE PRINT. UNLESS SPECIFIED DIMENSIONS IN mm [INCHES]		PART NO	
DR 11-15-94 G. FOSTER	CHK 12-2-94 N. JONES	AMP Incorporated Harrisburg, PA 17105-3608	
2 PLC DEC ± .02	3 PLC DEC ± .005		
ANGLES ± 0° 30'	APPD 12-5-94 D. KAAT	NAME	
MATERIAL	APPD 12-6-94 F. HARNED	FASTON TAB, DOUBLE END	
BRASS 70-30 1/2 HD	PRODUCT SPEC	SIZE	CAGE CODE
FINISH	APPLICATION SPEC	D	00779
ELECTROTIN	WEIGHT	SCALE	DRAWING NO
		2:1	C-601989
			SHEET 1 OF 2

THIS DRAWING IS A CONTROLLED DOCUMENT FOR AMP INCORPORATED. IT IS SUBJECT TO CHANGE AND THE CONTROLLING ENGINEERING ORGANIZATION SHOULD BE CONTACTED FOR THE LATEST REVISION.