



Chipsmall Limited consists of a professional team with an average of over 10 year of expertise in the distribution of electronic components. Based in Hongkong, we have already established firm and mutual-benefit business relationships with customers from,Europe,America and south Asia,supplying obsolete and hard-to-find components to meet their specific needs.

With the principle of “Quality Parts,Customers Priority,Honest Operation,and Considerate Service”,our business mainly focus on the distribution of electronic components. Line cards we deal with include Microchip,ALPS,ROHM,Xilinx,Pulse,ON,Everlight and Freescale. Main products comprise IC,Modules,Potentiometer,IC Socket,Relay,Connector.Our parts cover such applications as commercial,industrial, and automotives areas.

We are looking forward to setting up business relationship with you and hope to provide you with the best service and solution. Let us make a better world for our industry!



Contact us

Tel: +86-755-8981 8866 Fax: +86-755-8427 6832

Email & Skype: info@chipsmall.com Web: www.chipsmall.com

Address: A1208, Overseas Decoration Building, #122 Zhenhua RD., Futian, Shenzhen, China



MM74HC165 Parallel-in/Serial-out 8-Bit Shift Register

General Description

The MM74HC165 high speed PARALLEL-IN/SERIAL-OUT SHIFT REGISTER utilizes advanced silicon-gate CMOS technology. It has the low power consumption and high noise immunity of standard CMOS integrated circuits, along with the ability to drive 10 LS-TTL loads.

This 8-bit serial shift register shifts data from Q_A to Q_H when clocked. Parallel inputs to each stage are enabled by a low level at the SHIFT/LOAD input. Also included is a gated CLOCK input and a complementary output from the eighth bit.

Clocking is accomplished through a 2-input NOR gate permitting one input to be used as a CLOCK INHIBIT function. Holding either of the CLOCK inputs high inhibits clocking, and holding either CLOCK input low with the SHIFT/LOAD input high enables the other CLOCK input. Data transfer occurs on the positive going edge of the clock. Parallel

loading is inhibited as long as the SHIFT/LOAD input is HIGH. When taken LOW, data at the parallel inputs is loaded directly into the register independent of the state of the clock.

The 74HC logic family is functionally as well as pin-out compatible with the standard 74LS logic family. All inputs are protected from damage due to static discharge by internal diode clamps to V_{CC} and ground.

Features

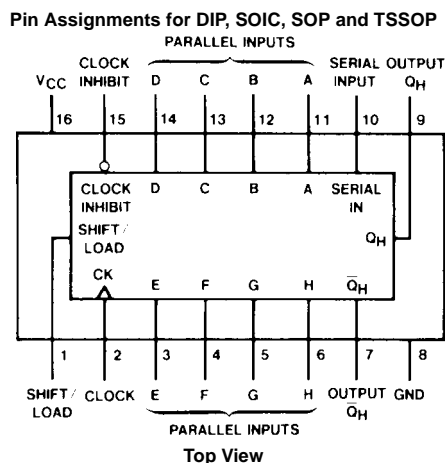
- Typical propagation delay: 20 ns (clock to Q)
- Wide operating supply voltage range: 2–6V
- Low input current: 1 μ A maximum
- Low quiescent supply current: 80 μ A maximum (74HC Series)
- Fanout of 10 LS-TTL loads

Ordering Code:

Order Number	Package Number	Package Description
MM74HC165M	M16A	16-Lead Small Outline Integrated Circuit (SOIC), JEDEC MS-012, 0.150" Narrow
MM74HC165SJ	M16D	16-Lead Small Outline Package (SOP), EIAJ TYPE II, 5.3mm Wide
MM74HC165MTC	MTC16	16-Lead Thin Shrink Small Outline Package (TSSOP), JEDEC MO-153, 4.4mm Wide
MM74HC165	N16E	16-Lead Plastic Dual-In-Line Package (PDIP), JEDEC MS-001, 0.300" Wide

Devices also available in Tape and Reel. Specify by appending the suffix letter "X" to the ordering code.

Connection Diagram



Function Table

Inputs					Internal		Output
Shift/Load	Clock Inhibit	Clock	Serial	Parallel	Outputs		Q_H
				A . . . H	Q_A	Q_B	
L	X	X	X	a . . . h	a	b	h
H	L	L	X	X	Q_{A0}	Q_{B0}	Q_{H0}
H	L	\uparrow	H	X	H	Q_{AN}	Q_{GN}
H	L	\uparrow	L	X	L	Q_{AN}	Q_{GN}
H	H	X	X	X	Q_{A0}	Q_{B0}	Q_{H0}

H = HIGH Level (steady state), L = LOW Level (steady state)

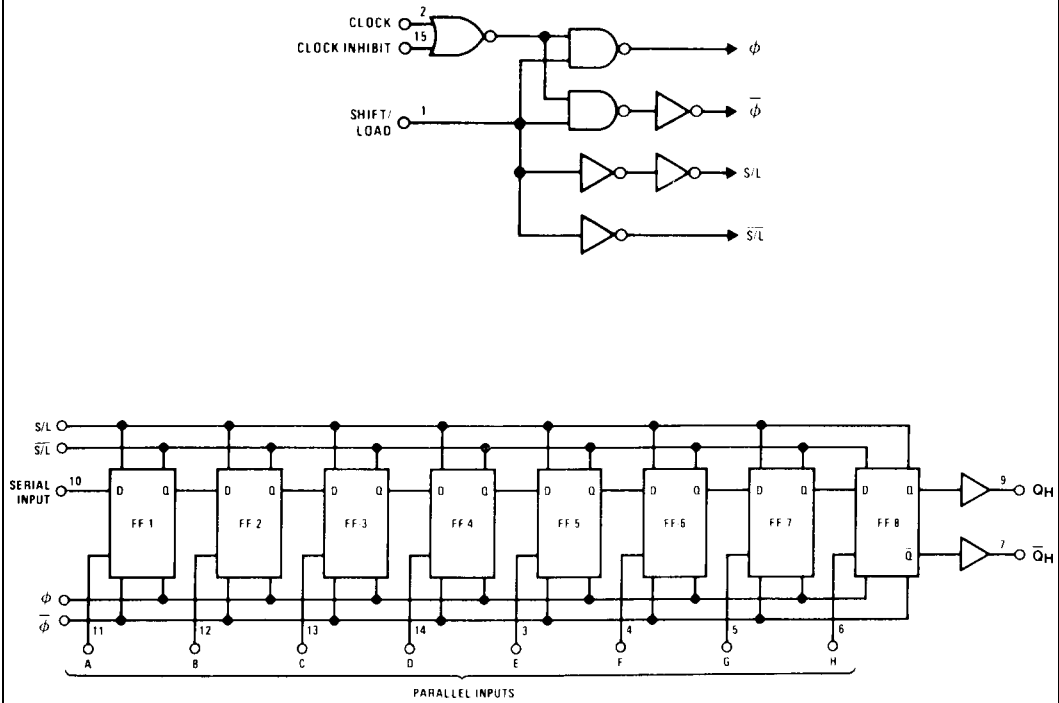
X = Irrelevant (any input, including transitions)

\uparrow = Transition from LOW-to-HIGH level

Q_{A0} , Q_{B0} , Q_{H0} = The level of Q_A , Q_B , or Q_H , respectively, before the indicated steady-state input conditions were established.

Q_{AN} , Q_{GN} = The level of Q_A or Q_G before the most recent \uparrow transition of the clock; indicates a one-bit shift.

Logic Diagrams



Absolute Maximum Ratings (Note 1)		Recommended Operating Conditions		Min	Max	Units		
Supply Voltage (V_{CC})	-0.5 to +7.0V	Supply Voltage (V_{CC})		2	6	V		
DC Input Voltage (V_{IN})	-1.5 to $V_{CC} + 1.5V$	DC Input or Output Voltage						
DC Output Voltage (V_{OUT})	-0.5 to $V_{CC} + 0.5V$	(V_{IN}, V_{OUT})		0	V_{CC}	V		
Clamp Diode Current (I_{IK}, I_{OK})	± 20 mA	Operating Temperature Range (T_A)		-40	+85	$^{\circ}C$		
DC Output Current, per pin (I_{OUT})	± 25 mA	Input Rise or Fall Times						
DC V_{CC} or GND Current, per pin (I_{CC})	± 50 mA	(t_r, t_f) $V_{CC} = 2.0V$			1000	ns		
Storage Temperature Range (T_{STG})	-65 $^{\circ}C$ to +150 $^{\circ}C$	$V_{CC} = 4.5V$			500	ns		
Power Dissipation (P_D)		$V_{CC} = 6.0V$			400	ns		
(Note 3)	600 mW							
S.O. Package only	500 mW	Note 1: Absolute Maximum Ratings are those values beyond which damage to the device may occur.						
Lead Temperature (T_L)		Note 2: Unless otherwise specified all voltages are referenced to ground.						
(Soldering 10 seconds)	260 $^{\circ}C$	Note 3: Power Dissipation temperature derating — plastic "N" package: -12 mW/ $^{\circ}C$ from 65 $^{\circ}C$ to 85 $^{\circ}C$.						
DC Electrical Characteristics (Note 4)								
Symbol	Parameter	Conditions	V_{CC}	$T_A = 25^{\circ}C$			Units	
				Typ	Guaranteed Limits			
V_{IH}	Minimum HIGH Level Input Voltage		2.0V		1.5	1.5	1.5	V
			4.5V		3.15	3.15	3.15	V
			6.0V		4.2	4.2	4.2	V
V_{IL}	Maximum LOW Level Input Voltage		2.0V		0.5	0.5	0.5	V
			4.5V		1.35	1.35	1.35	V
			6.0V		1.8	1.8	1.8	V
V_{OH}	Minimum HIGH Level Output Voltage	$V_{IN} = V_{IH}$ or V_{IL} $ I_{OUT} \leq 20 \mu A$	2.0V	2.0	1.9	1.9	1.9	V
			4.5V	4.5	4.4	4.4	4.4	V
			6.0V	6.0	5.9	5.9	5.9	V
		$V_{IN} = V_{IH}$ or V_{IL} $ I_{OUT} \leq 4.0$ mA $ I_{OUT} \leq 5.2$ mA	4.5V	4.2	3.98	3.84	3.7	V
			6.0V	5.7	5.48	5.34	5.2	V
V_{OL}	Maximum LOW Level Output Voltage	$V_{IN} = V_{IH}$ or V_{IL} $ I_{OUT} \leq 20 \mu A$	2.0V	0	0.1	0.1	0.1	V
			4.5V	0	0.1	0.1	0.1	V
			6.0V	0	0.1	0.1	0.1	V
		$V_{IN} = V_{IH}$ or V_{IL} $ I_{OUT} \leq 4.0$ mA $ I_{OUT} \leq 5.2$ mA	4.5V	0.2	0.26	0.33	0.4	V
			6.0V	0.2	0.26	0.33	0.4	V
I_{IN}	Maximum Input Current	$V_{IN} = V_{CC}$ or GND $V_{CC} = 2-6V$	6.0V		± 0.1	± 1.0	± 1.0	μA
I_{CC}	Maximum Quiescent Supply Current	$V_{IN} = V_{CC}$ or GND $I_{OUT} = 0 \mu A$ $V_{CC} = 2-6V$	6.0V		8.0	80	160	μA
Note 4: For a power supply of 5V $\pm 10\%$ the worst case output voltages (V_{OH} , and V_{OL}) occur for HC at 4.5V. Thus the 4.5V values should be used when designing with this supply. Worst case V_{IH} and V_{IL} occur at $V_{CC} = 5.5V$ and 4.5V respectively. (The V_{IH} value at 5.5V is 3.85V.) The worst case leakage current (I_{IN} , I_{CC} , and I_{OZ}) occur for CMOS at the higher voltage and so the 6.0V values should be used.								

AC Electrical Characteristics

$V_{CC} = 5V$, $T_A = 25^\circ C$, $C_L = 15$ pF, $t_r = t_f = 6$ ns

Symbol	Parameter	Conditions	Typ	Guaranteed Limit	Units
f_{MAX}	Maximum Operating Frequency		50	30	MHz
t_{PHL} , t_{PLH}	Maximum Propagation Delay H to Q_H or \bar{Q}_H		15	25	ns
t_{PHL} , t_{PLH}	Maximum Propagation Delay Serial Shift/Parallel Load to Q_H		13	25	ns
t_{PHL} , t_{PLH}	Maximum Propagation Delay Clock to Output		15	25	ns
t_S	Minimum Setup Time Serial Input to Clock, Parallel or Data to Shift/Load		10	20	ns
t_S	Minimum Setup Time Shift/Load to Clock		11	20	ns
t_S	Minimum Setup Time Clock Inhibit to Clock		10	20	ns
t_H	Minimum Hold Time Serial Input to Clock or Parallel Data to Shift/Load			0	ns
t_W	Minimum Pulse Width Clock			16	ns

AC Electrical Characteristics

$C_L = 50$ pF, $t_r = t_f = 6$ ns (unless otherwise specified)

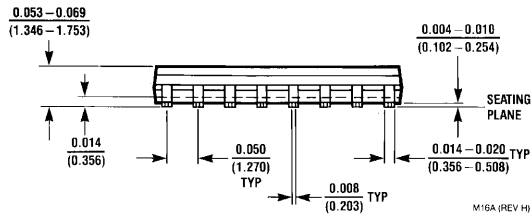
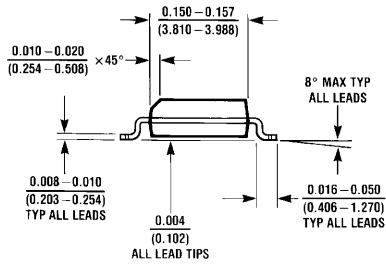
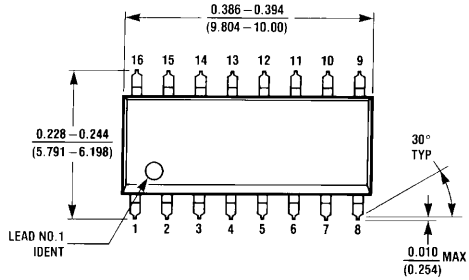
Symbol	Parameter	Conditions	V_{CC}	$T_A = 25^\circ C$		$T_A = -40$ to $85^\circ C$	$T_A = -55$ to $125^\circ C$	Units
				Typ	Guaranteed Limits			
f_{MAX}	Maximum Operating Frequency		2.0V	10	5	4	4	MHz
			4.5V	45	27	21	18	MHz
			6.0V	50	32	25	21	MHz
t_{PHL} , t_{PLH}	Maximum Propagation Delay H to Q_H or \bar{Q}_H		2.0V	70	150	189	225	ns
			4.5V	21	30	38	45	ns
			6.0V	18	26	33	39	ns
t_{PHL} , t_{PLH}	Maximum Propagation Delay Serial Shift/Parallel Load to Q_H		2.0V	70	175	220	260	ns
			4.5V	21	35	44	52	ns
			6.0V	18	30	37	44	ns
t_{PHL} , t_{PLH}	Maximum Propagation Delay Clock to Output		2.0V	70	150	189	225	ns
			4.5V	21	30	38	45	ns
			6.0V	18	26	33	39	ns
t_S	Minimum Setup Time Serial Input to Clock, or Parallel Data to Shift/Load		2.0V	35	100	125	150	ns
			4.5V	11	20	25	30	ns
			6.0V	9	17	21	25	ns
t_S	Minimum Setup Time Shift/Load to Clock		2.0V	38	100	125	150	ns
			4.5V	12	20	25	30	ns
			6.0V	9	17	21	25	ns
t_S	Minimum Setup Time Clock Inhibit to Clock		2.0V	35	100	125	150	ns
			4.5V	11	20	25	30	ns
			6.0V	9	17	21	25	ns
t_H	Minimum Hold Time Serial Input to Clock or Parallel Data to Shift/Load		2.0V		0	0	0	ns
			4.5V		0	0	0	ns
			6.0V		0	0	0	ns
t_W	Minimum Pulse Width, Clock		2.0V	30	80	100	120	ns
			4.5V	9	16	20	24	ns
			6.0V	8	14	18	20	ns
t_{THL} , t_{TLH}	Maximum Output Rise and Fall Time		2.0V	30	75	95	110	ns
			4.5V	9	15	19	22	ns
			6.0V	8	13	16	19	ns
t_r , t_f	Maximum Input Rise and Fall Time		2.0V		1000	1000	1000	ns
			4.5V		500	500	500	ns
			6.0V		400	400	400	ns

AC Electrical Characteristics (Continued)

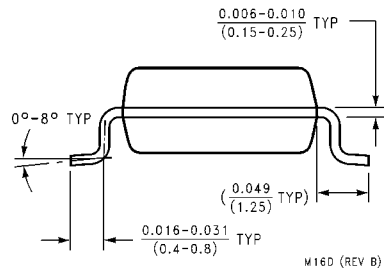
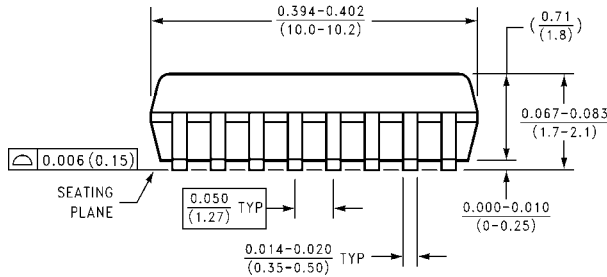
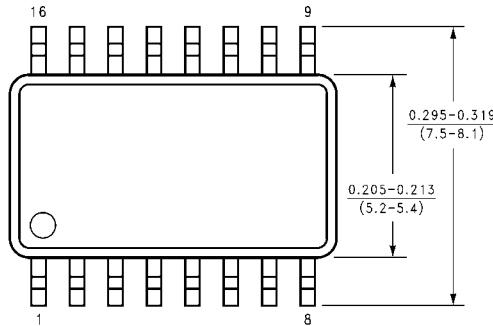
Symbol	Parameter	Conditions	V _{CC}	T _A = 25°C		T _A = -40 to 85°C	T _A = -55 to 125°C	Units
				Typ	Guaranteed Limits			
C _{PD}	Power Dissipation Capacitance (Note 5)	(per package)		100				pF
C _{IN}	Maximum Input Capacitance			5	10	10	10	pF

Note 5: C_{PD} determines the no load dynamic power consumption, $P_D = C_{PD} V_{CC}^2 f + I_{CC} V_{CC}$, and the no load dynamic current consumption, $I_S = C_{PD} V_{CC} f + I_{CC}$.

Physical Dimensions inches (millimeters) unless otherwise noted

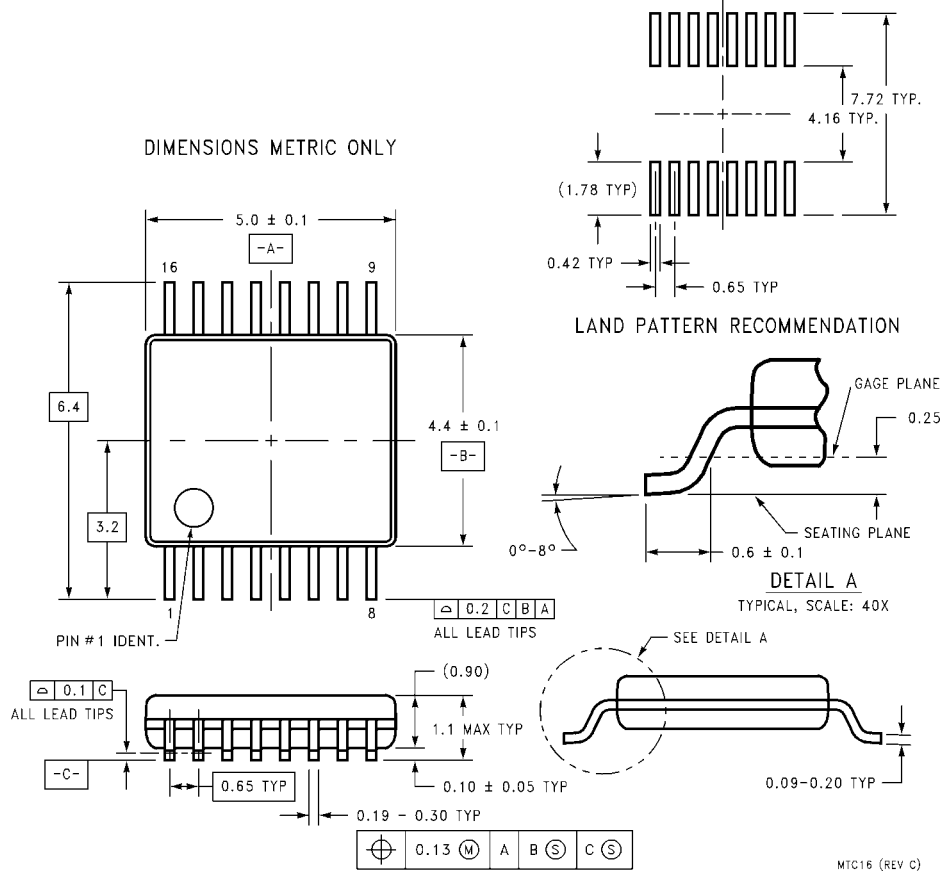


**16-Lead Small Outline Integrated Circuit (SOIC), JEDEC MS-012, 0.150" Narrow
Package Number M16A**



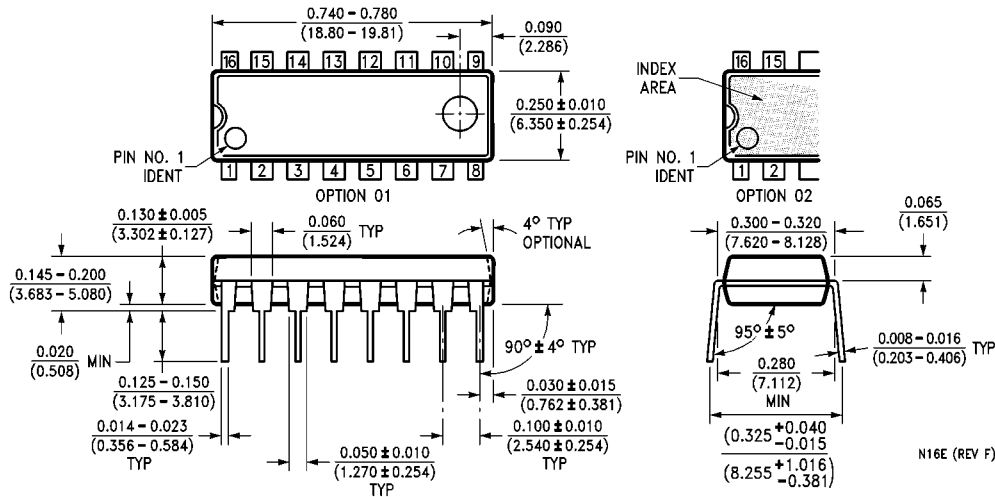
**16-Lead Small Outline Package (SOP), EIAJ TYPE II, 5.3mm Wide
Package Number M16D**

Physical Dimensions inches (millimeters) unless otherwise noted (Continued)



**16-Lead Thin Shrink Small Outline Package (TSSOP), JEDEC MO-153, 4.4mm Wide
Package Number MTC16**

Physical Dimensions inches (millimeters) unless otherwise noted (Continued)



16-Lead Plastic Dual-In-Line Package (PDIP), MS-001, 0.300" Wide Package N16E

LIFE SUPPORT POLICY

FAIRCHILD'S PRODUCTS ARE NOT AUTHORIZED FOR USE AS CRITICAL COMPONENTS IN LIFE SUPPORT DEVICES OR SYSTEMS WITHOUT THE EXPRESS WRITTEN APPROVAL OF THE PRESIDENT OF FAIRCHILD SEMICONDUCTOR CORPORATION. As used herein:

1. Life support devices or systems are devices or systems which, (a) are intended for surgical implant into the body, or (b) support or sustain life, and (c) whose failure to perform when properly used in accordance with instructions for use provided in the labeling, can be reasonably expected to result in a significant injury to the user.
2. A critical component in any component of a life support device or system whose failure to perform can be reasonably expected to cause the failure of the life support device or system, or to affect its safety or effectiveness.

www.fairchildsemi.com