



Chipsmall Limited consists of a professional team with an average of over 10 year of expertise in the distribution of electronic components. Based in Hongkong, we have already established firm and mutual-benefit business relationships with customers from,Europe,America and south Asia,supplying obsolete and hard-to-find components to meet their specific needs.

With the principle of “Quality Parts,Customers Priority,Honest Operation,and Considerate Service”,our business mainly focus on the distribution of electronic components. Line cards we deal with include Microchip,ALPS,ROHM,Xilinx,Pulse,ON,Everlight and Freescale. Main products comprise IC,Modules,Potentiometer,IC Socket,Relay,Connector.Our parts cover such applications as commercial,industrial, and automotives areas.

We are looking forward to setting up business relationship with you and hope to provide you with the best service and solution. Let us make a better world for our industry!



Contact us

Tel: +86-755-8981 8866 Fax: +86-755-8427 6832

Email & Skype: info@chipsmall.com Web: www.chipsmall.com

Address: A1208, Overseas Decoration Building, #122 Zhenhua RD., Futian, Shenzhen, China



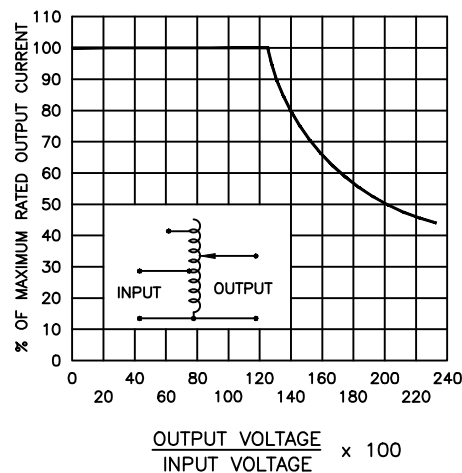
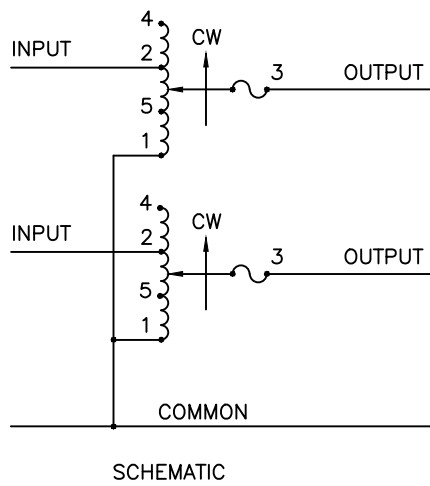
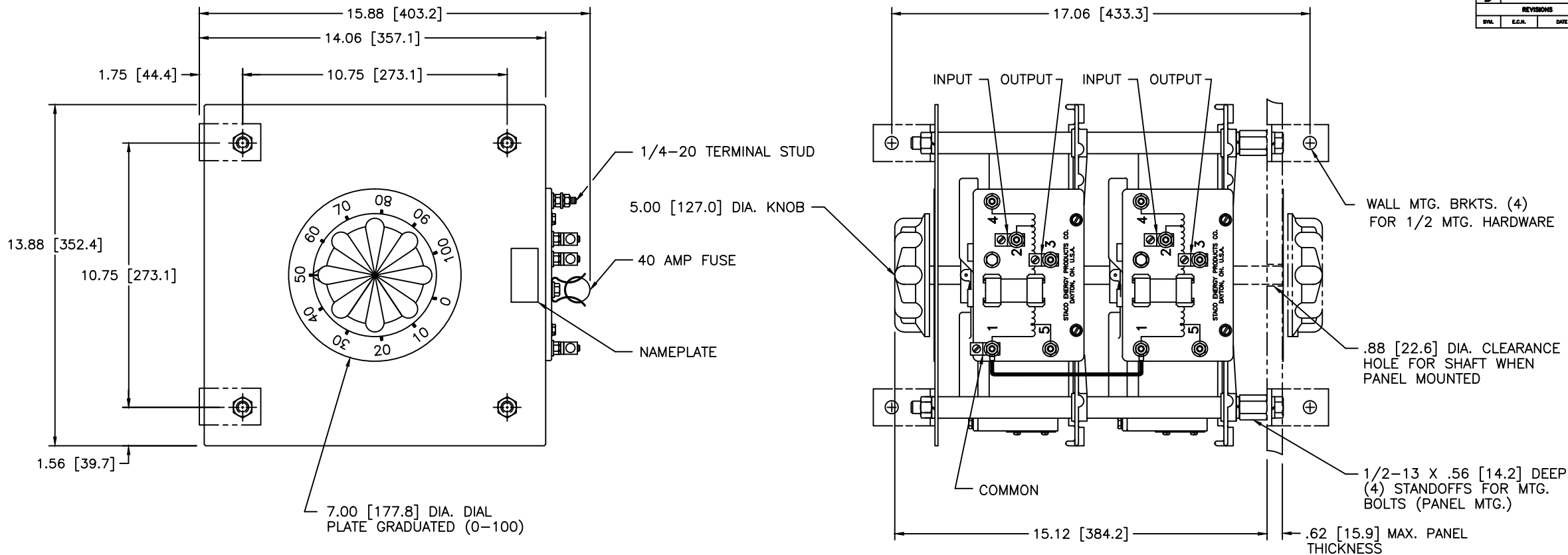


FIGURE A
 MAXIMUM OUTPUT CURRENT OF ANY DUAL INPUT VOLTAGE OR VOLTAGE DOUBLER UNIT OPERATED AT LOWER INPUT VOLTAGE.

MAXIMUM OUTPUT CURRENT IN OUTPUT VOLTAGE RANGE FROM 0 TO 25% ABOVE LINE VOLTAGE. AT HIGHER OUTPUT VOLTAGES, OUTPUT CURRENT MUST BE REDUCED ACCORDING TO RATING CURVE, FIGURE A.

‡ MAXIMUM KVA AT MAXIMUM OUTPUT AND CORRESPONDING DE-RATED CURRENT. MAXIMUM KVA AT LOWER OUTPUT VOLTAGES MAY BE CALCULATED FROM RATING CURVE, FIGURE A.

SPECIFICATIONS								
WIRING	INPUT		OUTPUT			SHAFT ROTATION FOR INCREASE VOLTAGE	TERMINAL CONNECTIONS FOR INCREASING VOLTAGE AS VIEWED FROM ROTOR END	
	VOLTS	HERTZ	VOLTS	MAX. AMPS	MAX. KVA		INPUT	OUTPUT
THREE PHASE OPEN DELTA	240	50/60	0-240	35	14.5	CW	4-1-4	3-1-3
			0-280	35	16.9	CW	2-1-2	3-1-3
	120	50/60	0-280	35-15# V.D.	7.3 ‡	CW	5-1-5	3-1-3

UNLESS OTHERWISE SPECIFIED, TOLERANCE IS: DECIMALS .005 HOLES .0015 ANGLES 1° DRAFT 1-1/2° DIMENSIONS APPLY AFTER FINISHING	UNLESS OTHERWISE SPECIFIED, TOLERANCE IS: DECIMALS .005 HOLES .0015 ANGLES 1° DRAFT 1-1/2° DIMENSIONS APPLY AFTER FINISHING	TITLE: SPEC. CONTROL DRAWING VARIABLE TRANSFORMER TYPE: 6020-2D	STACO ENERGY PRODUCTS CO. A DIVISION OF AMERICA ENERGY DAYTON, OHIO U.S.A.
DATE: 10/28/97 CHECKER: TIM RAU ENGINEER:	DATE: 10/28/97 CHECKER: ENGINEER:	FIRST USED ON: 10/28/97 SCALE: .5=1 SHEET 1 OF 1	DO NOT SCALE DWG. CODE IDENT. NO.: DWG. NO.: 032-8135 CUSTOMER APPROVAL: DATE: