



Chipsmall Limited consists of a professional team with an average of over 10 year of expertise in the distribution of electronic components. Based in Hongkong, we have already established firm and mutual-benefit business relationships with customers from,Europe,America and south Asia,supplying obsolete and hard-to-find components to meet their specific needs.

With the principle of "Quality Parts,Customers Priority,Honest Operation,and Considerate Service",our business mainly focus on the distribution of electronic components. Line cards we deal with include Microchip,ALPS,ROHM,Xilinx,Pulse,ON,Everlight and Freescale. Main products comprise IC,Modules,Potentiometer,IC Socket,Relay,Connector.Our parts cover such applications as commercial,industrial, and automotives areas.

We are looking forward to setting up business relationship with you and hope to provide you with the best service and solution. Let us make a better world for our industry!



## Contact us

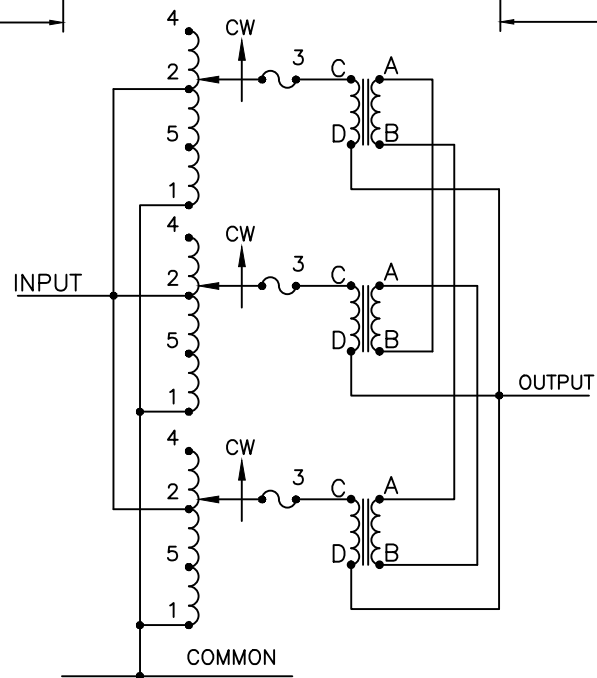
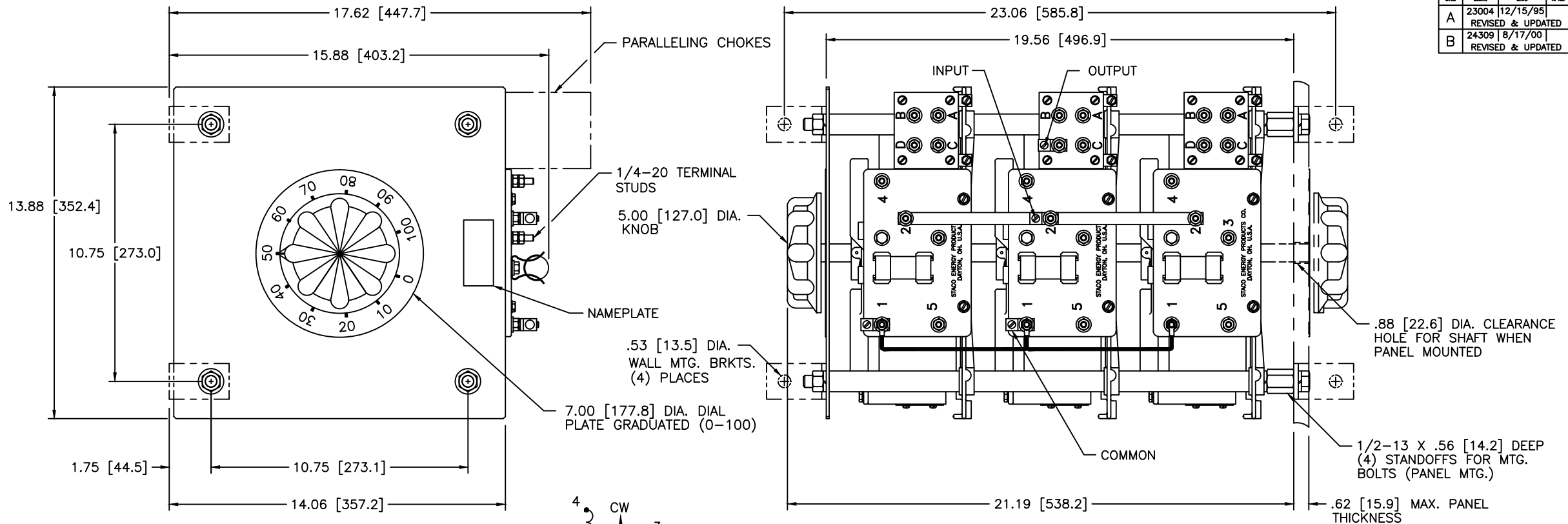
Tel: +86-755-8981 8866 Fax: +86-755-8427 6832

Email & Skype: info@chipsmall.com Web: www.chipsmall.com

Address: A1208, Overseas Decoration Building, #122 Zhenhua RD., Futian, Shenzhen, China



Dwg. No.		032-7931	
REVISIONS			
SYL.	E.C.N.	DATE	APVD.
A	23004	12/15/95	
REVISED & UPDATED			
B	24309	8/17/00	
REVISED & UPDATED			



WIRING	INPUT		OUTPUT			SHAFT ROTATION TO INCREASE VOLTAGE	TERMINAL CONNECTIONS		
	VOLTS	HERTZ	VOLTS	MAX. AMPS	MAX. KVA		FOR INCREASING VOLTAGE AS VIEWED FROM ROTOR END		
							INPUT	JUMPER	OUTPUT
SINGLE PHASE	240	50/60	0-240	105	25.2	CW	1-4	---	1-D
			0-280	105	29.4	CW	1-2	---	1-D
PARALLEL	120	50/60	0-280	105-45	12.6	CW	1-5	---	1-D

UNLESS OTHERWISE SPECIFIED, TOLERANCE IS: DECIMALS: .005 ANGLES: 1° DRAFT: 1-1/2°	UNITS: IN [mm]	TITLE: SPEC. CONTROL DWG. VARIABLE TRANSFORMER TYPE: 6020-3P	
MATERIAL:	ALL DIMENSIONS APPLY UNLESS NOTED	DRAWN BY: K. TOLLIVER CHECKER: DATE: 1/30/92 ENGINEER: DATE:	
The information and design disclosed herein was originated by and is the property of STACO ENERGY PRODUCTS CO., which reserves all patent, proprietary, design, manufacturing, reproduction, use and sale rights therein, and to any articles disclosed therein, except to the extent rights are expressly granted to others. The foregoing does not apply to vendor proprietary parts.		FIRST USED ON: 246 LBS. SCALE: .5=1 SHEET 1 of 1	CUSTOMER APPROVAL: DATE: Dwg. No. 032-7931