



Chipsmall Limited consists of a professional team with an average of over 10 year of expertise in the distribution of electronic components. Based in Hongkong, we have already established firm and mutual-benefit business relationships with customers from,Europe,America and south Asia,supplying obsolete and hard-to-find components to meet their specific needs.

With the principle of "Quality Parts,Customers Priority,Honest Operation,and Considerate Service",our business mainly focus on the distribution of electronic components. Line cards we deal with include Microchip,ALPS,ROHM,Xilinx,Pulse,ON,Everlight and Freescale. Main products comprise IC,Modules,Potentiometer,IC Socket,Relay,Connector.Our parts cover such applications as commercial,industrial, and automotives areas.

We are looking forward to setting up business relationship with you and hope to provide you with the best service and solution. Let us make a better world for our industry!



Contact us

Tel: +86-755-8981 8866 Fax: +86-755-8427 6832

Email & Skype: info@chipsmall.com Web: www.chipsmall.com

Address: A1208, Overseas Decoration Building, #122 Zhenhua RD., Futian, Shenzhen, China



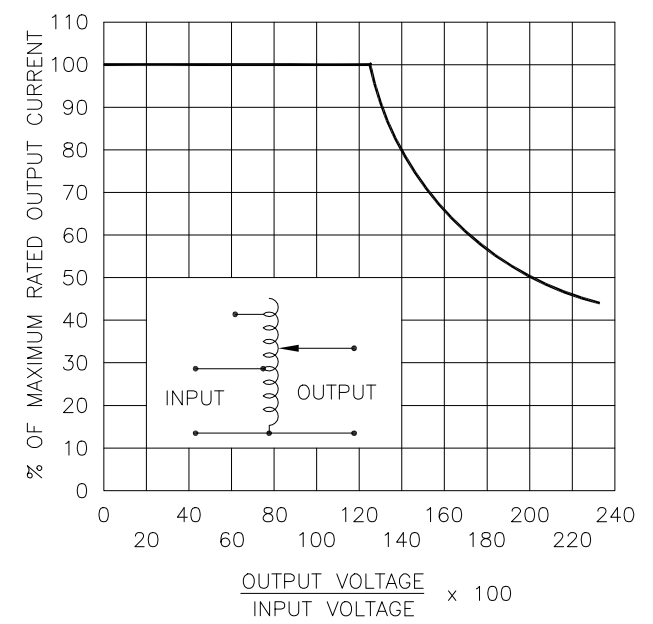
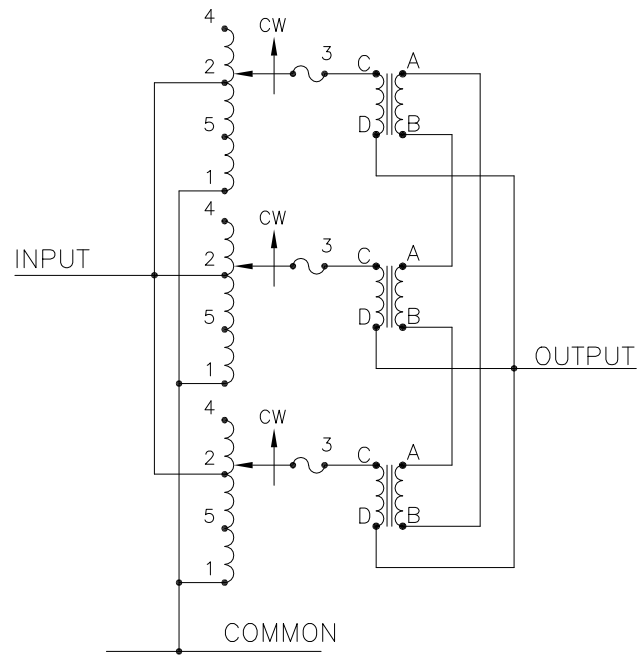
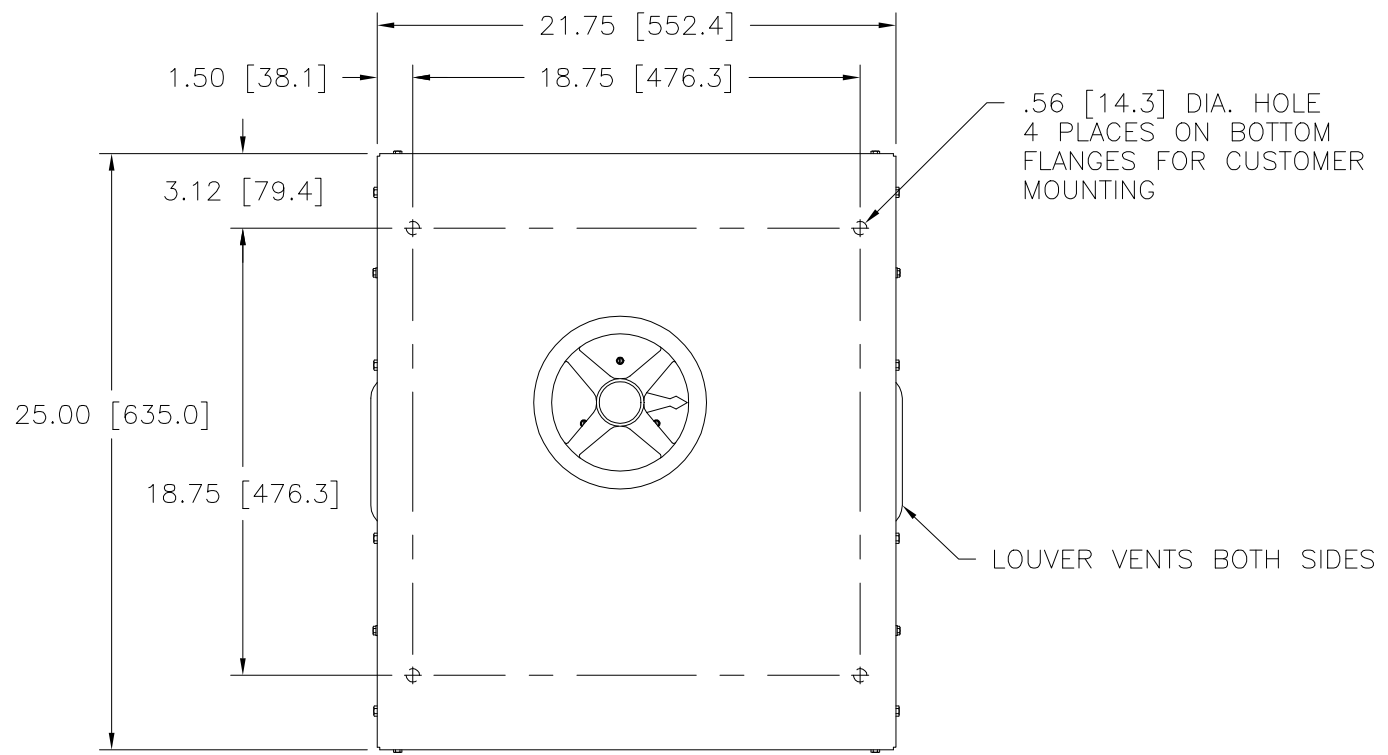
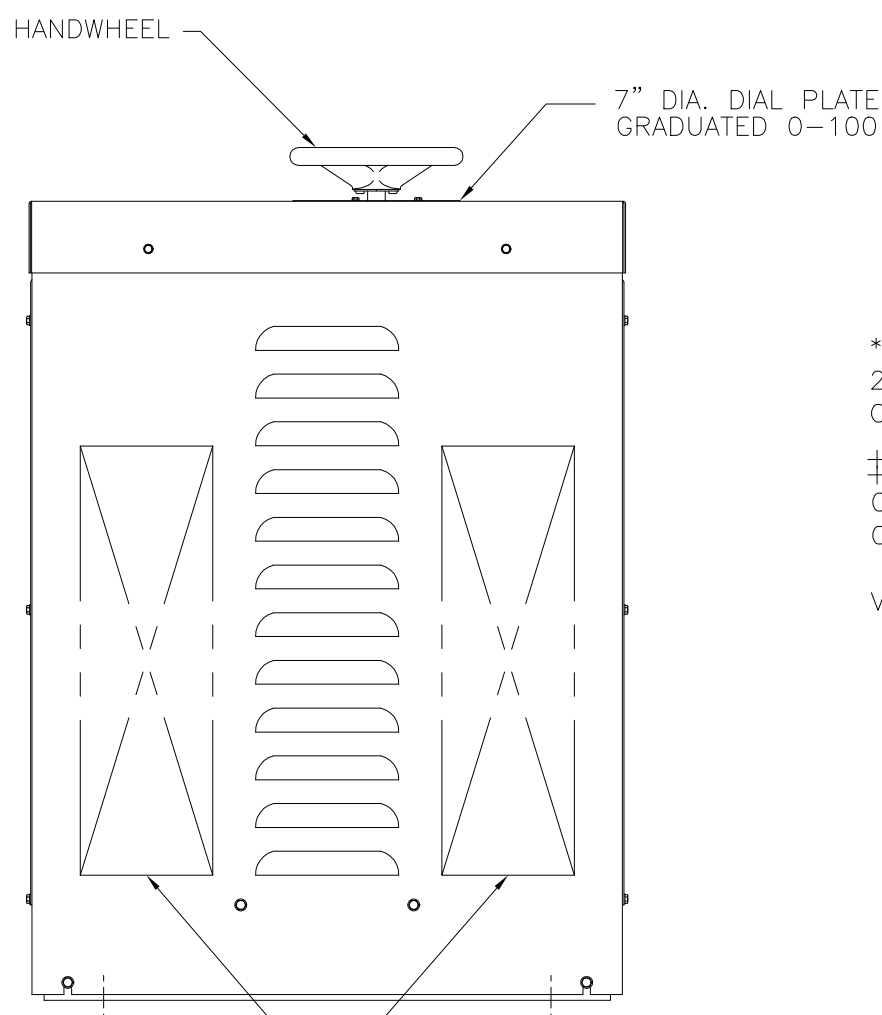
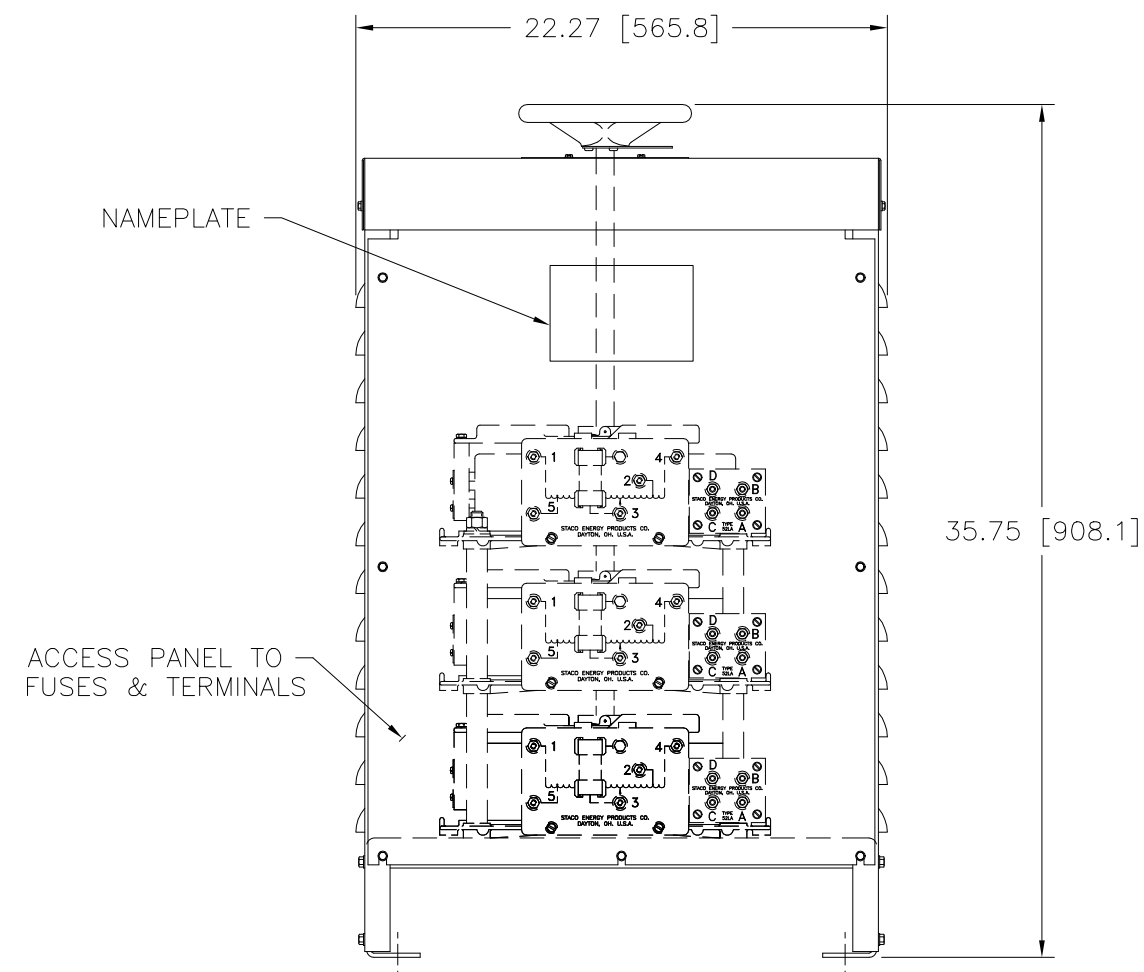


FIGURE A
 MAXIMUM OUTPUT CURRENT OF ANY
 DUAL INPUT VOLTAGE OR VOLTAGE DOUBLER
 UNIT OPERATED AT LOWER INPUT VOLTAGE.

* MAXIMUM OUTPUT CURRENT IN OUTPUT VOLTAGE RANGE FROM 0 TO 25% ABOVE LINE VOLTAGE. AT HIGHER OUTPUT VOLTAGES, OUTPUT CURRENT MUST BE REDUCED ACCORDING TO RATING CURVE, FIGURE A.

‡ MAXIMUM KVA AT MAXIMUM OUTPUT AND CORRESPONDING DE-RATED CURRENT. MAXIMUM KVA AT LOWER OUTPUT VOLTAGES MAY BE CALCULATED FROM RATING CURVE FIGURE A.

V.D. = VOLTAGE DOUBLER.



RECOMMENDED AREAS
 FOR CONDUIT ENTRY.

WIRING	INPUT		OUTPUT			SHAFT ROTATION FOR VOLTAGE INCREASE	TERMINAL CONNECTIONS FOR INCREASING VOLTAGE AS VIEWED FROM TOP	
	VOLTS	HERTZ	VOLTS	CONSTANT CURRENT LOAD			INPUT	OUTPUT
				MAX. AMPS	MAX. KVA			
SINGLE PHASE PARALLEL	240	50/60	0-240	105	25.2	CW	1-4	1-D
			0-280	105	29.4	CW	1-2	1-D
	120	50/60	0-280	105-45 V.D.	12.6 ‡	CW	1-5	1-D

UNLESS OTHERWISE SPECIFIED, TOLERANCE IS #		UNITS		TITLE		
DECIMALS	Holes	ANGLES	DRAFT	IN [mm]		
.XX	.125	.03	1°	1-1/2*		
MATERIAL:		ALL DIMENSIONS APPLY AFTER PLATING		SPECIFICATION CONTROL DRAWING		
				VARIABLE TRANSFORMER		
				6020E-3P		
DRAWN BY		DATE	FIRST USED ON	DO NOT SCALE DWG.	CUSTOMER APPROVAL	DATE
TIM RAU		12/29/95				
CHECKER		DATE	WEIGHT APPROX.	CODE IDENT. NO.	DWG. NO.	
				83008	032-7455	
ENGINEER		DATE	SCALE	SHEET 1 OF 1	DWG. NO.	
			.25=1		032-7455	

