



Chipsmall Limited consists of a professional team with an average of over 10 year of expertise in the distribution of electronic components. Based in Hongkong, we have already established firm and mutual-benefit business relationships with customers from,Europe,America and south Asia,supplying obsolete and hard-to-find components to meet their specific needs.

With the principle of “Quality Parts,Customers Priority,Honest Operation,and Considerate Service”,our business mainly focus on the distribution of electronic components. Line cards we deal with include Microchip,ALPS,ROHM,Xilinx,Pulse,ON,Everlight and Freescale. Main products comprise IC,Modules,Potentiometer,IC Socket,Relay,Connector.Our parts cover such applications as commercial,industrial, and automotives areas.

We are looking forward to setting up business relationship with you and hope to provide you with the best service and solution. Let us make a better world for our industry!



## Contact us

Tel: +86-755-8981 8866 Fax: +86-755-8427 6832

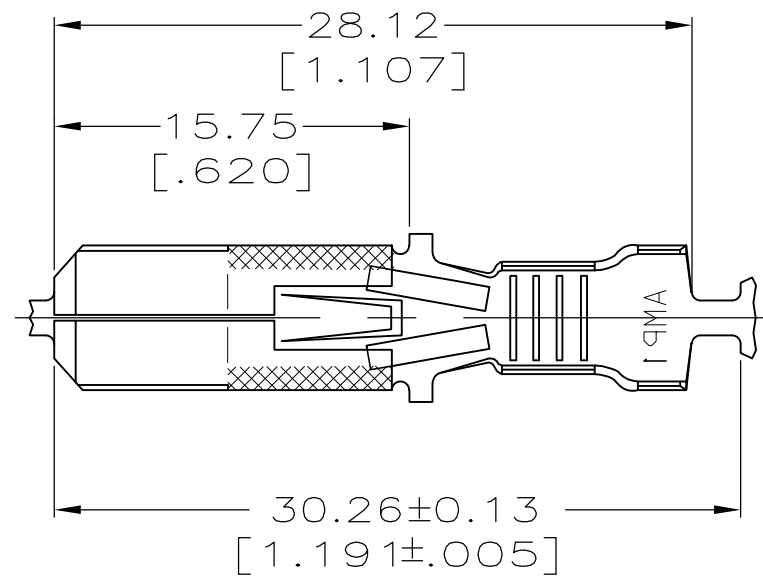
Email & Skype: info@chipsmall.com Web: www.chipsmall.com

Address: A1208, Overseas Decoration Building, #122 Zhenhua RD., Futian, Shenzhen, China

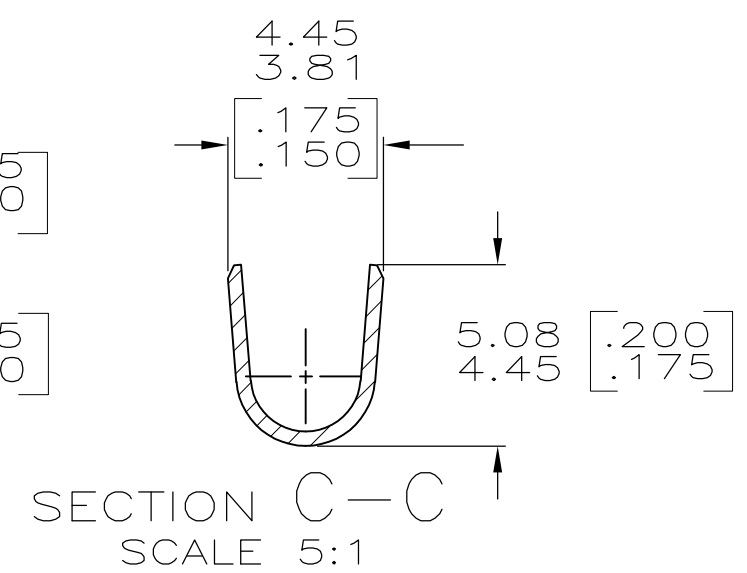
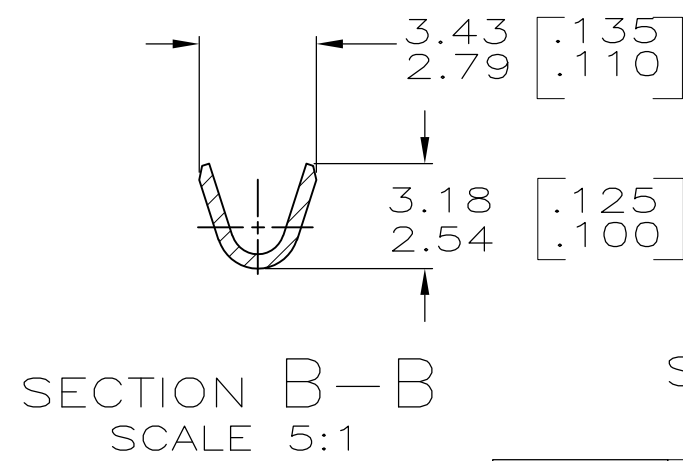
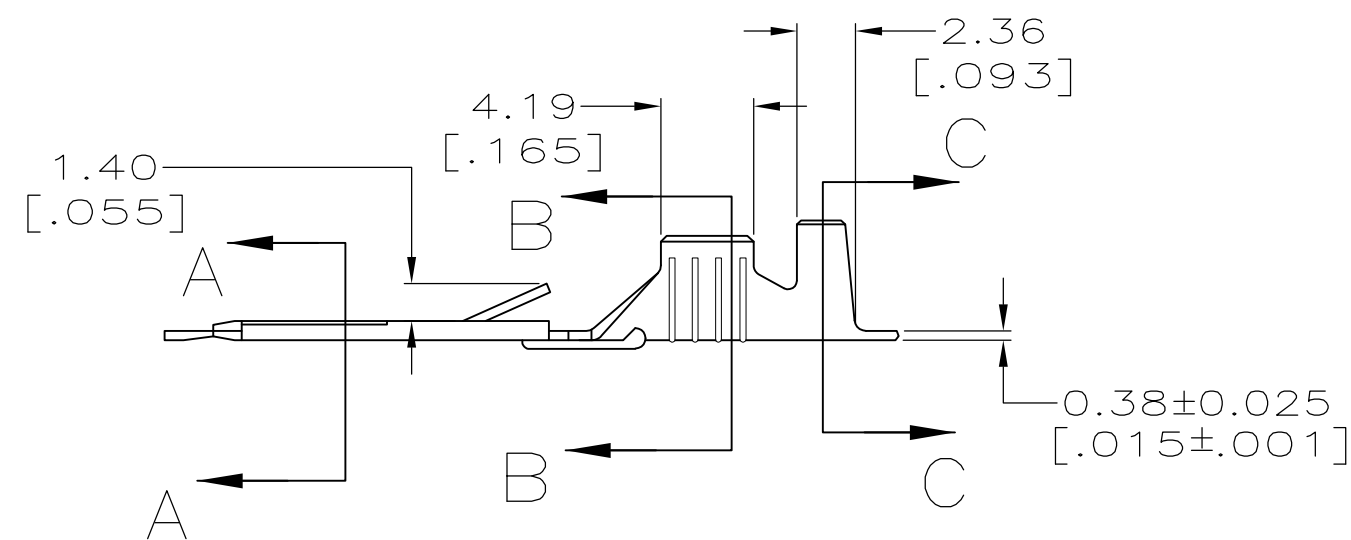
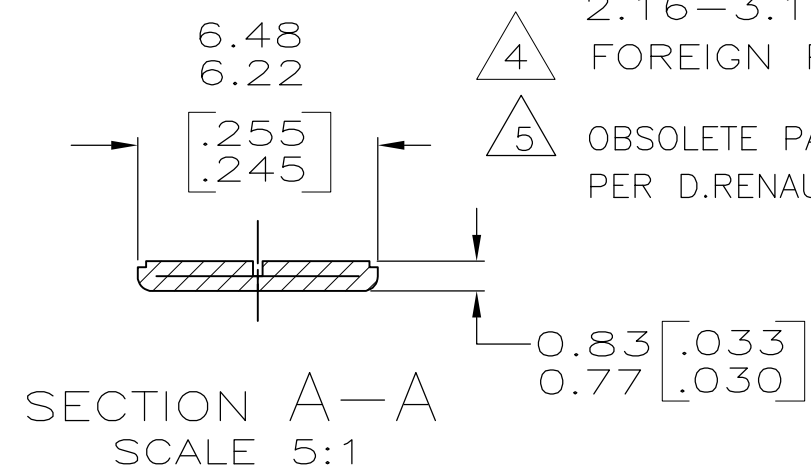


THIS DRAWING IS UNPUBLISHED. RELEASED FOR PUBLICATION  
 © COPYRIGHT BY TYCO ELECTRONICS CORPORATION. ALL RIGHTS RESERVED.

LOC	DIST	REVISIONS			
P	LTR	DESCRIPTION	DATE	DWN	APVD
AF	50	R	REV PER ECR 05-017609	27MAR06	JR KR
		R1	REVISED PER ECO-09-021826	21AUG09	KK AEG



- CONTINUOUS STRIP ON REELS.
- WIRE SIZE TO BE [#22-#18] AWG.
- INSULATION RANGE TO BE 2.16-3.18 [.085-.125] DIA.
- FOREIGN PRODUCTION ONLY.
- OBSOLETE PARTS: OBSOLETE CIS STREAMLINING PER D.RENAUD/D.SINISI



OBSOLETE	TIN	-60294-9	4
	PRE-TIN	-60294-4	4
	TIN	60294-2	
	-	60294-1	
	FINISH	PART NO.	

TYPE	WIDTH	STRIP LENGTH	TYPE	WIDTH	HEIGHT	WIRE
F	3.56 [.140]	5.59 [.220]	F	2.29 [.090]	1.30 [.051]	#18
					1.19 [.047]	#20
					1.14 [.045]	#22
INSUL BARREL CRIMP		±0.38 ±[.015]	WIRE BARREL CRIMP		±0.051 [.002]	

THIS DRAWING IS A CONTROLLED DOCUMENT.

DIMENSIONS: mm	TOLERANCES UNLESS OTHERWISE SPECIFIED:	DWN JR RUTH 5/1/96	Tyco Electronics Corporation Harrisburg, Pa 17105-3608
	0 PLC ± - 1 PLC ± - 2 PLC ± 0.38 [.015] 3 PLC ± - 4 PLC ± - ANGLES ± -	CHK MS FEHER 5/1/96	
MATERIAL 082 BRASS	FINISH SEE TABLE	APVD J GILLESPIE 5/1/96	NAME
		PRODUCT SPEC -	TAB, FASTIN-FASTON, 6.35 [.250] SERIES
		APPLICATION SPEC 114-2025	SIZE A3
		WEIGHT -	CAGE CODE 00779
		CUSTOMER DRAWING	DRAWING NO G-60294
			RESTRICTED TO -
			SCALE 5:1
			SHEET 1 OF 1
			REV R1