



Chipsmall Limited consists of a professional team with an average of over 10 year of expertise in the distribution of electronic components. Based in Hongkong, we have already established firm and mutual-benefit business relationships with customers from,Europe,America and south Asia,supplying obsolete and hard-to-find components to meet their specific needs.

With the principle of “Quality Parts,Customers Priority,Honest Operation,and Considerate Service”,our business mainly focus on the distribution of electronic components. Line cards we deal with include Microchip,ALPS,ROHM,Xilinx,Pulse,ON,Everlight and Freescale. Main products comprise IC,Modules,Potentiometer,IC Socket,Relay,Connector.Our parts cover such applications as commercial,industrial, and automotives areas.

We are looking forward to setting up business relationship with you and hope to provide you with the best service and solution. Let us make a better world for our industry!



Contact us

Tel: +86-755-8981 8866 Fax: +86-755-8427 6832

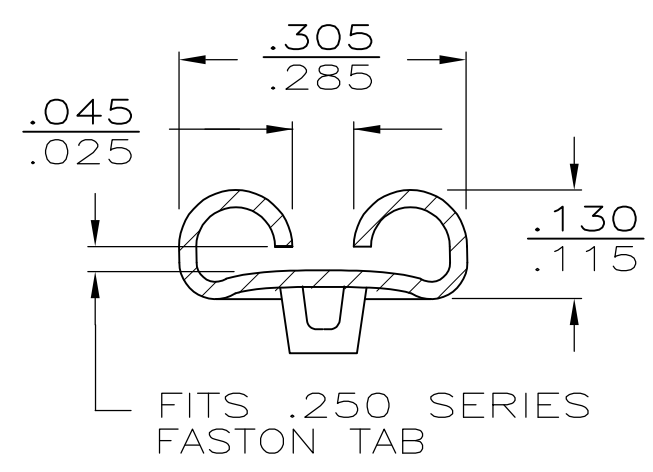
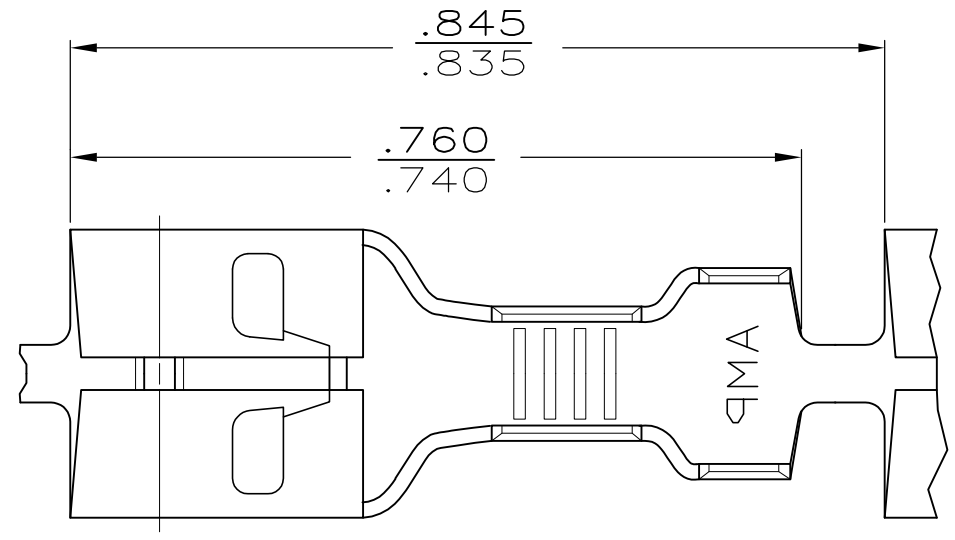
Email & Skype: info@chipsmall.com Web: www.chipsmall.com

Address: A1208, Overseas Decoration Building, #122 Zhenhua RD., Futian, Shenzhen, China



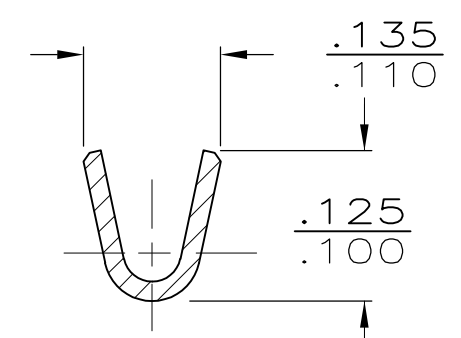
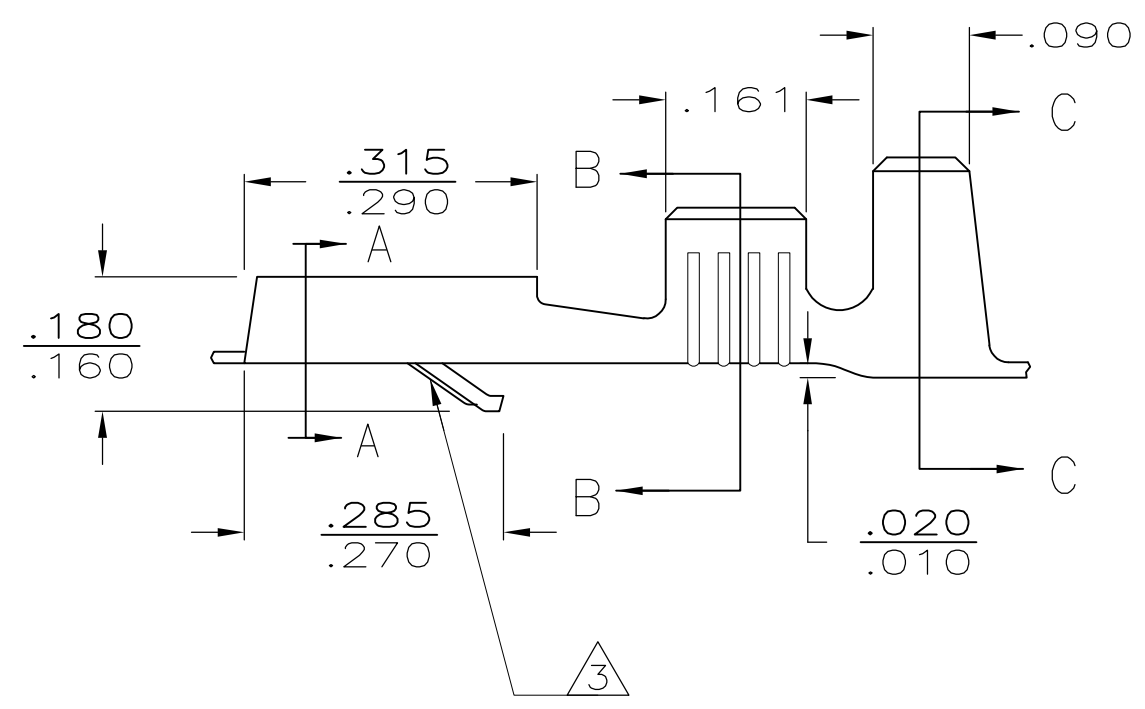
THIS DRAWING IS UNPUBLISHED. RELEASED FOR PUBLICATION
 © COPYRIGHT - By - ALL RIGHTS RESERVED.

LOC	DIST	REVISIONS					
AF	50	P	LTR	DESCRIPTION	DATE	DWN	APVD
				REVISED PER ECO-11-004820	11MAR11	RK	HMR

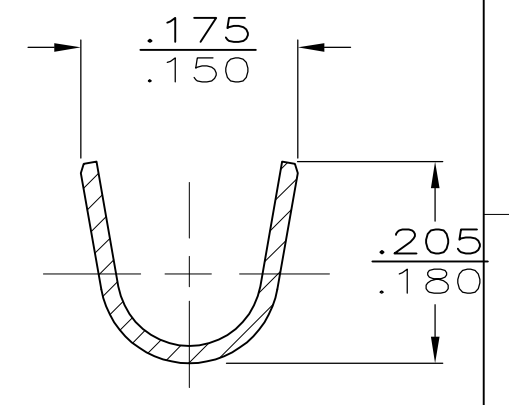


SECTION A-A

- 1 - CONTINUOUS STRIP ON REELS.
- △2 - FOREIGN PRODUCTION ONLY
- △3 - LANCE IN 1-60295-2 ONLY.
- △4 - INTERLEAVING PAPER
- △5 - PRELIMINARY - NOT FOR PRODUCTION



SECTION B-B



SECTION C-C

OBSOLETE	△4	TIN	.085-.125	22-18	.032 ±.001	△5	60295-4
	△3	TIN	.085-.125	22-18	.032 ±.001	△2	1-60295-2
	OBSOLETE	NICKEL	.085-.125	22-18	.032 ±.001		60295-3
		TIN	.085-.125	22-18	.032 ±.001		60295-2
		-	.085-.125	22-18	.032 ±.001		60295-1
		FINISH	INSULATION RANGE	WIRE SIZE	TAB THK		PART NO

THIS DRAWING IS A CONTROLLED DOCUMENT.		DWN	JR RUTH	4/28/86	TE Connectivity .250 SERIES FASTIN - FASTON RECEPTACLE			
DIMENSIONS: INCHES		CHK	G YETTER	4/28/86				
		APVD	R KUZO	4/28/86				
TOLERANCES UNLESS OTHERWISE SPECIFIED:		PRODUCT SPEC						
0 PLC ± - 1 PLC ± - 2 PLC ± - 3 PLC ± .015 4 PLC ± - ANGLES ± -		APPLICATION SPEC			NAME			
MATERIAL		WEIGHT			SIZE	CAGE CODE	DRAWING NO	RESTRICTED TO
.012 BRASS		SEE ABOVE			A300779 C-60295			-
CUSTOMER DRAWING					SCALE	1:1	SHEET	1 OF 1
					REV AH1			