



Chipsmall Limited consists of a professional team with an average of over 10 year of expertise in the distribution of electronic components. Based in Hongkong, we have already established firm and mutual-benefit business relationships with customers from,Europe,America and south Asia,supplying obsolete and hard-to-find components to meet their specific needs.

With the principle of “Quality Parts,Customers Priority,Honest Operation,and Considerate Service”,our business mainly focus on the distribution of electronic components. Line cards we deal with include Microchip,ALPS,ROHM,Xilinx,Pulse,ON,Everlight and Freescale. Main products comprise IC,Modules,Potentiometer,IC Socket,Relay,Connector.Our parts cover such applications as commercial,industrial, and automotives areas.

We are looking forward to setting up business relationship with you and hope to provide you with the best service and solution. Let us make a better world for our industry!



Contact us

Tel: +86-755-8981 8866 Fax: +86-755-8427 6832

Email & Skype: info@chipsmall.com Web: www.chipsmall.com

Address: A1208, Overseas Decoration Building, #122 Zhenhua RD., Futian, Shenzhen, China



FOX PART NUMBER: 603-25-150

Ceramic, Seam-Sealed, SMD, Crystal



Model: FX325BS Series

RoHS / REACH Compliant / Pb Free

Rev. 10/9/2014

Page 1 of 1

http://www.foxonline.com/need_a_sample.htm

Need a
Sample®

For Use with IDT Part Numbers:

6V49205B	9FGU0641	9FGV0441	IDT6P41302	5P49V5923A
9FGU0231	9FGU0831	9FGV0631	IDT6P41322	5P49V5925A
9FGU0241	9FGU0841	9FGV0641	IDT6V49205A	5P49V5927A
9FGU0431	9FGV0231	9FGV0831	5P49V5901A	5P49V5929A
9FGU0441	9FGV0241	9FGV0841	5P49V5913A	
9FGU0631	9FGV0431	IDT5U49319	5P49V5914A	

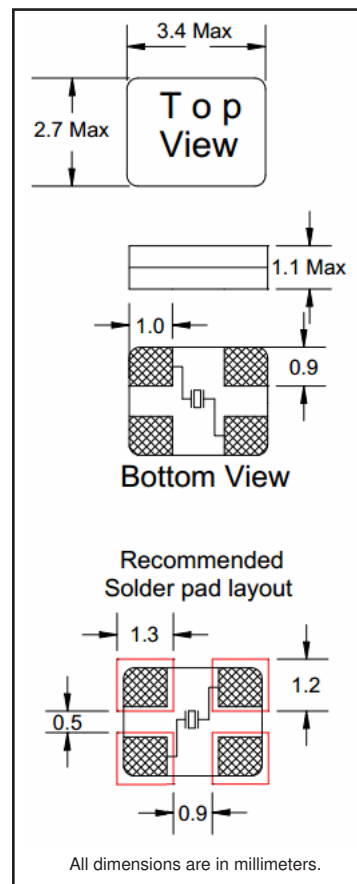
• FOX PART NUMBER: 603-25-150

Part Number	Model Number	Frequency
603-25-150	FX325BS	25.000 MHz

• STANDARD SPECIFICATIONS

PARAMETERS	MAX (unless otherwise noted)
Frequency	25.000 MHz
Resonance Mode	Fundamental
Frequency Tolerance @ 25°C	±20 PPM
Frequency Stability, ref @ 25°C Over Operating Temp Range	±20 PPM
Temperature Range	
Operating (TOPR)	0°C ~ +70°C
Storage (TSTG)	-40°C ~ +85°C
Equivalent Series Resistance (ESR)	50 Ohms
Shunt Capacitance (Co)	7 pF
Load Capacitance (CL)	8 pF
Drive Level	0.3 mW
Aging per year	±5 PPM
Maximum Soldering Temp / Time	260°C / 10 Seconds
Moisture Sensitivity Level (MSL)	1
Termination Finish	Au
Weight (TYP)	16.75 mg

Note: Dimensional drawing is for reference to critical specifications defined by size measurements. Certain non-critical visual attributes, such as side castellations, etc. may vary. The above specifications, having been carefully prepared and checked, is believed to be accurate at the time of publication; however, no responsibility is assumed by Fox Electronics for inaccuracies. All specifications subject to change without notice.



• TAPE SPECIFICATIONS (millimeters)

MODEL	A	B	C	D	E	F	STD Reel QTY
FX325BS	∅1.5	4.0	4.0	3.5	8.0	1.3	3,000

• REEL SPECIFICATIONS (millimeters)

MODEL	G	H	I	J	K	L	M
FX325BS	2.0	∅13	∅21	∅80	∅180	9.0	2.0

