



Chipsmall Limited consists of a professional team with an average of over 10 year of expertise in the distribution of electronic components. Based in Hongkong, we have already established firm and mutual-benefit business relationships with customers from,Europe,America and south Asia,supplying obsolete and hard-to-find components to meet their specific needs.

With the principle of “Quality Parts,Customers Priority,Honest Operation,and Considerate Service”,our business mainly focus on the distribution of electronic components. Line cards we deal with include Microchip,ALPS,ROHM,Xilinx,Pulse,ON,Everlight and Freescale. Main products comprise IC,Modules,Potentiometer,IC Socket,Relay,Connector.Our parts cover such applications as commercial,industrial, and automotives areas.

We are looking forward to setting up business relationship with you and hope to provide you with the best service and solution. Let us make a better world for our industry!



Contact us

Tel: +86-755-8981 8866 Fax: +86-755-8427 6832

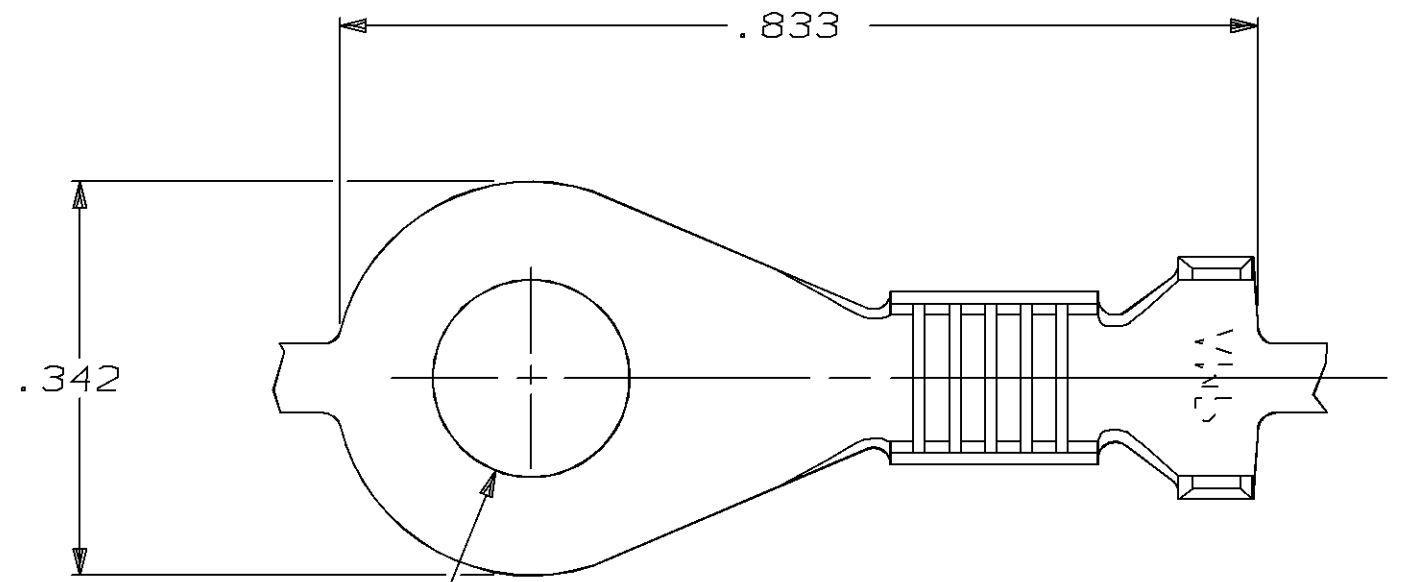
Email & Skype: info@chipsmall.com Web: www.chipsmall.com

Address: A1208, Overseas Decoration Building, #122 Zhenhua RD., Futian, Shenzhen, China

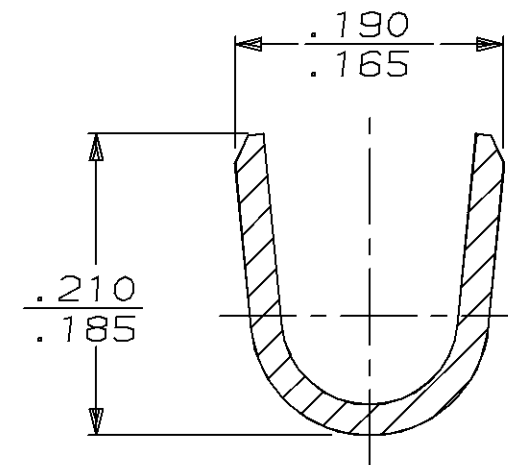
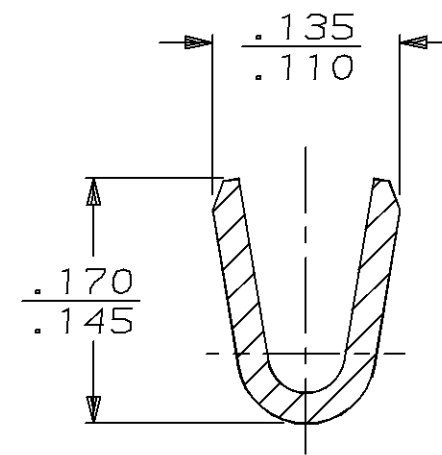
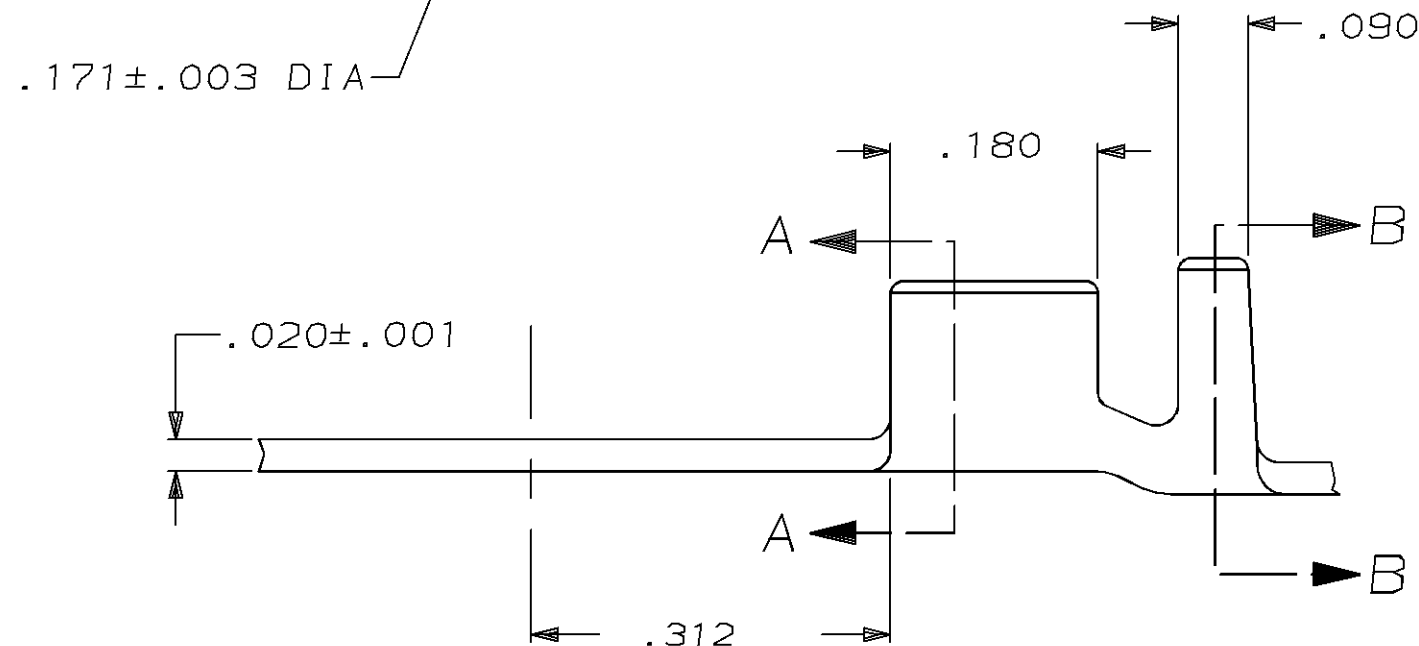


THIS DRAWING IS UNPUBLISHED. RELEASED FOR PUBLICATION, 19
 © COPYRIGHT 19 BY AMP INCORPORATED, HARRISBURG, PA. ALL INTERNATIONAL RIGHTS RESERVED. AMP PRODUCTS MAY BE COVERED BY U.S. AND FOREIGN PATENTS AND/OR PATENTS PENDING.

LOC	DIST	P	F	ZONE	LTR	DESCRIPTION	DATE	APPROVED
AF	50				J	OBSOLETE -3 PER 0710-0273-96	15/JUL/96	PF/GY



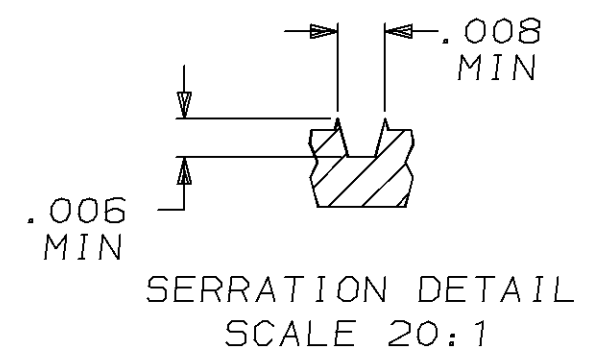
△ 1 TIN PL .000200 MIN PER MIL-T-10727 OVER
 COPPER PL .000100 MIN PER MIL-C-14550



SECTION A-A
SCALE 8:1

SECTION B-B
SCALE 8:1

OBSOLETE	△	.100-.140	18-14	60320-3
	TIN PL	.100-.140	18-14	60320-2
	—	.100-.140	18-14	60320-1



UNLESS OTHERWISE SPECIFIED DIMENSIONS ARE IN INCHES TOLERANCES ON:		DR P FORTNEY 6/4/87	AMP INCORPORATED Harrisburg, Pa. 17105	
2 PL DEC ± -		CHK G YETTER 1/6/88		
3 PL DEC ± .015		APPD RP FRANTZ 1/7/88	NAME	
ANGLES ± -		APPD TL SHUTTER 1/12/88	RING, AMPLIVAR	
MATERIAL	T1 BRASS	PRODUCT SPEC	SIZE	B
FINISH	SEE TABLE	APPLICATION SPEC	FSCM NO	00779
		WEIGHT	DRAWING NO	60320
			SCALE	6:1
			SHEET	1 OF 1