



Chipsmall Limited consists of a professional team with an average of over 10 year of expertise in the distribution of electronic components. Based in Hongkong, we have already established firm and mutual-benefit business relationships with customers from,Europe,America and south Asia,supplying obsolete and hard-to-find components to meet their specific needs.

With the principle of "Quality Parts,Customers Priority,Honest Operation,and Considerate Service",our business mainly focus on the distribution of electronic components. Line cards we deal with include Microchip,ALPS,ROHM,Xilinx,Pulse,ON,Everlight and Freescale. Main products comprise IC,Modules,Potentiometer,IC Socket,Relay,Connector.Our parts cover such applications as commercial,industrial, and automotives areas.

We are looking forward to setting up business relationship with you and hope to provide you with the best service and solution. Let us make a better world for our industry!



Contact us

Tel: +86-755-8981 8866 Fax: +86-755-8427 6832

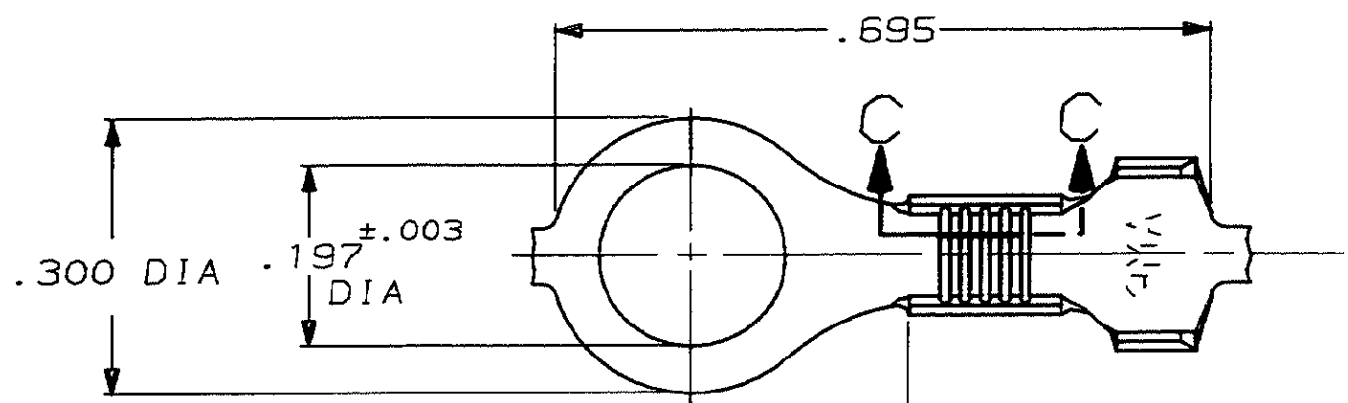
Email & Skype: info@chipsmall.com Web: www.chipsmall.com

Address: A1208, Overseas Decoration Building, #122 Zhenhua RD., Futian, Shenzhen, China

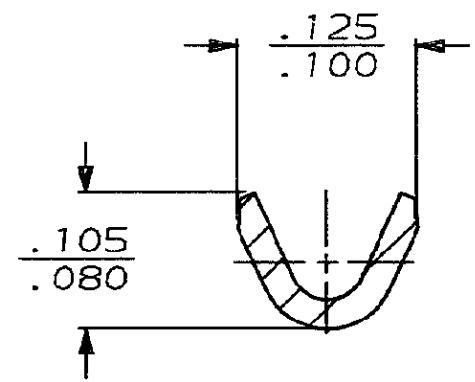
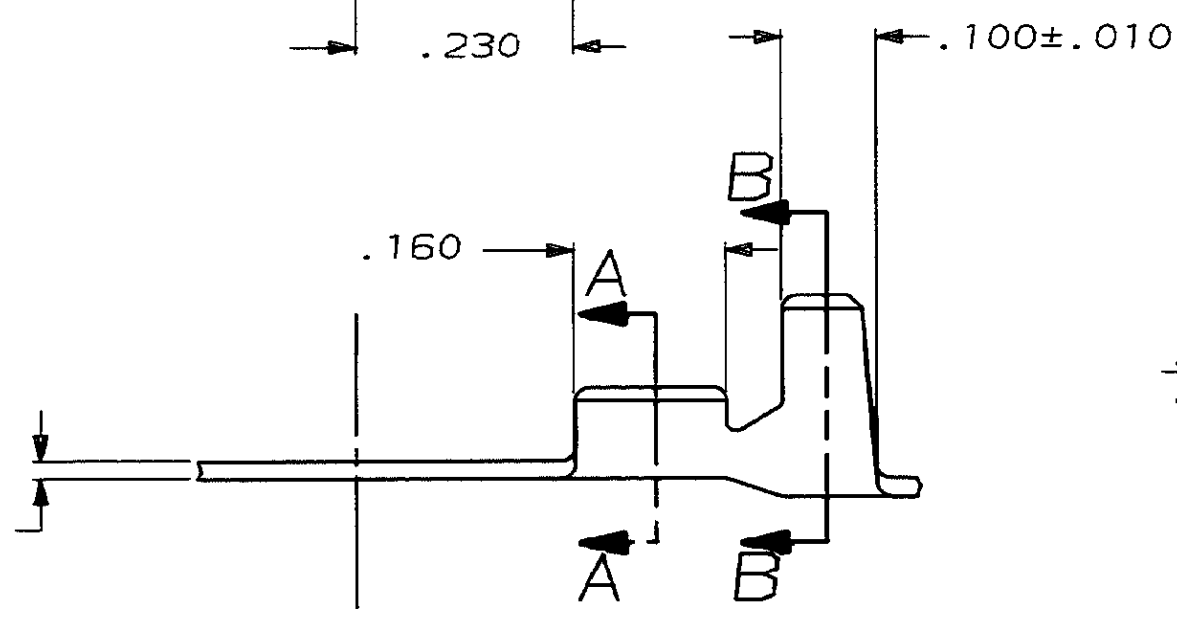


THIS DRAWING IS UNPUBLISHED. RELEASED FOR PUBLICATION .19
© COPYRIGHT 19 BY AMP INCORPORATED. ALL INTERNATIONAL RIGHTS RESERVED.

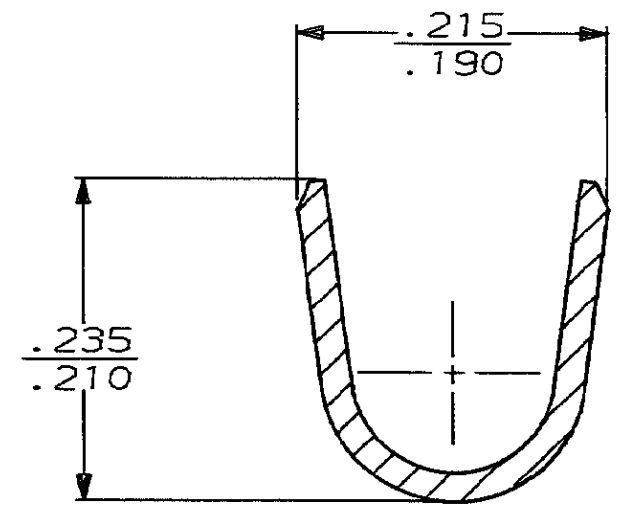
LOC	DIST	P	F	ZONE	LTR	DESCRIPTION	DATE	APPD
AF	50				F	REDRAWN PER AF-6568	PF/JR	2/28/90



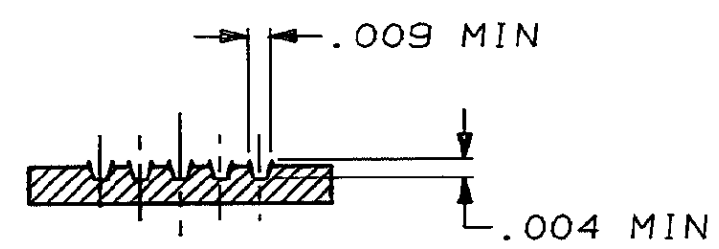
1 CONTINUOUS STRIP ON REELS




SECTION A-A
SCALE 8:1



SECTION B-B
SCALE 8:1



SECTION C-C
SCALE 10:1

	.125-.165 DIA	23-19 AWG	60325-2
	INSULATION RANGE	MAGNET WIRE RANGE	PART NO
DO NOT SCALE PRINT. UNLESS SPECIFIED DIMENSIONS IN INCHES TOLERANCES ON: 2 PLC DEC ± - 3 PLC DEC ± .015 ANGLES ± -	DR 3/1/90 P FORTNEY	 AMP INCORPORATED Harrisburg, Pa. 17105	
MATERIAL #2 HARD BRASS	CHK 3/1/90 MS FEHER		
FINISH .000080 MIN TIN PL PER MIL-T-10727	APPD 3/1/90 G YETTER	NAME #10 STUD, RING, AMPLIVAR	
	APPD 3/10/90 R KUZO	SIZE B	CAGE CODE 00779
	PRODUCT SPEC -	SCALE 5:1	DRAWING NO 60325
	APPLICATION SPEC -		SHEET 1 OF 1
	WEIGHT -		

CUSTOMER DRAWING