



Chipsmall Limited consists of a professional team with an average of over 10 year of expertise in the distribution of electronic components. Based in Hongkong, we have already established firm and mutual-benefit business relationships with customers from,Europe,America and south Asia,supplying obsolete and hard-to-find components to meet their specific needs.

With the principle of “Quality Parts,Customers Priority,Honest Operation,and Considerate Service”,our business mainly focus on the distribution of electronic components. Line cards we deal with include Microchip,ALPS,ROHM,Xilinx,Pulse,ON,Everlight and Freescale. Main products comprise IC,Modules,Potentiometer,IC Socket,Relay,Connector.Our parts cover such applications as commercial,industrial, and automotives areas.

We are looking forward to setting up business relationship with you and hope to provide you with the best service and solution. Let us make a better world for our industry!



Contact us

Tel: +86-755-8981 8866 Fax: +86-755-8427 6832

Email & Skype: info@chipsmall.com Web: www.chipsmall.com

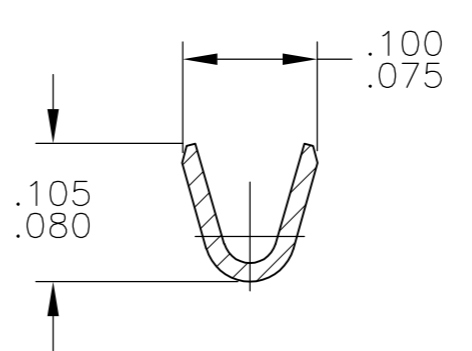
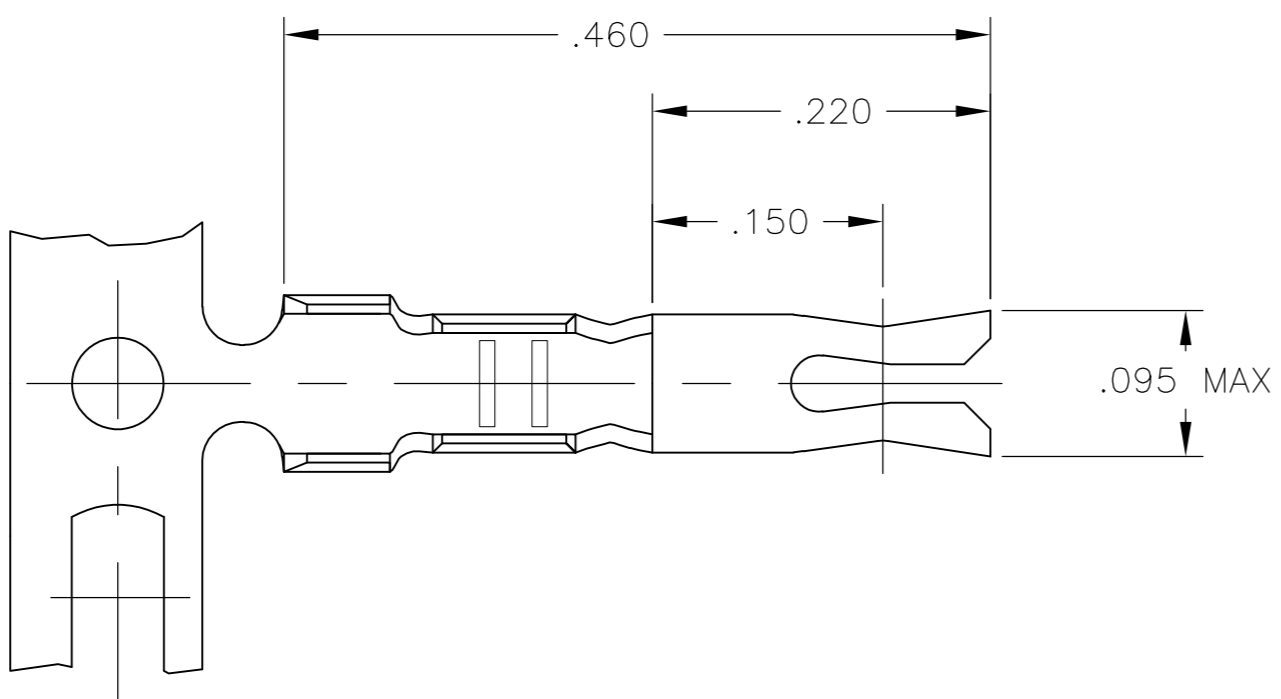
Address: A1208, Overseas Decoration Building, #122 Zhenhua RD., Futian, Shenzhen, China



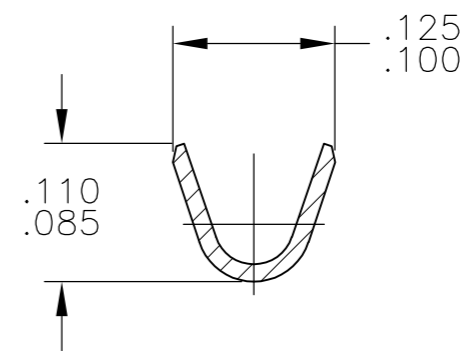
THIS DRAWING IS UNPUBLISHED. RELEASED FOR PUBLICATION
 © COPYRIGHT BY TYCO ELECTRONICS CORPORATION. ALL INTERNATIONAL RIGHTS RESERVED.

LOC	DIST	REVISIONS			
P	LTR	DESCRIPTION	DATE	DWN	APVD
AF	50	E1	REDRAWN PER ECR-08-032847	09FEB09	HMR JR

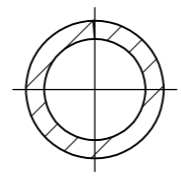
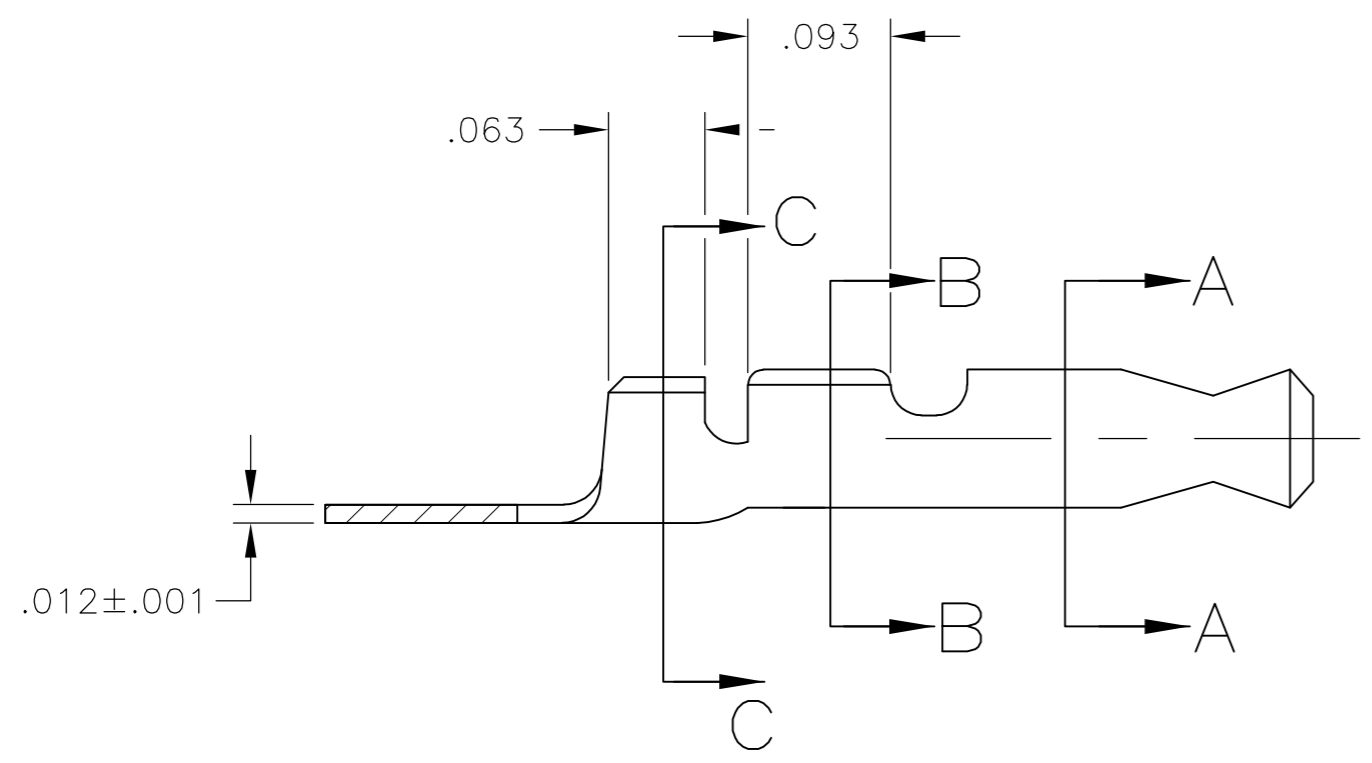
- 1 CONTINUOUS STRIP ON REELS.
- 2 WIRE RANGE: #24 - #20
INSULATION RANGE: .048 - .071



SECTION B-B



SECTION C-C



SECTION A-A

OBSOLETE	REVERSE REEL	.050	TIN	BE CU	60348-6
OBSOLETE		.050	TIN	BE CU	60348-5
	REVERSE REEL	.050	TIN	PHOS. BRONZE	60348-4
OBSOLETE	REVERSE REEL	.050	SILVER	PHOS. BRONZE	60348-3
OBSOLETE		.050	TIN	PHOS. BRONZE	60348-2
OBSOLETE		.050	SILVER	PHOS. BRONZE	60348-1

REMARKS	PIN DIA ±.001	FINISH	MATERIAL	TERMINAL NUMBER
THIS DRAWING IS A CONTROLLED DOCUMENT.				
DIMENSIONS: INCHES		TOLERANCES UNLESS OTHERWISE SPECIFIED:		DWN RAGHAVENDRA 09FEB09
0 PLC ± -		1 PLC ± -		CHK JEFF RUTH 09FEB09
2 PLC ± -		3 PLC ± .015		APVD DON DECKER 09FEB09
4 PLC ± -		ANGLES ± 1°		NAME
MATERIAL SEE TABLE		FINISH SEE TABLE		Tyco Electronics Corporation Harrisburg, PA 17105-3608
		WEIGHT -		SIZE A2 CAGE CODE 00779 C=60348
		CUSTOMER DRAWING		DRAWING NO. RESTRICTED TO
		SCALE 8:1		SHEET 1 of 1
				REV E1