



Chipsmall Limited consists of a professional team with an average of over 10 year of expertise in the distribution of electronic components. Based in Hongkong, we have already established firm and mutual-benefit business relationships with customers from,Europe,America and south Asia,supplying obsolete and hard-to-find components to meet their specific needs.

With the principle of “Quality Parts,Customers Priority,Honest Operation,and Considerate Service”,our business mainly focus on the distribution of electronic components. Line cards we deal with include Microchip,ALPS,ROHM,Xilinx,Pulse,ON,Everlight and Freescale. Main products comprise IC,Modules,Potentiometer,IC Socket,Relay,Connector.Our parts cover such applications as commercial,industrial, and automotives areas.

We are looking forward to setting up business relationship with you and hope to provide you with the best service and solution. Let us make a better world for our industry!



Contact us

Tel: +86-755-8981 8866 Fax: +86-755-8427 6832

Email & Skype: info@chipsmall.com Web: www.chipsmall.com

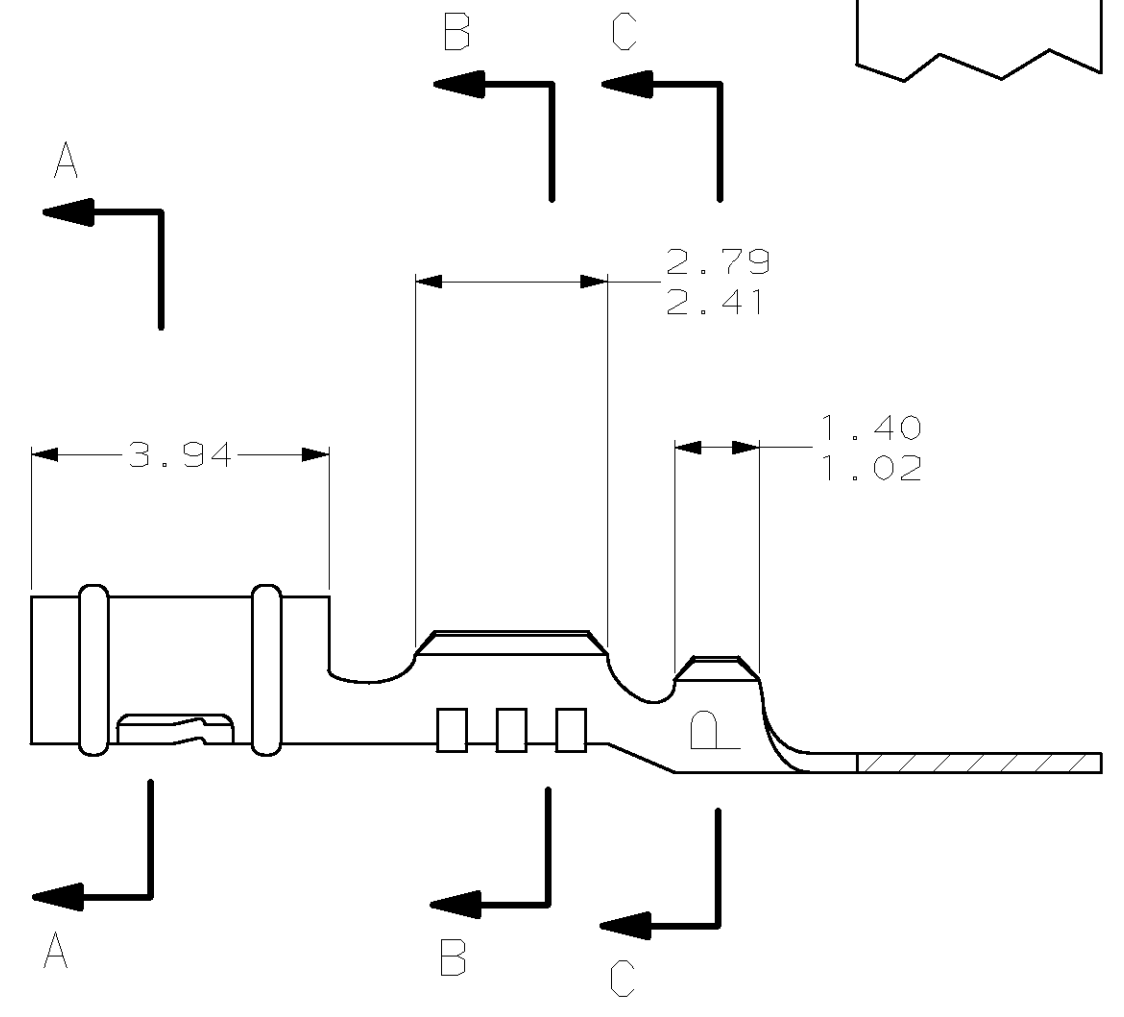
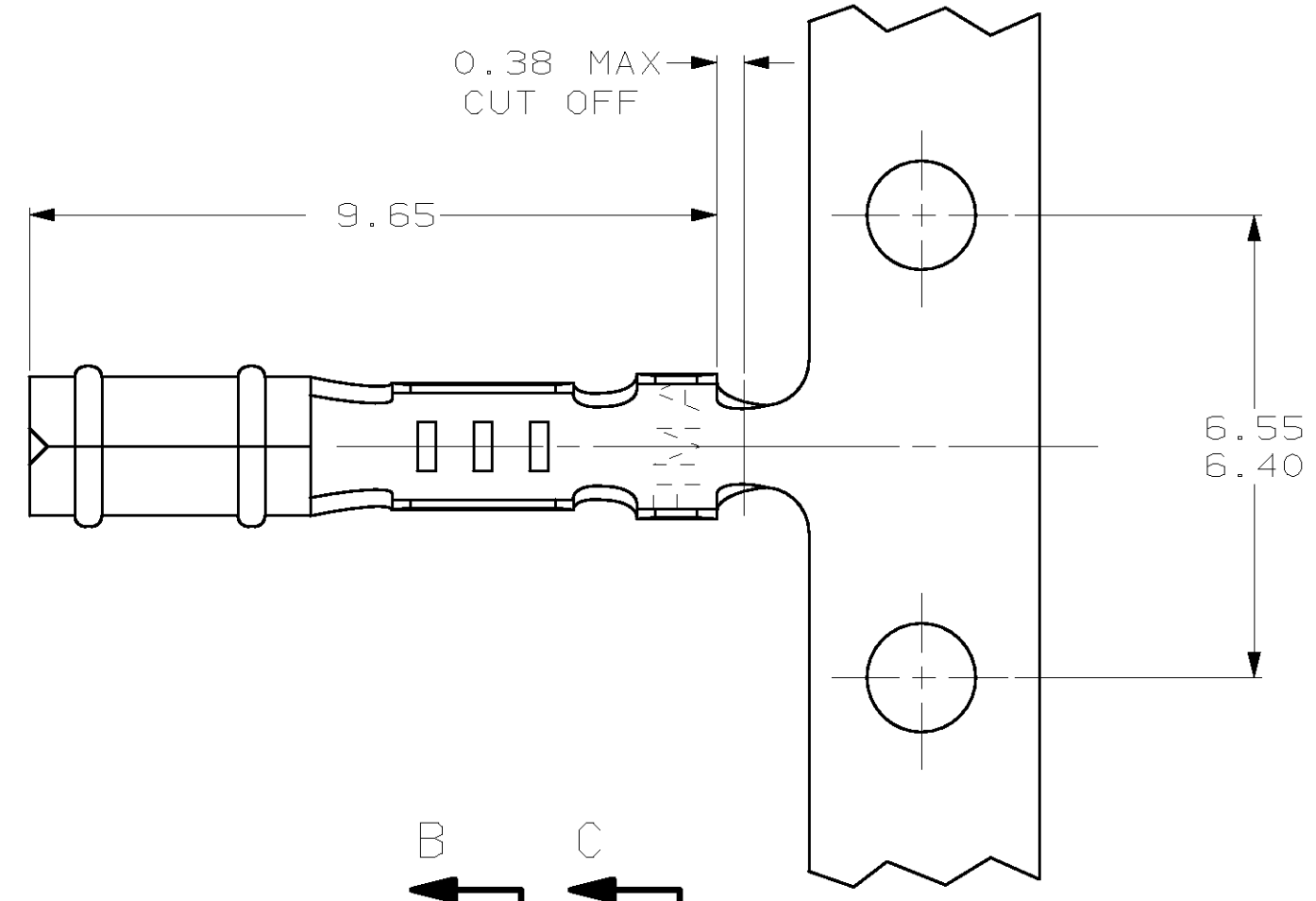
Address: A1208, Overseas Decoration Building, #122 Zhenhua RD., Futian, Shenzhen, China



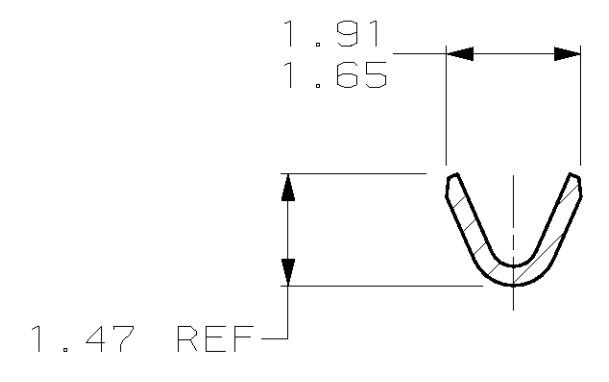
THIS DRAWING IS UNPUBLISHED. RELEASED FOR PUBLICATION
 (C) COPYRIGHT 19 BY AMP INCORPORATED. ALL RIGHTS RESERVED.

LOC	DIST	REVISIONS			
P	LTR	DESCRIPTION	DATE	DWN	APVD
CM	52	AG	REV & REDWN PER EC 0L30-0164-97	4-29-97	TB RS

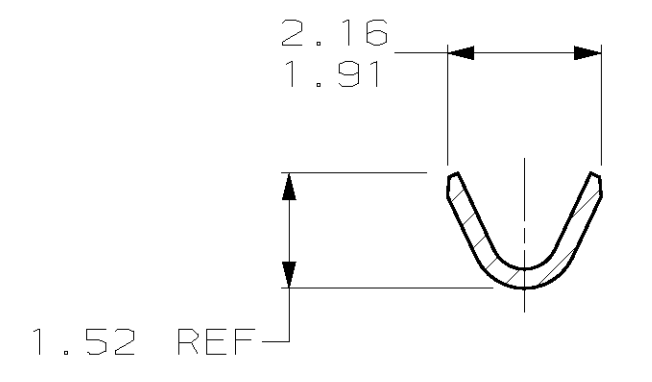
1. WIRE RANGE: 0.08 - 0.15 MM² (28 - 26 AWG)
2. INSULATION RANGE: 0.89 - 1.14
- 3 REVERSED REELED.



SECTION A-A



SECTION B-B



SECTION C-C

PRE-TIN	0.25 PH BRZ	60354-7
PRE-TIN	0.25 PH BRZ	60354-2
FINISH	MATERIAL	PART NUMBER

1.14	.045	1.65	.065	6.40	.252	-	-
1.02	.040	1.52	.060	3.94	.155	-	-
0.89	.035	1.486	.0585	2.79	.110	-	-
0.38	.015	1.47	.058	2.41	.095	-	-
0.25	.010	1.40	.055	2.16	.085	9.65	.380
0.13	.005	1.359	.0535	1.91	.075	6.55	.258
MM	IN	MM	IN	MM	IN	MM	IN

CONVERSION TABLE

METRIC

THIS DRAWING IS A CONTROLLED DOCUMENT.

DIMENSIONS:	TOLERANCES UNLESS OTHERWISE SPECIFIED:	DWN	4-29-97
mm		T. BECK	
		CHK	4-29-97
		R. SWING	
		APVD	8-22-97
		A. BEDDICK	
		PRODUCT SPEC	
		108-1025	
		APPLICATION SPEC	
		114-1008	
MATERIAL	FINISH	WEIGHT	RESTRICTED TO
SEE TABLE	SEE TABLE	-	A2 00779 C-60354
		CUSTOMER DRAWING	SCALE 10:1 SHEET 1 OF 1 REV AG

AMP Incorporated
Harrisburg, PA 17105-3608

RECEPTACLE, .058 DIAMETER,
28-26 AWG, .035-.045
INSULATION, P.C. CONTACT