



Chipsmall Limited consists of a professional team with an average of over 10 year of expertise in the distribution of electronic components. Based in Hongkong, we have already established firm and mutual-benefit business relationships with customers from,Europe,America and south Asia,supplying obsolete and hard-to-find components to meet their specific needs.

With the principle of "Quality Parts,Customers Priority,Honest Operation,and Considerate Service",our business mainly focus on the distribution of electronic components. Line cards we deal with include Microchip,ALPS,ROHM,Xilinx,Pulse,ON,Everlight and Freescale. Main products comprise IC,Modules,Potentiometer,IC Socket,Relay,Connector.Our parts cover such applications as commercial,industrial, and automotives areas.

We are looking forward to setting up business relationship with you and hope to provide you with the best service and solution. Let us make a better world for our industry!



Contact us

Tel: +86-755-8981 8866 Fax: +86-755-8427 6832

Email & Skype: info@chipsmall.com Web: www.chipsmall.com

Address: A1208, Overseas Decoration Building, #122 Zhenhua RD., Futian, Shenzhen, China



THIS DRAWING IS UNPUBLISHED.

RELEASED FOR PUBLICATION

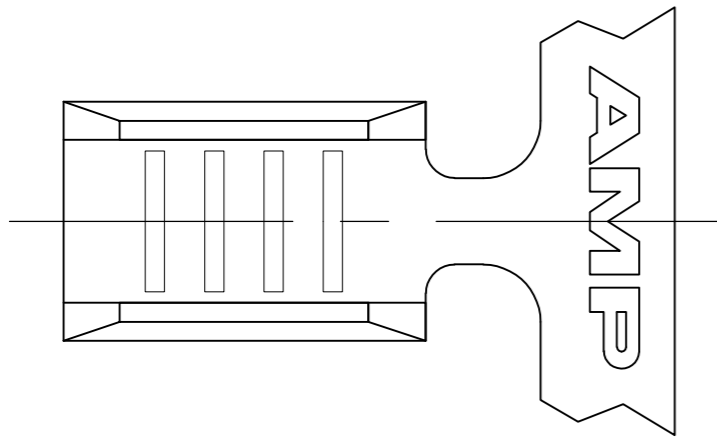
© COPYRIGHT BY TYCO ELECTRONICS CORPORATION.

ALL INTERNATIONAL RIGHTS RESERVED.

LOC AF DIST 50

REVISIONS

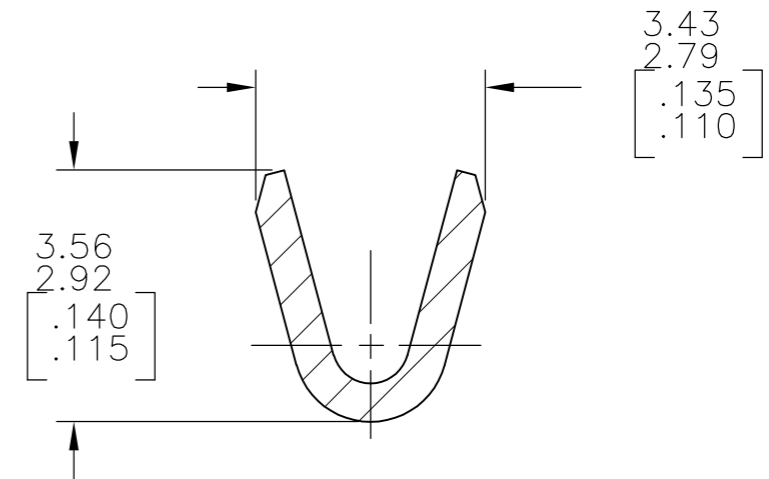
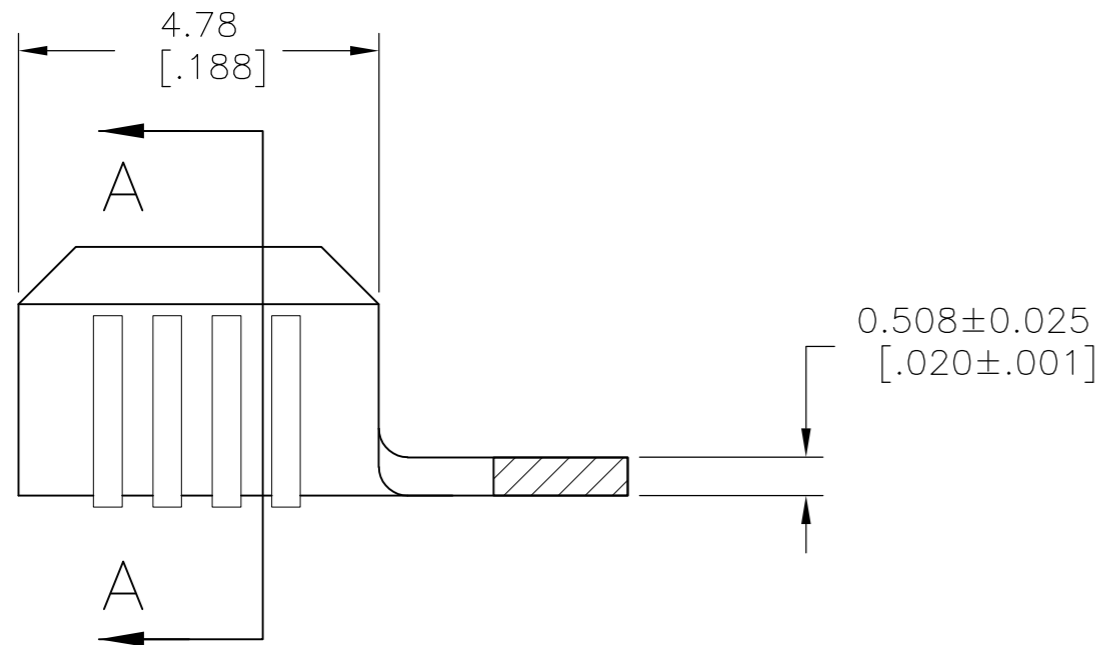
P	LTR	DESCRIPTION	DATE	DWN	APVD
	K1	REVISED PER ECR-08-016766	18JUL08	HMR	DL



- 1 CONTINUOUS STRIP ON REEL.
- 2 CRIMP WIDTH: .090 F TYPE
CRIMP HEIGHT: $(\pm.002) = (\text{TOTAL CMA} + 8300) / 145,800$
FOR APPLICATOR INFORMATION CALL: 1-800-722-1111
FOR PRODUCT INFORMATION CALL: 1-800-522-6752

3 0.002032 [.000080] MIN TIN PLATE.

4 PRELIMINARY - NOT FOR PRODUCTION.



SECTION A-A

FINISH	MATERIAL	WIRE RANGE	PART NUMBER
3	H00 COPPER	1200-2600 CMA	4 60372-5
OBSOLETE	TA STAINLESS STEEL	1200-2600 CMA	60372-4
OBSOLETE	T3 CR STEEL	1200-2600 CMA	60372-3
OBSOLETE	082 BRASS	1200-2600 CMA	60372-2
-	082 BRASS	1200-2600 CMA	60372-1

THIS DRAWING IS A CONTROLLED DOCUMENT.		DWN 24/JAN/97 PHILLIP M FORTNEY	Tyco Electronics Corporation Harrisburg, PA 17105-3608													
DIMENSIONS: mm [INCHES]		CHK 24/JAN/97 JEFF R RUTH	NAME													
TOLERANCES UNLESS OTHERWISE SPECIFIED:		APVD 24/JAN/97 DENNIS SCHWENK	SPLICE													
<table border="0"> <tr><td>0 PLC</td><td>± -</td></tr> <tr><td>1 PLC</td><td>± -</td></tr> <tr><td>2 PLC</td><td>± 0.25 [.010]</td></tr> <tr><td>3 PLC</td><td>± -</td></tr> <tr><td>4 PLC</td><td>± -</td></tr> <tr><td>ANGLES</td><td>± -</td></tr> </table>		0 PLC	± -	1 PLC	± -	2 PLC	± 0.25 [.010]	3 PLC	± -	4 PLC	± -	ANGLES	± -	PRODUCT SPEC -	APPLICATION SPEC 114-2088	RESTRICTED TO -
0 PLC	± -															
1 PLC	± -															
2 PLC	± 0.25 [.010]															
3 PLC	± -															
4 PLC	± -															
ANGLES	± -															
MATERIAL SEE TABLE	FINISH SEE TABLE	WEIGHT -	SIZE A3	CAGE CODE 00779												
CUSTOMER DRAWING		DRAWING NO C-60372	SCALE 10:1	SHEET 1 OF 1												
		REV K1														