



Chipsmall Limited consists of a professional team with an average of over 10 year of expertise in the distribution of electronic components. Based in Hongkong, we have already established firm and mutual-benefit business relationships with customers from,Europe,America and south Asia,supplying obsolete and hard-to-find components to meet their specific needs.

With the principle of “Quality Parts,Customers Priority,Honest Operation,and Considerate Service”,our business mainly focus on the distribution of electronic components. Line cards we deal with include Microchip,ALPS,ROHM,Xilinx,Pulse,ON,Everlight and Freescale. Main products comprise IC,Modules,Potentiometer,IC Socket,Relay,Connector.Our parts cover such applications as commercial,industrial, and automotives areas.

We are looking forward to setting up business relationship with you and hope to provide you with the best service and solution. Let us make a better world for our industry!



Contact us

Tel: +86-755-8981 8866 Fax: +86-755-8427 6832

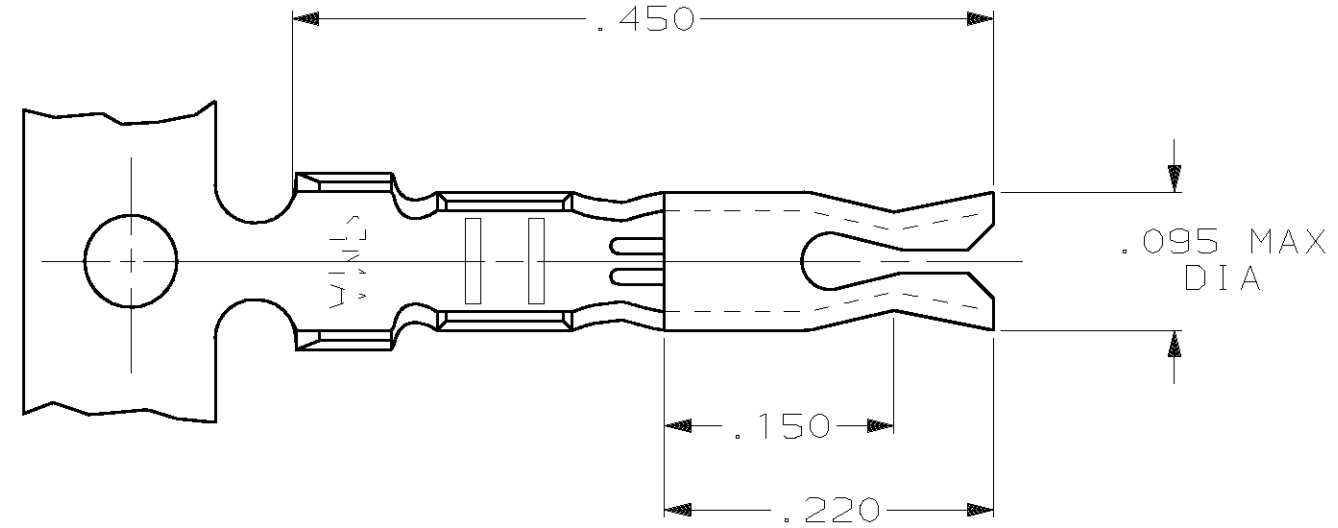
Email & Skype: info@chipsmall.com Web: www.chipsmall.com

Address: A1208, Overseas Decoration Building, #122 Zhenhua RD., Futian, Shenzhen, China

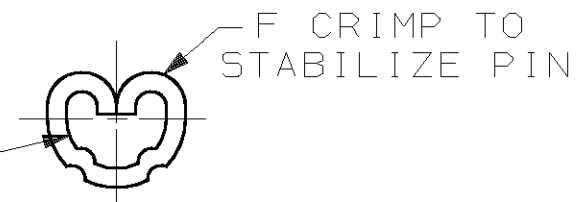


THIS DRAWING IS UNPUBLISHED. RELEASED FOR PUBLICATION, 19
 © COPYRIGHT 19 BY AMP INCORPORATED. ALL INTERNATIONAL RIGHTS RESERVED.

LOC	DIST	P	F	REVISIONS			DATE	APPD
AF	50			ZONE	LTR	DESCRIPTION		
					AE	OBS -2 PER 0G3A-0533-00	01MAR01	JR/DD

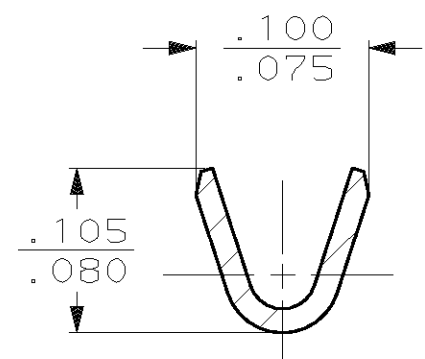
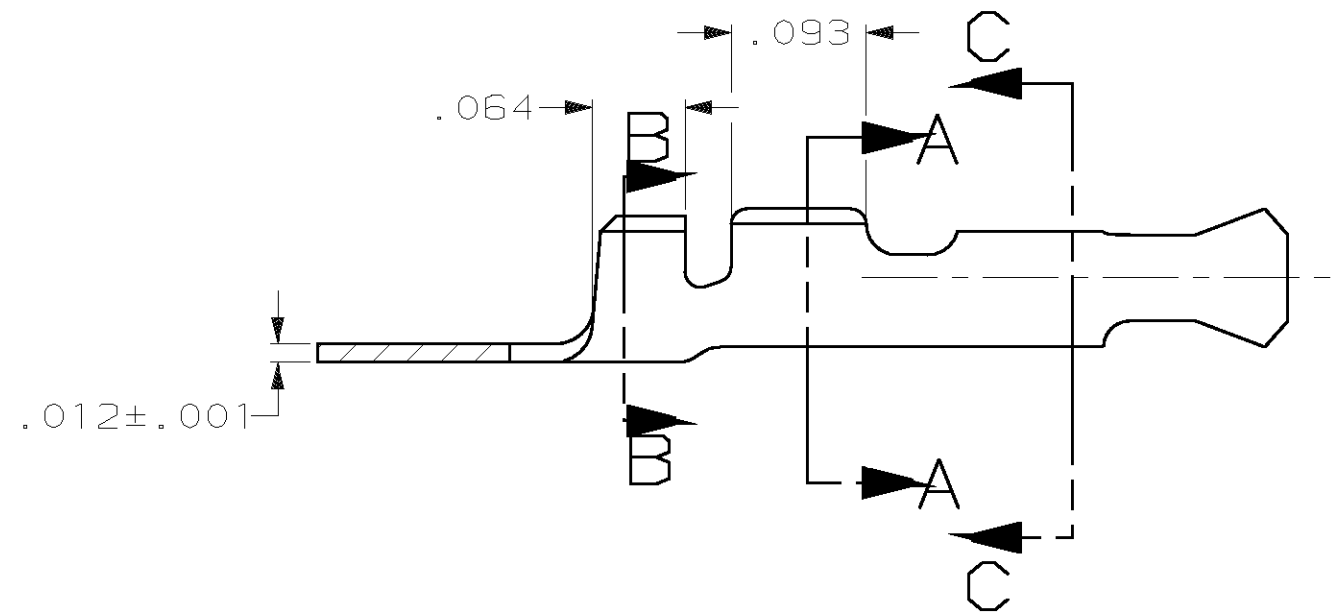


- 1 CONTINUOUS STRIP ON REELS
- 2 60373-4 IS REVERSE REELED.

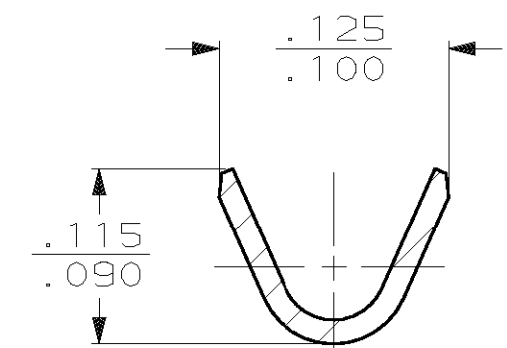


SECTION C-C

FITS .032±.001 DIA PIN



SECTION A-A
SCALE 10:1



SECTION B-B
SCALE 10:1

OBSOLETE	2	.048-.071 DIA	24-20 AWG	60373-4
		.048-.071 DIA	24 20 AWG	60373 2

TYPE	WIDTH	STRIP LENGTH ±.015	TYPE	WIDTH	±.002 HEIGHT	WIRE
F	.080	.150	F	.062	.046	20
					.043	22
					.040	24
INSUL BARREL CRIMP			WIRE BARREL CRIMP			

INSULATION RANGE		WIRE RANGE	PART NO
DR 4/24/90 P FORTNEY			
CHK 4/24/90 JR RUTH			
APPD 4/24/90 G YETTER			
APPD 4/24/90 R KUZD			
PRODUCT SPEC		AMP AMP Incorporated Harrisburg, PA 17105-3608	
NAME PIN RECEPTACLE, .032 DIA			
SIZE	CAGE CODE	DRAWING NO	
B	00779	60373	
SCALE	8:1	SHEET	1 OF 1